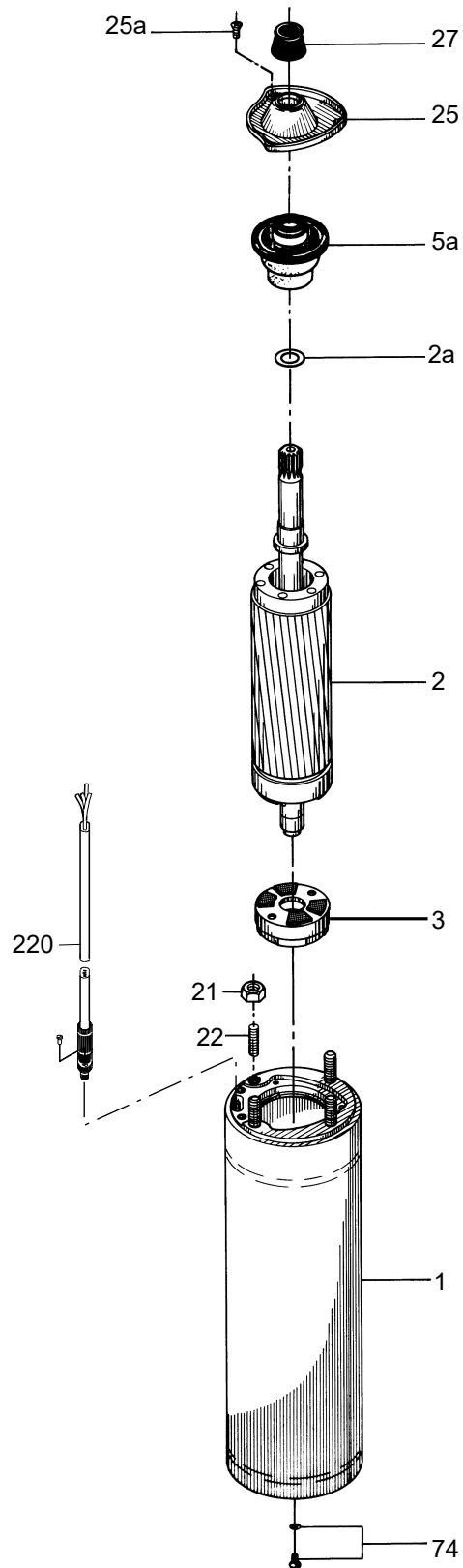


48. MS**MS 402****50/60 Hz, 0.37-2.2 kW****Seal kit**

Pos.	Description	Metric	UNF
	Kit No	96558088	96558241
2a	Stop ring	1	1
5a	Bearing with bellows, NBR	1	1
21	Nut, M8	4	-
	Nut, 5/16"-24 UNF	-	4
22	Staybolt	M8 x M8	4
		M8 x 5/16"-24 UNF	-
25	Cover plate	1	1
25a	Screw M4 x 8	3	3
27	Sand shield	1	1
74	Screw M4 x 8, with gasket	1	1

MS 402



TM004936

MS6**50/60 Hz, 3.7-30 kW****Bearing retainer**

Pos.	Description	3.7 - 9.2 kW		11-30 kW	
		Graphite	WC	Graphite	WC
		Kit No	96163683	96163685	96163684
205	Bearing retainer D-end cpl. 35	1	-	-	-
	Bearing retainer D-end cpl. 50	-	-	1	-
	Bearing retainer D-end cpl. SiC 30	-	1	-	1
236	Bearing retainer N-end cpl.	1	1	1	1
236a	Screw w/cup point	2	2	2	2

Cable

Pos.	Description	Lenght [m]	3 x 4 mm ² + 1 G 4 mm ²	3 x AWG 8 + 1 G AWG 8	4 x 1 x AWG 8	3 x 1 x AWG 8
220	Cable with plug	3	-	-	96163692	-
		5	96163690	96163691	-	96163693
		8	-	-	-	96163859
		10	96163836	96163847	-	-
		15	96163837	96163848	-	-
		20	96163838	96163849	-	-
		25	96163839	96163850	-	-
		30	96163840	96163851	-	-
		40	96163841	96163852	-	-
		50	96163842	96163853	-	-
		60	96163843	96163854	-	-
		67	-	-	96163858	-
		70	96163844	96163855	-	-
		80	96163845	96163856	-	-
		100	96163846	96163857	-	-

Diaphragm

Pos.	Description	NBR	FKM
	Kit No	96163863	96163921
212	Diaphragm	5	5

Filter

Pos.	Description	3.7 - 30 kW
	Kit No	96163923
207	Filter	5

O-ring

Pos.	Description	NBR	FKM
	Kit No	96163674	96163675
220a	O-ring 24 x 2.0 FKM	1	1
222b	O-ring 11 x 2 FKM	1	1
224	O-ring 128 x 3.0	2	2
231	O-ring 68 x 2.0	1	1

Shaft seal

Pos.	Description	Ceramic /carbon	SiC/SiC
	Kit No	96163671	96163672
226a	Shaft seal, stationary	1	1
226b	Shaft seal, rotating	1	1
229	Sand shield (FKM)	1	1
231	O-ring 66 x 2.0 FKM	1	1
232	Lip seal FKM	1	1

Shaft seal housing

Pos.	Description	1.4301	1.4539
	Kit No	96163870	96300021
226	Shaft seal housing	1	1

Thrust bearing

Pos.	Description	3.7 - 9.2 kW	11-30 kW
	Kit No	96163686	96163687
203	Thrust bearing, stationary	1	1
206	Thrust ring, rotating	1	1
209	Turbular pin	1	1
215	Screw countersunk	1	-
	Screw w/cup point	-	2
236a	Screw w/cup point	2	2
242	Upthrust spacer 7.5 kN (27.5 kN model B)	1	1
	Upthrust spacer (27.5 kN model A)	-	1

Thrust ring support, model A

Pos.	Description	3.7 - 9.2 kW	11-30 kW
	Kit No	96163688	96163689
208	Thrust ring support	1	1

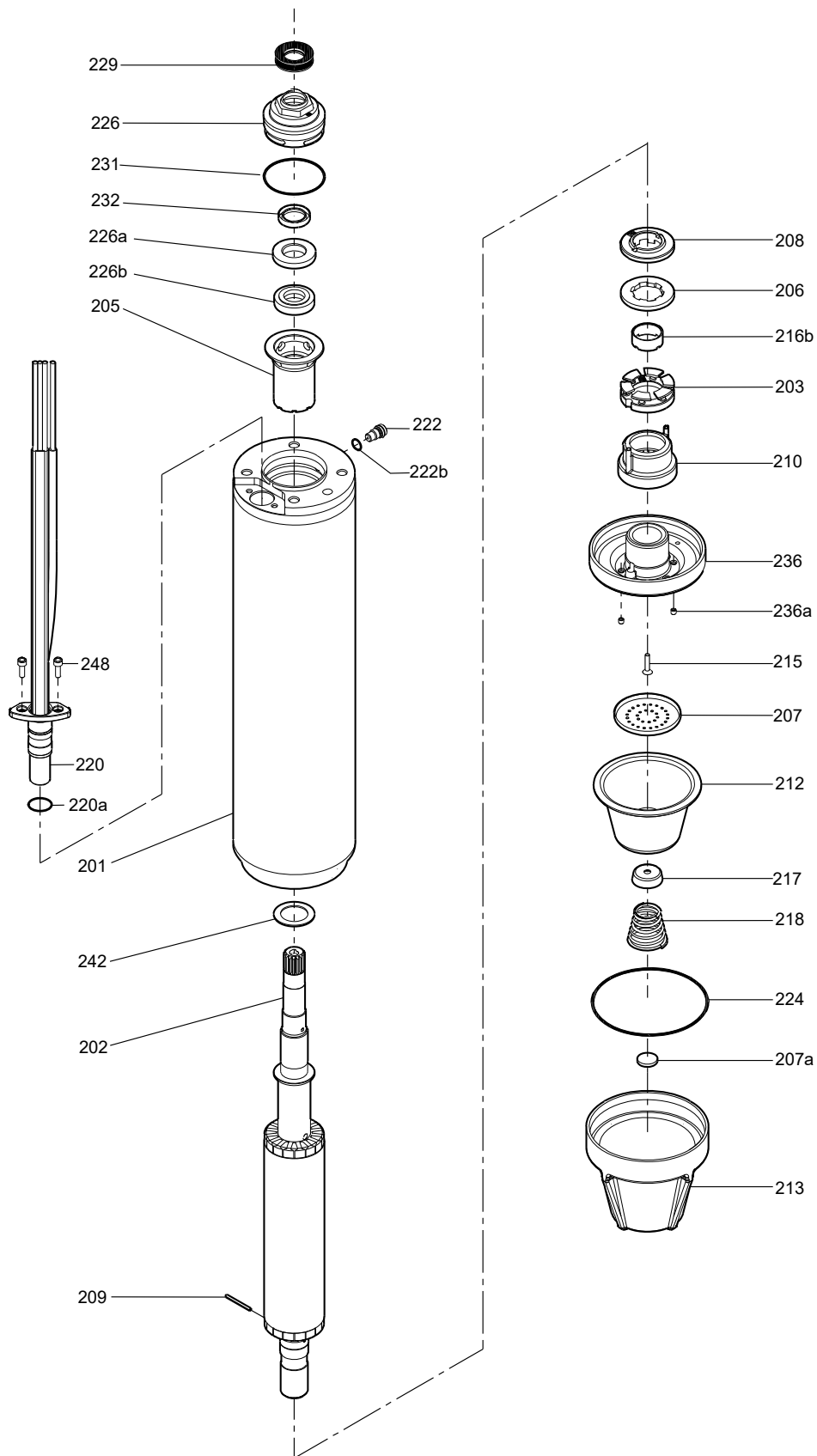
Thrust ring support, model B

Pos.	Description	3.7 - 9.2 kW	11-30 kW
	Kit No	96163919	96163920
208	Thrust ring support, cone	1	1
216d	O-ring 27.5 x 3.0 NBR	1	-
	O-ring 17.0 x 4.0 NBR	-	1

Valve

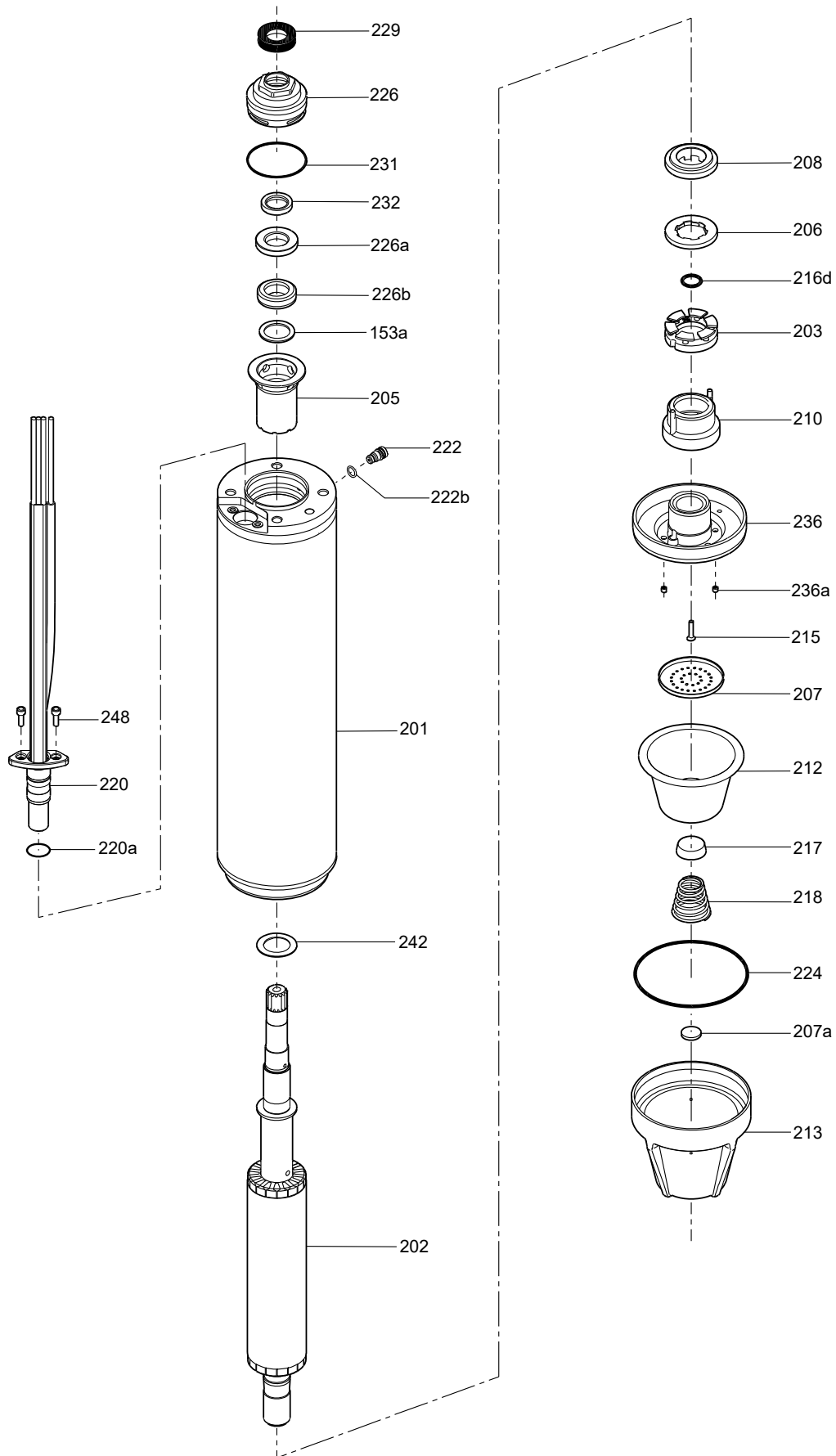
Pos.	Description	NBR	FKM
	Kit No	96163922	96300030
222	Valve cpl.	5	-
222	Plug M12 CPL.R	-	5
222b	Valve cpl.	5	5

3.7-9.2 kW



TM036155

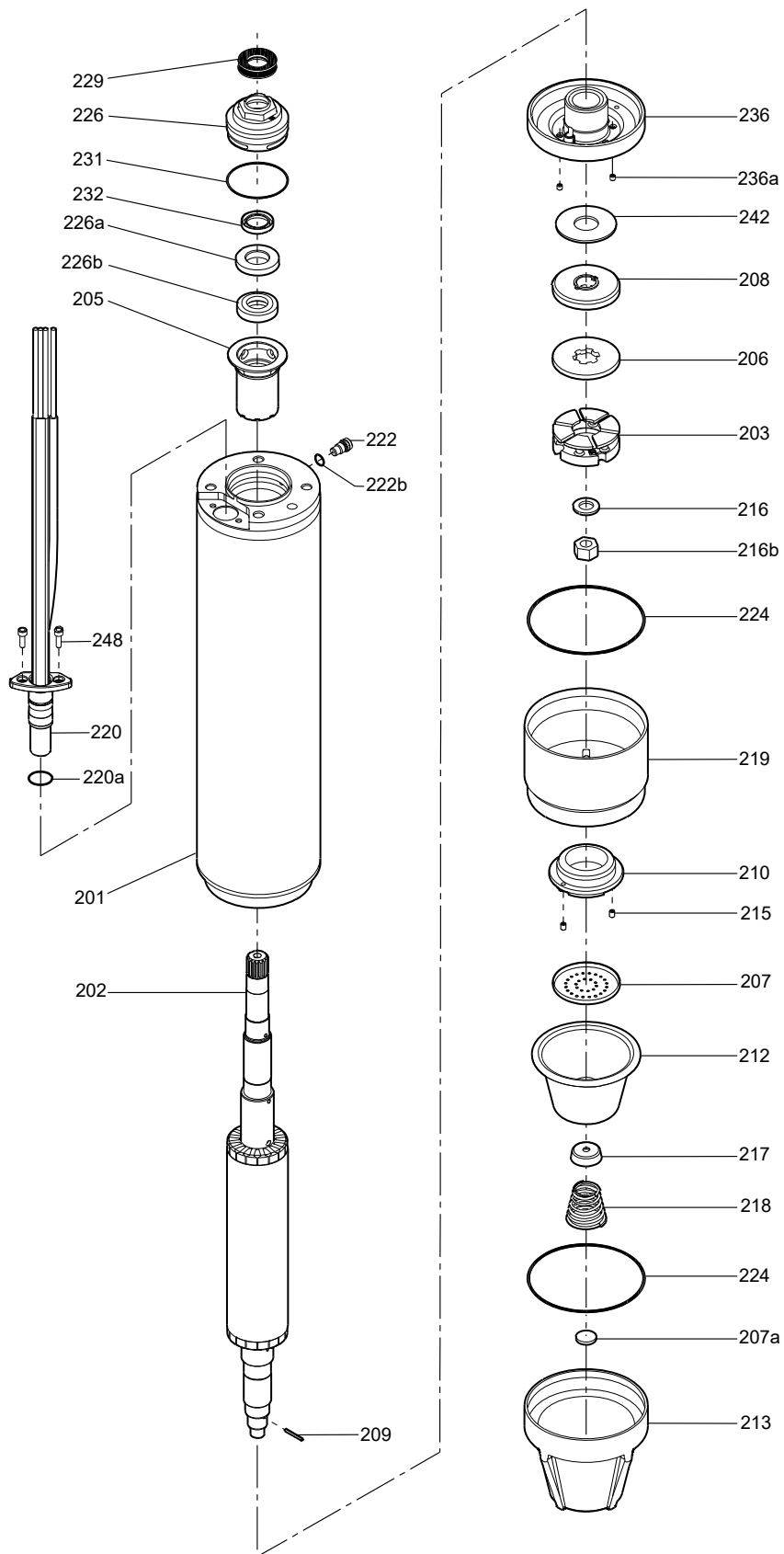
Model A



Model B

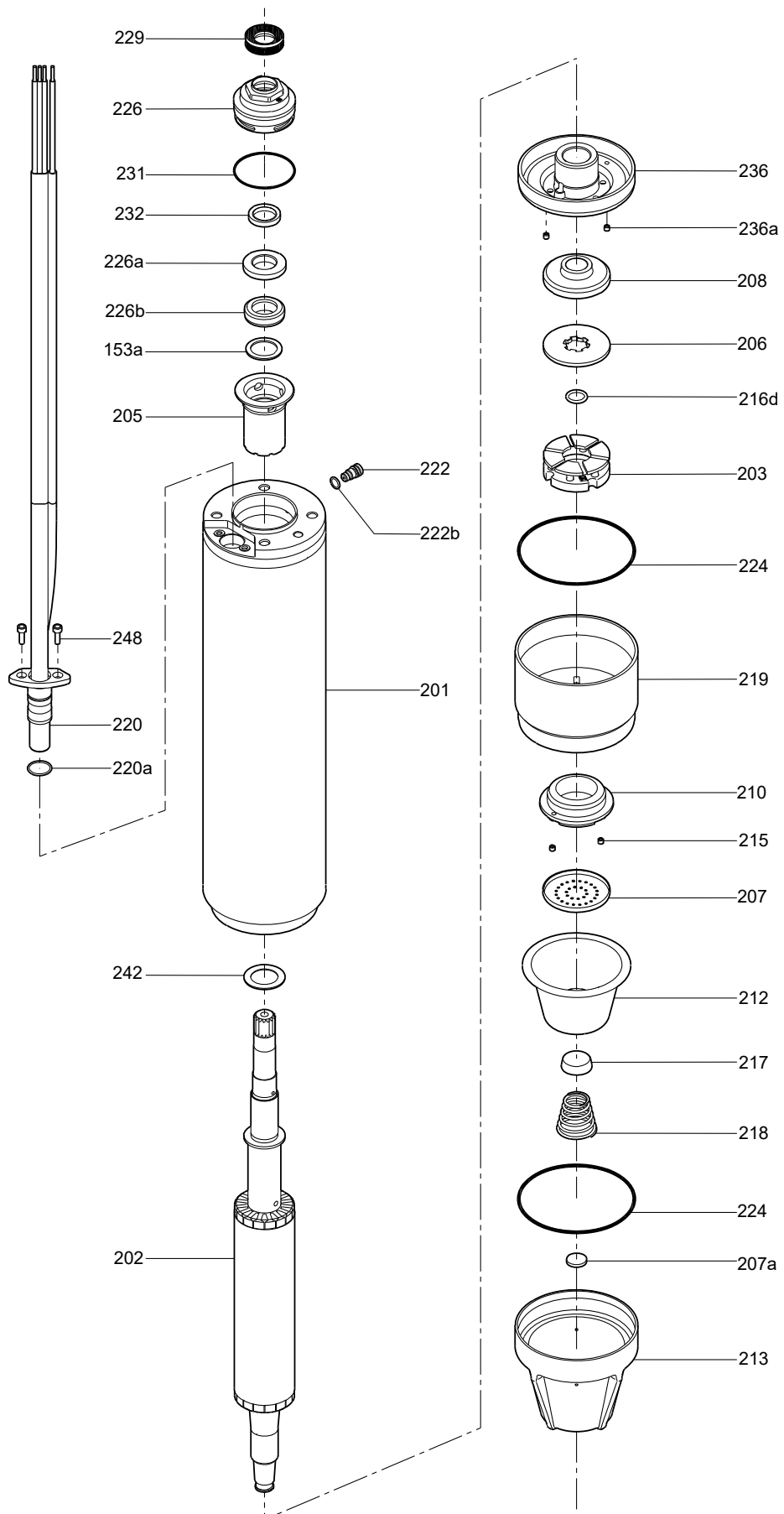
TM043716

11-30 kW



Model A

TM036188



Model B

TM043717

MS 4000**50/60 Hz, 0.75 - 7.5 kW****Radial bearing**

Pos.	Description	0.75 - 2.2 kW	3.0 - 5.5 kW	7.5 kW
	Kit No	96558320	96558321	96558322
4	Radial bearing	1	1	1
5	Bearing pipe	1	1	1

Seal kit

Pos.	Description	Seal faces / rubber	Tungsten carbide/ Al ₂ O ₃	SiC/SiC	SiC/SiC
	Kit No		96558323	96558324	96558325
12	Diaphragm	NBR	1	1	-
		FKM	-	-	1
22c	O-ring 4 x 1	NBR	1	1	-
		FKM	-	-	1
24	O-ring 40 x 2	NBR	1	1	1
		FKM	-	-	-
25	Shaft seal housing		1	1	1
27	Spline protector	NBR	1	1	-
		FKM	-	-	1
28	Supporting ring		1	1	1
29	Sand shield	NBR	1	1	-
		FKM	-	-	1
30	Spring		1	1	1
31	Supporting ring		1	1	1
32	Seal ring, upper	NBR	1	-	-
		FKM	-	1	1
34	Seal ring, lower	FKM	1	1	1
	O-ring for supply cable	15 x 1.5, NBR	2	2	-
		14.1 x 1.6, FKM	-	-	2

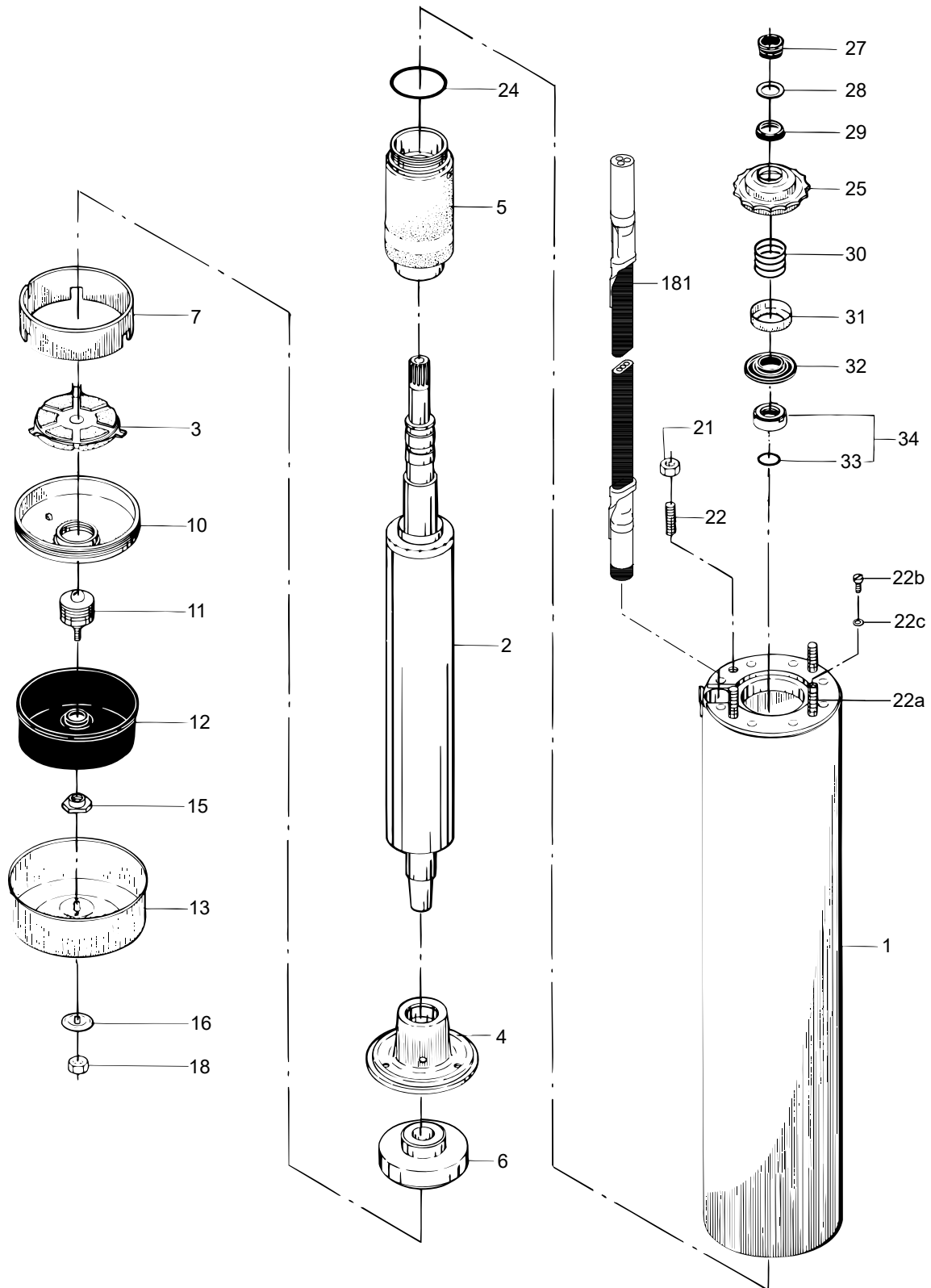
Staybolt

Pos.	Description	Metric	Metric R version	UNF	UNF R version
	Kit No	96558242	96558243	96558244	96558245
21	Nut	M8	4	4	-
		5/16" UNF	-	-	4
22	Staybolt	M8 x M8	3	3	-
		M8 x 5/16" UNF	-	-	3
22a	Staybolt	M8 x M8	1	1	-
		M8 x 5/16" UNF	-	-	1
22b	Cheese-head screw M4 x 5	1	1	1	1
22c	O-ring 4 x 1	1	1	1	1

Thrust bearing

Pos.	Description	0.75 - 5.5 kW	7.5 kW
	Kit No	96558247	96558249
3	Thrust bearing, rotating	1	1
6	Thrust bearing, stationary	1	1
7	Clamping ring	1	1
10	Bearing retainer	1	1
11	Adjusting screw	1	1
13	Cover	1	1
15	Nut for rubber diaphragm	1	1
16	Lock washer	1	1
18	Nut, M8	1	1

MS 4000



TM005071

MS 6000**50/60 Hz, Model B (5.5-30 kW)****End cover**

Pos.	Description	Standard version	R version
	Kit No	96558380	96558381
12	Diaphragm	NBR 1	-
		FKM -	1
13	End cover	1	1
46	Screw with washer	4	4

Radial bearing

Pos.	Description	All
	Kit No	96558412
4	Radial bearing	1
5	Bearing pipe	1

Screw

Pos.	Description	Standard version	R version
	Kit No	96558327	96558328
22	Screw 1/2" UNF x 32	4	4

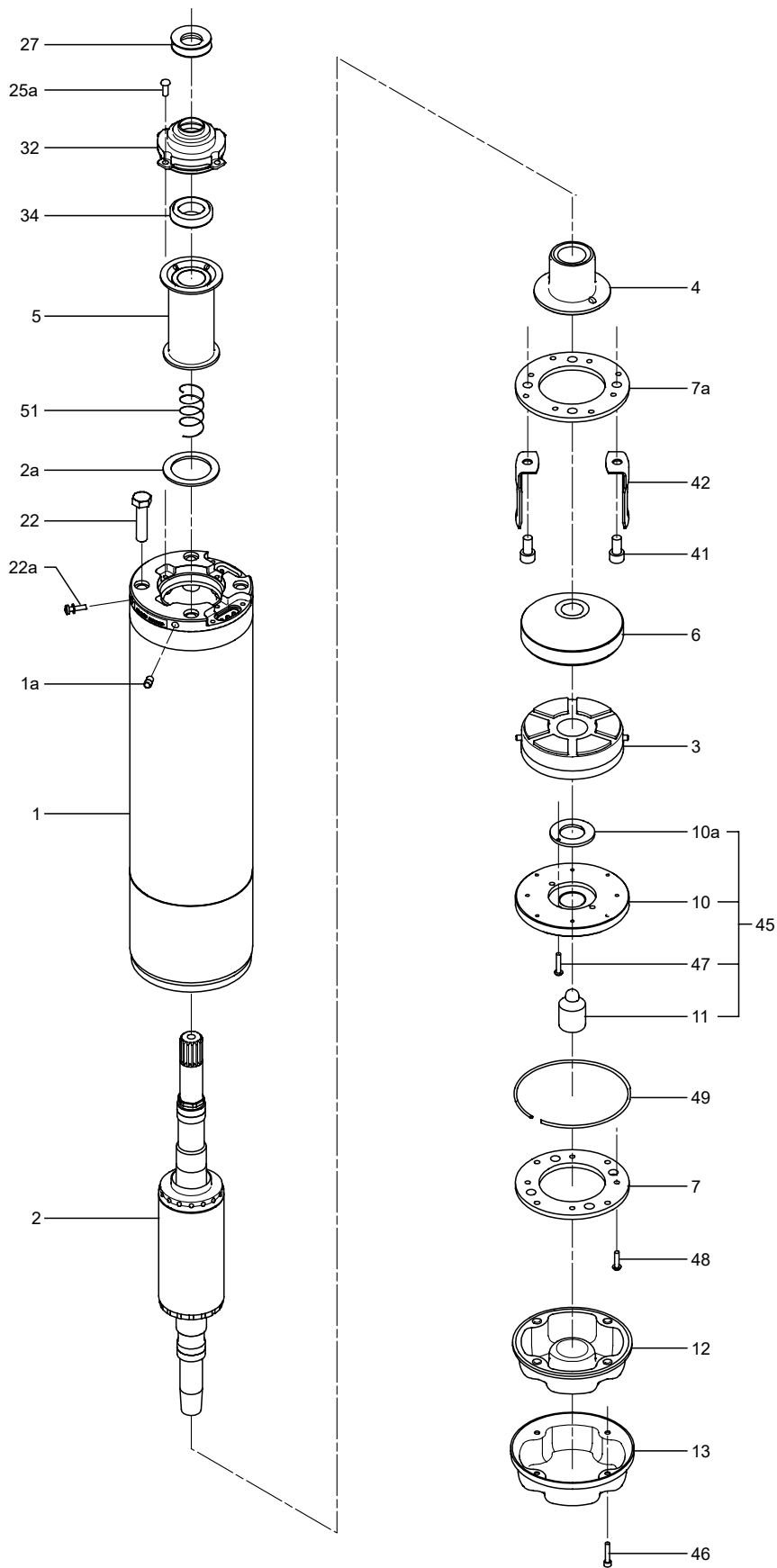
Seal kit

Pos.	Description	Carbon/ceramic	SiC/SiC
	Kit No	96558414	96558416
1a	Valve	1	-
	Plug	1	1
2a	Stop ring	1	1
12	Diaphragm	FKM 1	1
22a	Screw with washer	M5 x 20 1	1
25a	Screw	M6 x 15 4	4
27	Sand shield	FKM 1	1
32	Shaft seal	1	1
34	Seal ring	1	1
46	Screw with washer	M5 x 25 4	4

Thrust bearing

Pos.	Description	5.5 - 7.5 kW	9.2 - 30 kW
	Kit No	96558389	96558410
3	Thrust bearing, rotating	1	1
6	Thrust bearing, stationary	1	1
7	Clamping flange	2	2
41	Screw	4	4
42	Stop for bearing	2	2
45	Shaft adjusting unit	1	1
48	Screw	4	4
49	Spring	1	1

MS 6000



TM026425

96488862 06.2022

GRUNDFOS Holding A/S
Poul Due Jensens Vej 7
DK-8850 Bjerringbro
Tel: +45 87 50 14 00
www.grundfos.com

GRUNDFOS 