

OPAL XL

Cartridge Filter

For crystal clear, sparkling water



Opal XL cartridge filters are designed to house an extra large filter cartridge, maximising its dirt holding capacity and minimising filter maintenance.

The filter's dome lid is equipped with grip handles that allows easy access to the filter cartridge for removal, cleaning and installation in a matter of minutes.

The Opal XL cartridge filters are ideal for applications where back washing may not be practical or areas where water may be scarce.

Rugged Construction

Constructed from high impact polypropylene and designed for easy maintenance. The Opal XL cartridge filters will provide years of trouble free service.



Easy to read pressure gauge.

Air relief valve.

Dome shaped lid is equipped with grip handles that allowing simple cartridge removal and replacement.

Solid one piece moulded polymer tank. Low profile for easy cartridge removal and inconspicuous enclosure.

Tough heavy duty polyester filter fabric with wide and deep pleats for better filter efficiency, easy cleaning and longer cartridge life.

50mm quick connect barrel unions for UPVC pipe.

Extra Large Filter Cartridge

Opal XL filter cartridges are fabricated from pleated reusable polyester fabric. The extra larger size cartridge has been pleated to provide 225ft² (20.9m²) to 270ft² (25.1m²) of surface area maximising its dirt holding capacity and minimising filter maintenance.

Material: Polyester fabric material, plastisol end caps and a polypropylene core.

Operating Temperature: 4°C to 50°C **Maximum Pressure Drop:** 20 kPa



Simple Maintenance

The filter cartridge is easily cleaned by hosing the pleats with a standard garden hose.

Technical Specifications

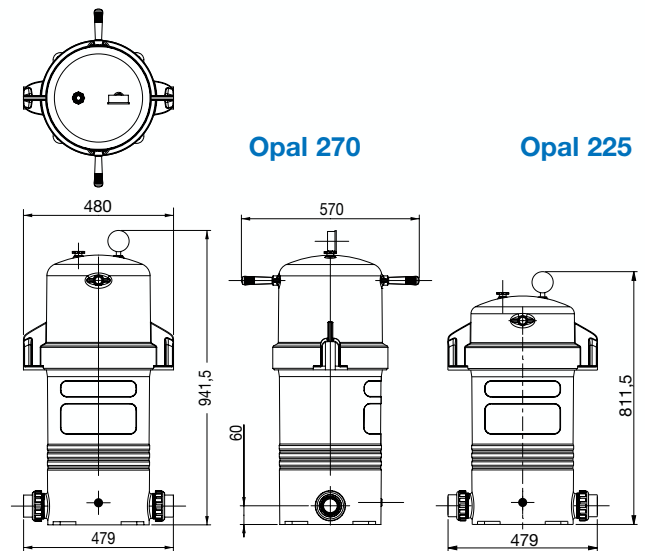
Model	Filter Area		Max Flow Rate lpm	Working Pressure		Max Pool Size litres
	(m ²)	(ft ²)		kPa	psi	
Opal 225	20.9	225	510	250	50	183,600
Opal 270	25.1	270	510	250	50	183,600

Warranty

Opal Filter (Tank)	10 Years (5 Years Full + 5 Years Pro Rata)
Other Components	1 Year
Labour	1 Year

Please refer to Waterco's warranty terms and conditions

Dimensions



* Minimum Clearance Height to Remove Cartridge (mm)

OFFICES - AUSTRALIA

NSW - Sydney (Head Office)
Tel: +61 2 9898 8600
QLD - Brisbane
Tel: +61 7 3299 9900
VIC/TAS - Melbourne
Tel: +61 3 9764 1211
WA - Perth
Tel: +61 8 9273 1900
SA/NT - Adelaide
Tel: +61 8 8244 6000
ACT Distribution
Tel: +61 2 6280 6476

OFFICES - OVERSEAS

Waterco (Europe) Limited
Sittingbourne, Kent, UK
Tel: +44 (0) 1795 521 733
Waterco (USA) Inc
Augusta, Georgia, USA
Tel: +1 706 793 7291
Waterco Canada
Longueuil, Quebec, Canada
Tel: +1 450 748 1421
Waterco (NZ) Limited
Auckland, New Zealand
Tel: +64 9 525 7570

Waterco (C) Limited
Guangzhou, China
Tel: +86 20 3222 2180
Waterco (Far East) Sdn Bhd
Selangor, Malaysia
Tel: +60 3 6145 6000
PT Waterco Indonesia
Jakarta, Indonesia
Tel: +62 21 4585 1481
Waterco Singapore Intl Pte Ltd
Nehsons Building, Singapore
Tel: +65 6344 2378

DISTRIBUTED BY:

Chainaris Phuket Engineering Co., Ltd.

63/13 Moo.2,T.Vichit, A.Muang Phuket 83000

Tel: 076-513100-3 Fax: 076-513105

Line: @chainaris, @chainarissshop



ZZB1328 03/17

WATERCO
water, the liquid of life



SPASA
AUSTRALIAN MEMBER