

HYDRO 5000 COMMERCIAL STRAINER

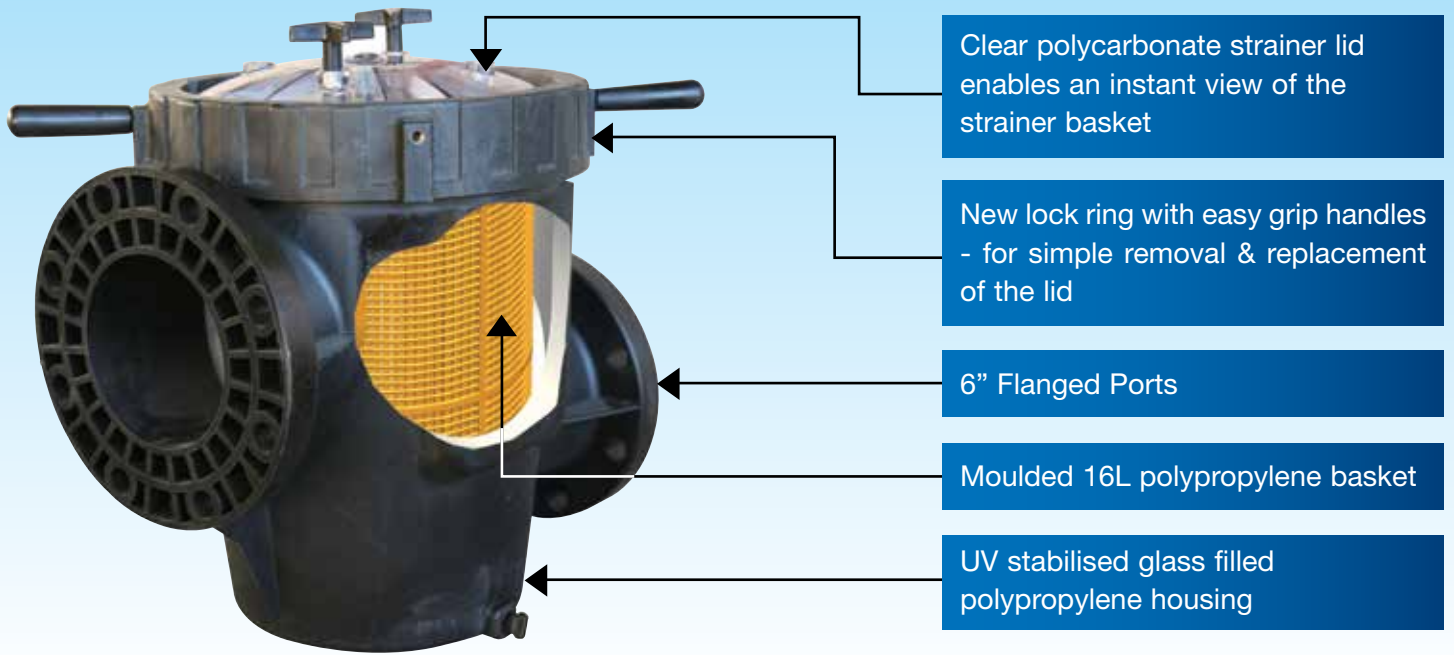


Constructed from composite materials, the Hydro Commercial is a totally non corrosive strainer, designed for aquatic facilities, water parks and large commercial swimming pools.

Hydro 5000 commercial strainer's main body is constructed from an injection moulded glass reinforced thermoplastic. Its seamless one piece consists of no welds or seams or special tank linings which can corrode or electrolyse.

Hydro 5000 strainers weigh less than a 1/3 the weight of its steel counterparts without any compromise in strength and durability.

Features



Clear polycarbonate strainer lid enables an instant view of the strainer basket

New lock ring with easy grip handles - for simple removal & replacement of the lid

6" Flanged Ports

Moulded 16L polypropylene basket

UV stabilised glass filled polypropylene housing

Technical data

Ports: 6" Flanged

Maximum Flow Rate: 2,550 lpm

Maximum Working Pressure: 3.5 Bar (50 PSI)

Basket Area: 0.29 m²

Free area: 0.19 m²

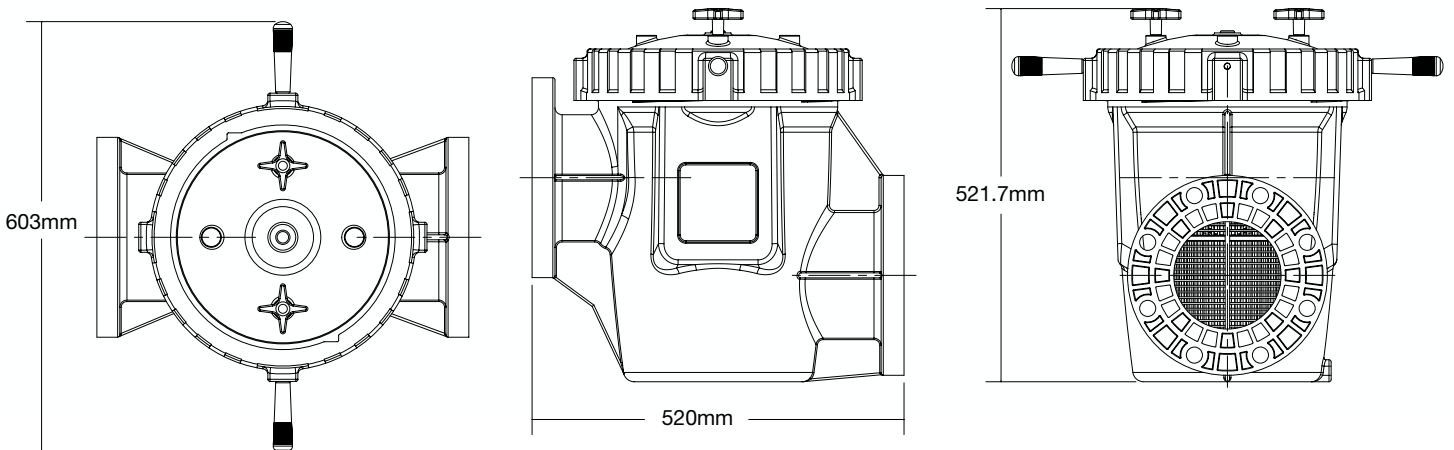
Construction Materials

Housing: Polypropylene (comply with NSF50).

Basket: Polypropylene (FDA-grade)

Lid: Polycarbonate

Dimension



Warranty

* Please refer to Waterco's warranty terms and conditions

OFFICES - AUSTRALIA

NSW - Sydney (Head Office)
Tel: +61 2 9898 8600

QLD - Brisbane
Tel: +61 7 3299 9900

VIC/TAS - Melbourne
Tel: +61 3 9764 1211

WA - Perth
Tel: +61 8 9273 1900

SA/NT - Adelaide
Tel: +61 8 8244 6000

ACT Distribution
Tel: +61 2 6280 6476

OFFICES - OVERSEAS

Waterco (Europe) Limited
Sittingbourne, Kent, UK
Tel: +44 (0) 1795 521 733

Waterco (USA) Inc
Augusta, Georgia, USA
Tel: +1 706 793 7291

Waterco Canada
Longueuil, Quebec, Canada
Tel: +1 450 748 1421

Waterco (NZ) Limited
Auckland, New Zealand
Tel: +64 9 525 7570

Waterco (C) Limited
Guangzhou, China
Tel: +86 20 3222 2180

Waterco (Far East) Sdn Bhd
Selangor, Malaysia
Tel: +60 3 6145 6000

PT Waterco Indonesia
Jakarta, Indonesia
Tel: +62 21 4585 1481

Waterco Singapore Int'l Pte Ltd
Nehsons Building, Singapore
Tel: +65 6344 2378

Waterco France
SAINT PRIEST, France.
Tel: +33 4 72 79 33 30

DISTRIBUTED BY:

Chainaris Phuket Engineering Co., Ltd.

63/13 moo.2, T.Vichit, A.Muang Phuket 83000

Tel: 076-513100-4 Fax: 076-513105

Line: @chainaris, @chainarissshop



WATERCO
water, the liquid of life



SPASA
AUSTRALIAN MEMBER