



Fulflo Pressure Pump

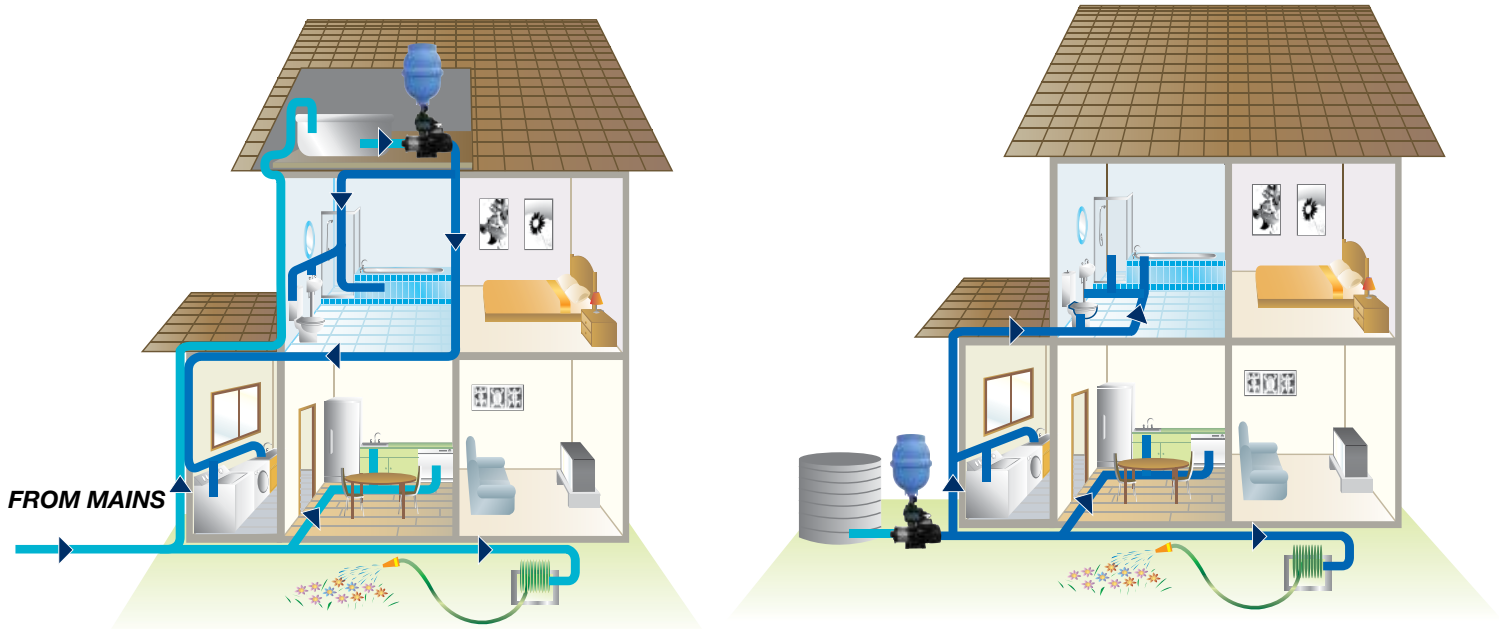
Fulflo pressure pumps are mini horizontal centrifugal pumps, designed to provide reliable water pressure throughout your entire home.

- Maintain constant water pressure from every tap
- Eliminate temperature fluctuations
- Energy efficient design
- Simple to operate and maintain
- Compact and easy to install

Fulflo Pressure Pumps

Fulflo pressure pumps intelligently maintains ideal water pressure throughout the home, no matter how many outlets are in use. They are an ideal solution for houses with low water pressure, as well as larger homes with families who operate multiple water outlets at once.

Suitable for both hot and cold water, Fulflo pressure pumps eliminates fluctuations in temperature and flow rate often experienced with pump cycling.





Energy Saving Pressure Pack

Fulflo pressure pumps can operate with or without a pressure pack. A pressure pack will decrease the energy costs of running the system as the pump will operate when the pack is empty and stop once it is full.

Intelligent Pump Control

The intuitive design of the Fulflo's intelligent pump controller constantly monitors and automatically regulates the amount of water entering the system to provide your household with optimum water flow. It is simple to setup and maintain.

Long Life Motor

- Single-phase: 220-240V/50Hz
- Single-phase with input thermal protector
- Insulation class: F
- Protection: IP55
- Continuous duty

Energy Efficient Impeller

The pump's impeller design maximizes the pump's hydraulic efficiency. It is constructed from stainless steel to ensure long lasting reliability and to withstand a wide range of temperatures.

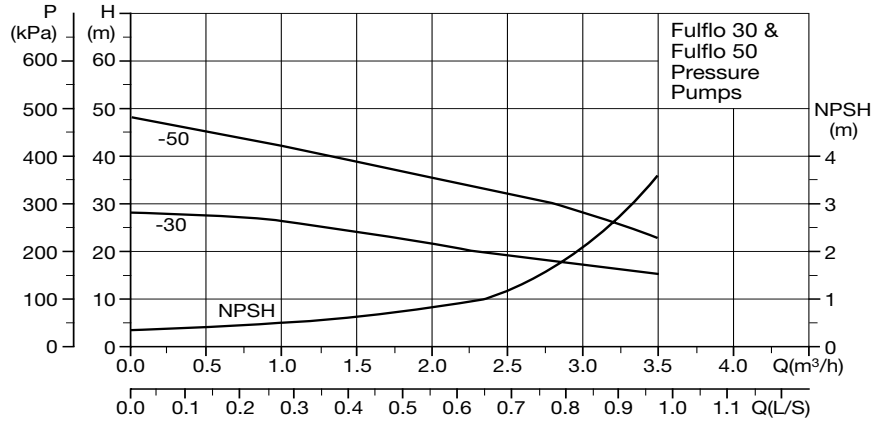
25mm Suction and Delivery

Warranty

Fulflo Pressure Pumps are covered by a 12 months warranty against faulty materials and workmanship.

* Pressure packs are available in 4 litre sizes.

Performance Curve

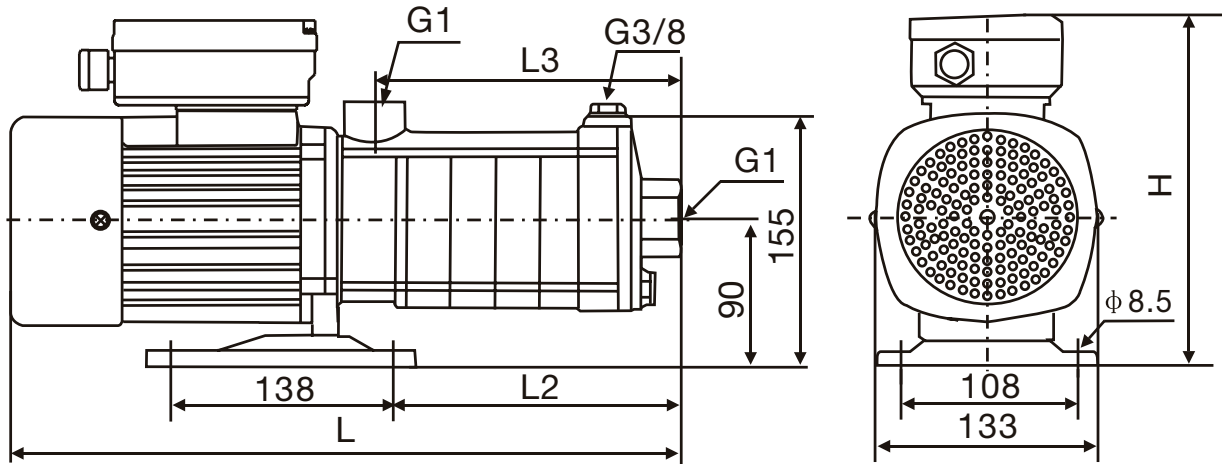


Technical Specifications

Model	Driving motor P ₂ (kW)	Q (m ³ /h)	1.0	1.5	2.0	2.5	3.0	3.5
Single Phase			H (m)					
Fulflo 30 Pressure Pump	0.37		27	24	21	20	17	14
Fulflo 50 Pressure Pump	0.55		43	40	35	33	28	22

Phase	Volts	Cycle	Rpm
1	220-240	50	2900

Dimension



Model	P ₂ (kW)	Size (mm)				
		Single Phase				
		L	L2	L3	H	B (in)
Fulflo 30 Pressure Pump	0.37	344	108	118	210	G1
Fulflo 50 Pressure Pump	0.55	380	144	154	210	G1

OFFICES - AUSTRALIA

NSW - Sydney (Head Office)
Tel: +61 2 9898 8600
QLD - Brisbane
Tel: +61 7 3299 9900
VIC/TAS - Melbourne
Tel: +61 3 9764 1211
WA - Perth
Tel: +61 8 9273 1900
SA/NT - Adelaide
Tel: +61 8 8244 6000
ACT Distribution
Tel: +61 2 6280 6476

OFFICES - OVERSEAS

Waterco (Europe) Limited
Sittingbourne, Kent, UK
Tel: +44 (0) 1795 521 733
Waterco (USA) Inc
Augusta, Georgia, USA
Tel: +1 706 793 7291
Waterco Canada
Longueuil, Quebec, Canada
Tel: +1 450 748 1421
Waterco (NZ) Limited
Auckland, New Zealand
Tel: +64 9 525 7570

Waterco (C) Limited
Guangzhou, China
Tel: +86 20 3222 2180

Waterco (Far East) Sdn Bhd
Selangor, Malaysia
Tel: +60 3 6145 6000

PT Waterco Indonesia
Jakarta, Indonesia
Tel: +62 21 4585 1481

Waterco Singapore Intl Pte Ltd
Nehsons Building, Singapore
Tel: +65 6344 2378

Waterco France
SAINT PRIEST, France.
Tel: +33 4 72 79 33 30

DISTRIBUTED BY:

Chainaris Phuket Engineering Co., Ltd.

63/13 Moo.2, T.Vichit, A.Muang Phuket 83000

Tel: 076-513100-3 Fax: 076-513105

Line: @chainaris, @chainarissso

WATERCO
water, the liquid of life

