

FINSBURY

water filters



Easy to install
Fits most kitchen taps
Long lasting cartridges

countertop **filter**



Disruptor™ filtration technology reduces more impurities than any other conventional water filter.

WATERCO
water, the liquid of life
www.waterco.com.au



- improves taste
- reduces odour
- reduces bacteria
- reduces volatile organic compounds (voc)
- reduces lead and mercury
- reduces cysts

- reduces dirt, sediment and rust
- reduces chlorine
- reduces giardia and cryptosporidium
- rapid filtration
- quick and easy filter replacement
- long lasting filter cartridges

Disruptor™ filtration technology



Utilising electroadsorption, the entire disruptor media is covered by an electric charge, which is activated by contact with water. It is this charge field that captures contaminants in the water.

Filter cartridge replacement

For optimal performance, Waterco recommends cartridge replacement every 3000 Litres or 6 months.



Carbon cartridge

- improves taste
- reduces odours
- reduces sediment and rust
- reduces chlorine

Disruptor cartridge

- reduces bacteria
- reduces chlorine compounds
- reduces lead and mercury

Questions & Answers

Finsbury Water Filters are they BPA free?

Yes. The potential release of Bisphenol A is related to the use of Polycarbonate. All **Finsbury Water Filters** materials in direct contact with water do not contain Polycarbonate and are food grade and BPA free.

Can I change the filters myself?

Yes. All **Finsbury Water Filters** products are designed with simplicity and user friendliness in mind, for ease of use all filters are very easy to replace. For further information please refer to the instructions.

Do I need to wash my filter?

No. Under no circumstance should you use any detergents or put your filter through a dishwasher.

Can I use hot water in my Finsbury Water Filters?

We do not recommend extremely hot or boiling water is run through the filter as this could affect the performance. This excludes shower filters.

Can I drink waters from a stream or dam?

Finsbury Water Filters will remove virtually all harmful contaminants that you will find in a typical unpurified water source such as a stream or dam. However, as an unpurified water source could have additional unknown contaminants, it is not recommended to drink this water.

Can I filter any liquid with my Finsbury Water Filters product and will it be drinkable?

No. Our products are designed to filter water only.

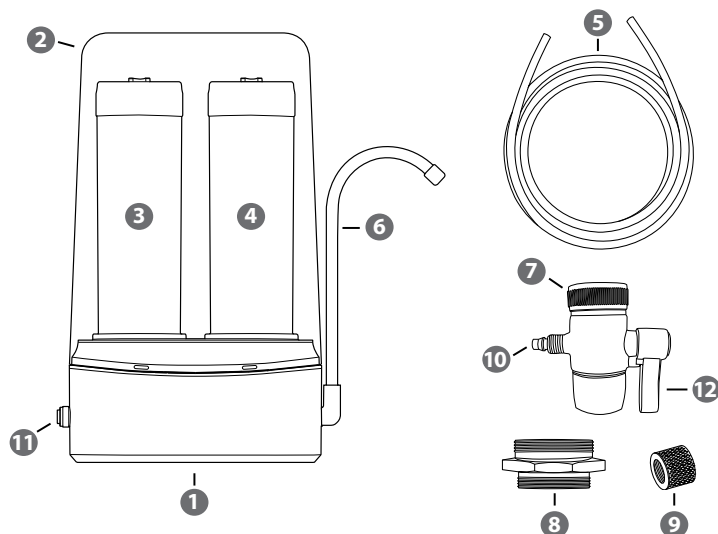
Do Finsbury Water Filters water products remove fluoride?

No. Fluoride is a natural mineral that can be found within municipal water supplies. Throughout World some water agencies add this to the water supply. **Finsbury Water Filters** water filters are not designed to remove fluoride.

What heavy metals can be reduced?

Finsbury Water Filters products utilising the Disruptor™ PACV filter media are able to reduce Chromium VI, Copper, Lead, Iron and Selenium.

Contents



1. two stage filtration unit
2. filter cover
3. carbon cartridge filter
4. disruptor cartridge filter
5. hose
6. chrome plated tap spout
7. chrome plated faucet end
8. hexagonal thread adapter
9. round threaded nut
10. inlet spout nipple
11. filter unit inlet
12. control valve

Pack includes base unit with cartridges, chrome faucet & fittings

Product technical specifications

Flow rate	1.8L/min
Max. pressure	400 kPa / 60 psi
Filter capacity	3000L
Water source	municipal water
Filter life	6 months*
Single Unit	230mm (L) x 156mm (W) x 330mm (H)
Packaged Weight	Approx. 1.79kg
Maximum Operating Temperature	Do not use HOT/Warm water

Warranty: The Finsbury Counter Top Water Filter is warranted to be free from defects in material and workmanship for a period of three (3) year from date of purchase. Warranty on consumable products such as filters cartridges does not apply.

CONTACT WATERCO

Waterco's head office is situated in Sydney, Australia with international offices, manufacturing plants and warehouses located in Australia, New Zealand, Malaysia, Indonesia, Singapore, China, the US, Canada, France and the UK.

OFFICES - AUSTRALIA

NSW - Sydney (Head Office)
Tel: +61 2 9898 8600

QLD - Brisbane
Tel: +61 7 3299 9900

VIC/TAS - Melbourne
Tel: +61 3 9764 1211

WA - Perth
Tel: +61 8 9273 1900

SA/NT - Adelaide
Tel: +61 8 8244 6000

ACT Distribution
Tel: +61 2 6280 6476

OFFICES - OVERSEAS

Waterco (Europe) Limited
Sittingbourne, Kent, UK
Tel: +44 (0) 1795 521 733

Waterco (USA) Inc
Augusta, Georgia, USA
Tel: +1 706 793 7291

Waterco Canada
Longueuil, Quebec, Canada
Tel: +1 450 748 1421

Waterco (NZ) Limited
Auckland, New Zealand
Tel: +64 9 525 7570

Waterco (C) Limited
Guangzhou, China
Tel: +86 20 3222 2180

Waterco (Far East) Sdn Bhd
Selangor, Malaysia
Tel: +60 3 6145 6000

PT Waterco Indonesia
Jakarta, Indonesia
Tel: +62 21 4585 1481

Waterco Singapore Intl
Pte Ltd
Nehsons Building, Singapore
Tel: +65 6344 2378

Waterco France
Saint Priest, France.
Tel: +33 4 72 79 33 30

DISTRIBUTED BY:

Chainaris Phuket Engineering Co., Ltd.

63/13 Moo.2, T.Vichit, A.Muang Phuket 83000

Tel: 076-513100-3 Fax: 076-513105

Line: @chainaris, @chainarishho



WATERCO
water, the liquid of life

