

Litestream MKIV Halogen Underwater Lights

For Water with Sheer Brilliance

The Litestream MKIV Halogen under water light is modern in looks, but offers an improved performance in brightness and pool coverage through its newly designed hexagonal diamond shaped lens pattern.

The MKIV also offers additional blue twist-lock lens for pool owners to quickly and easily change a pools mood. Most importantly the light's electrical connections have been redesigned to ensure the longevity of the MKIV's powerful 100 watt globe.

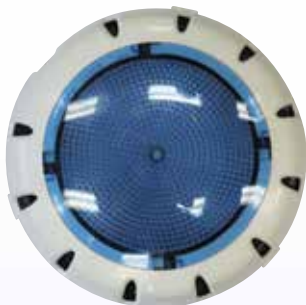


Easy to maintain

Maintaining your Litestream MKIV Underwater Light is simply a matter of occasionally changing the globe. To make this job as trouble free as possible, the lights have been designed with a simple twist-lock adaptor so that they can be easily removed from the water when the globe needs to be replaced.

Easy Replacement

Your pool's existing light can be easily replaced with the use of the Litestream's Retrofit Kit which consists of a Retrofit Connector and an Universal Pool Light twist-lock Adaptor.



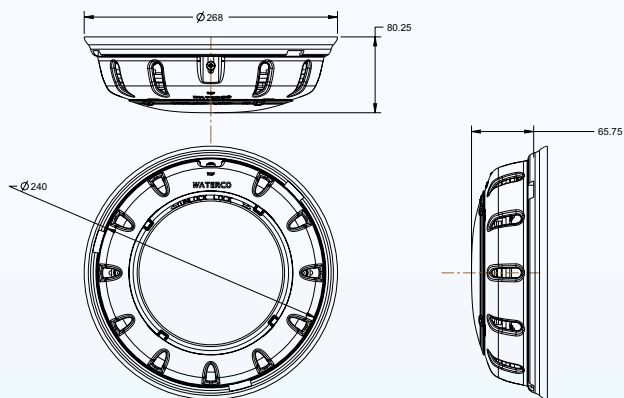
Coloured Lenses

The Litestream Underwater Lights come with an additional blue twist-lock lens.

Electrical Specifications

Input Voltage 12VAC
Input Power 100W

Dimensions



Waterco's UWL Replacement Kit comes with an twist-lock adapter plate that can easily replace other major brand of lights.

The major brand of Under Water lights that can be replaced with Waterco's are marked on the twist-lock adapter plate.

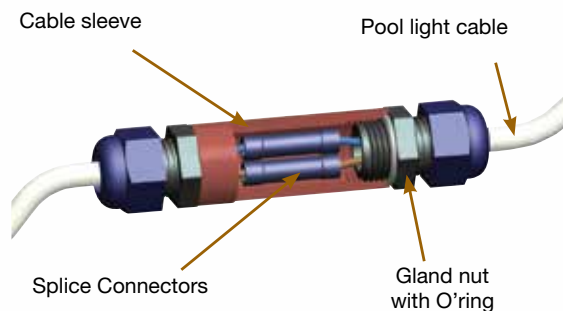
- AQ = Aqua Quip
- SW = Swimworld
- ST = Stroud
- SE = Spa Electric
- PR = Poolrite



TWIST LOCK ADAPTOR FOR UNDER WATER LIGHT

Retrofit Connector (IP68).

Easy to use Retrofit Connector, simply crimp both connections with the splice connectors, slide the cable sleeve over the connection and hand tighten the gland nuts.

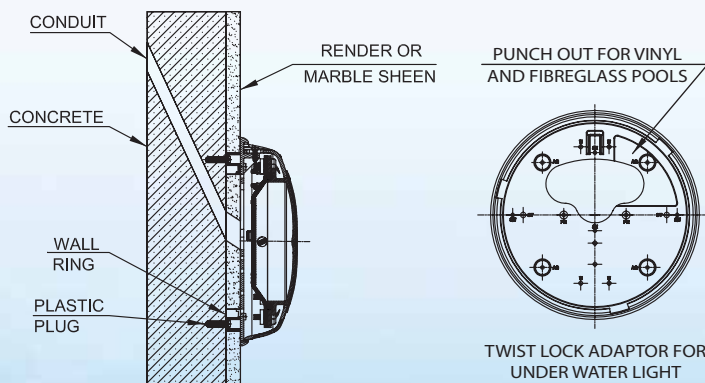


Note: If the power cable is 6mm diameter use the smaller joiner tube and gland nut assembly.



Note: If the power cable is larger than 6mm use the larger stepped joiner tube and gland nut assembly.

Installation Concrete Walled Pools



Warranty

Litestream Underwater Lights are covered by a 12 month warranty, excluding the light globe.

OFFICES - AUSTRALIA
NSW - Sydney (Head Office)
Tel: +61 2 9898 8600
QLD - Brisbane
Tel: +61 7 3299 9900
VIC/TAS - Melbourne
Tel: +61 3 9764 1211
WA - Perth
Tel: +61 8 9273 1900
SA/NT - Adelaide
Tel: +61 8 8244 6000
ACT Distribution
Tel: +61 2 6280 6476

OFFICES - OVERSEAS
Waterco (Europe) Limited
Sittingbourne, Kent, UK
Tel: +44 (0) 1795 521 733
Waterco (USA) Inc
Augusta, Georgia, USA
Tel: +1 706 793 7291
Waterco Canada
Longueuil, Quebec, Canada
Tel: +1 450 748 1421
Waterco (NZ) Limited
Auckland, New Zealand
Tel: +64 9 525 7570

Waterco (C) Limited
Guangzhou, China
Tel: +86 20 3222 2180
Waterco (Far East) Sdn Bhd
Selangor, Malaysia
Tel: +60 3 6145 6000
PT Waterco Indonesia
Jakarta, Indonesia
Tel: +62 21 4585 1481
Waterco Singapore Int'l Pte Ltd
Nehsons Building, Singapore
Tel: +65 6344 2378

Waterco France
SAINT PRIEST, France.
Tel: +33 4 72 79 33 30

DISTRIBUTED BY:

Chainaris Phuket Engineering Co., Ltd.
63/13 Moo.2 T.Vichit A.Muang Phuket 83000
Tel: 076-513100-3 Line: @chainarissshop



WATERCO
water, the liquid of life



Member
WATER
QUALITY
ASSOCIATION



SPASA
AUSTRALIAN MEMBER