

# BRITESTREAM MKV

## MULTICOLOURED LED NICHE LIGHT



Waterco's new Britestream Niche LED has been designed to provide a low profile – not to mention an energy efficient lighting solution.

BriteStream Multicoloured LED light can produce myriad colours without the need for coloured lenses. In fact, there are nine different colour programs available.

- Energy saving – operates on 15% of the energy of a halogen
- New BriteLUX diffuser lens
- Long life LEDs
- Optional Stainless Steel Rim





### BriteLux Diffuser Lens

Unlike traditional LED lights that restrict the light output to individual hot spots, BriteLUX Diffuser Lens radiates light throughout the entire circumference of the lens.

In fact, the BriteLUX Diffuser Lens significantly boosts colour saturation and increases light transmission by 50 percent.

### Multicoloured LED Light

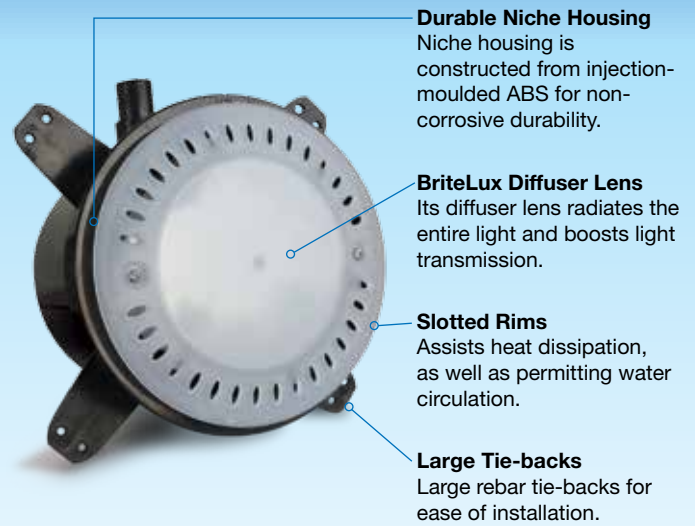
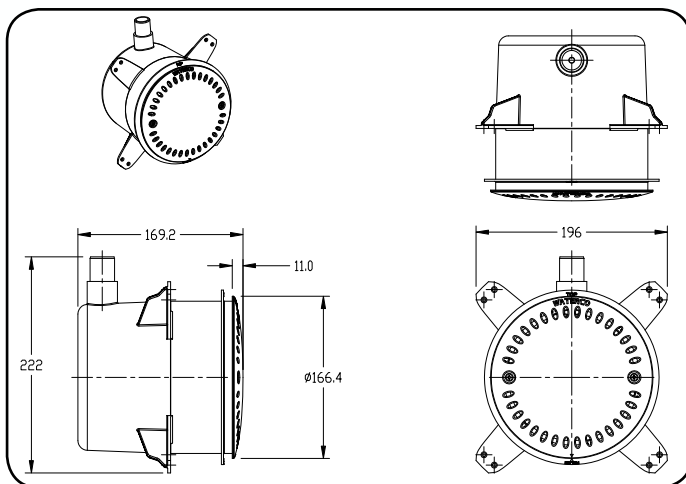
The BriteStream Multicoloured LED light can produce nine different colour programs.

WHITE		RED	
SLOW CHANGING COLOURS - 20 SECOND RAMPING		YELLOW - GREEN (GOLD)	
FAST CHANGING COLOURS - 5 SECOND RAMPING		GREEN	
BLUE		AQUA	
MAGENTA			

### Technical Specifications

Zonal Distribution	Power Usage	Input Voltage
0 to 180 degrees	15Watt	12V AC

### Dimensions



#### Durable Niche Housing

Niche housing is constructed from injection-moulded ABS for non-corrosive durability.

#### BriteLux Diffuser Lens

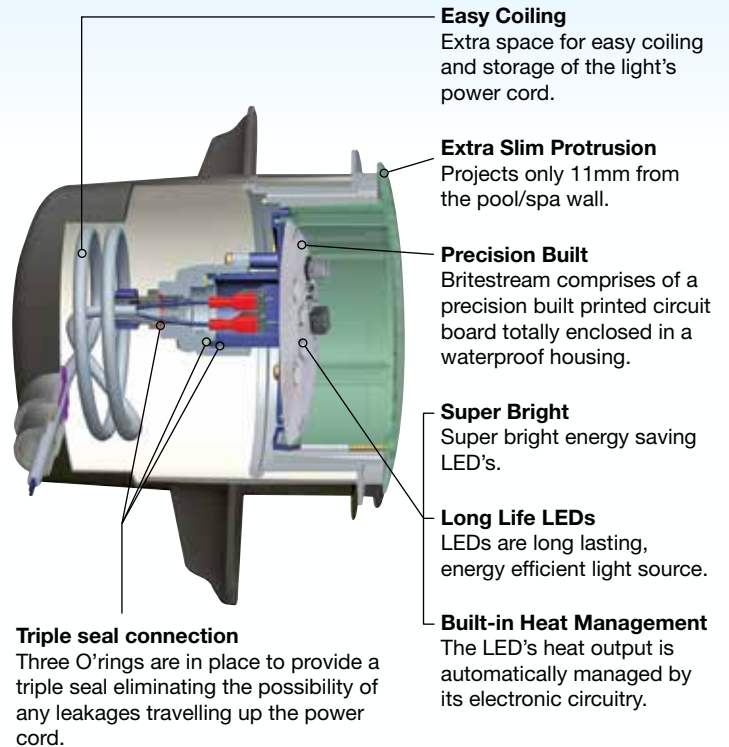
Its diffuser lens radiates the entire light and boosts light transmission.

#### Slotted Rims

Assists heat dissipation, as well as permitting water circulation.

#### Large Tie-backs

Large rebar tie-backs for ease of installation.



#### Easy Coiling

Extra space for easy coiling and storage of the light's power cord.

#### Extra Slim Protrusion

Projects only 11mm from the pool/spa wall.

#### Precision Built

Britestream comprises of a precision built printed circuit board totally enclosed in a waterproof housing.

#### Super Bright

Super bright energy saving LED's.

#### Long Life LEDs

LEDs are long lasting, energy efficient light source.

#### Built-in Heat Management

The LED's heat output is automatically managed by its electronic circuitry.

#### Triple seal connection

Three O'rings are in place to provide a triple seal eliminating the possibility of any leakages travelling up the power cord.



Optional Stainless Steel Rim

#### Warranty

BriteStream LED lights are covered by a comprehensive 2 Year warranty.

#### OFFICES - AUSTRALIA

NSW - Sydney (Head Office)  
Tel: +61 2 9898 8600

QLD - Brisbane

Tel: +61 7 3299 9900

VIC/TAS - Melbourne

Tel: +61 3 9764 1211

WA - Perth

Tel: +61 8 9273 1900

SA/NT - Adelaide

Tel: +61 8 8244 6000

ACT Distribution

Tel: +61 2 6280 6476

#### OFFICES - OVERSEAS

Waterco (Europe) Limited  
Sittingbourne, Kent, UK  
Tel: +44 (0) 1795 521 733

Waterco (USA) Inc  
Augusta, Georgia, USA  
Tel: +1 706 793 7291

Waterco Canada  
Longueuil, Quebec, Canada  
Tel: +1 450 748 1421

Waterco (NZ) Limited  
Auckland, New Zealand  
Tel: +64 9 525 7570

Waterco (C) Limited  
Guangzhou, China  
Tel: +86 20 3222 2180

Waterco (Far East) Sdn Bhd  
Selangor, Malaysia  
Tel: +60 3 6145 6000

PT Waterco Indonesia  
Jakarta, Indonesia  
Tel: +62 21 4585 1481

Waterco Singapore Int'l Pte Ltd  
Nehsons Building, Singapore  
Tel: +65 6344 2378

#### DISTRIBUTED BY:

Chainaris Phuket Engineering Co., Ltd.

63/13 Moo.2 T.Vichit A.Muang Phuket 83000

Tel: 076-513100-3

Line: @chainarissshop



**WATERCO**  
water, the liquid of life

