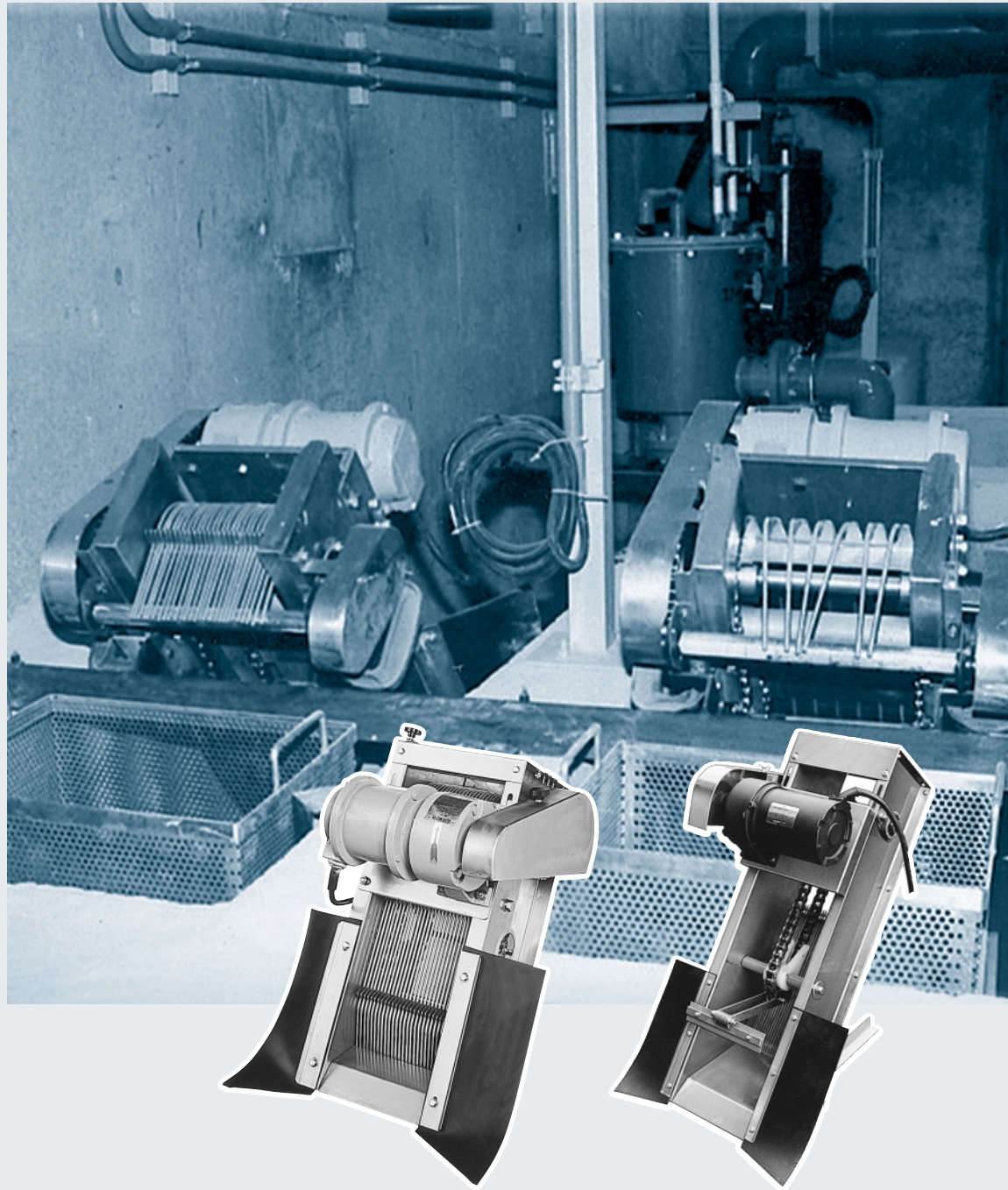




Power Bar Screens

KE/KS KM/KMA/KMS



Recycling Water Clean; Beginning with Pretreatment

Features

Versatile Applications

Front screen type with the raised scraping comb teeth and the sealing rubber matches waterways with varying liquid levels, while rear screen type with the dry chain is suitable for them without liquid level change.

Compact Design

The bar screen is compact, lightweight and self-standing design so that it can be installed securely in an U-shaped waterway by the sealing rubbers attached on frame sides.

Outstanding Durability

Since major parts of the screen are made of 304 stainless steel, the bar screen withstands use in the severe conditions, such as being installed outdoors or operated continuously.

Applications

- Primary treatment at a factory wastewater treatment plant
- Screening suspended solid from kitchen effluent at hotel, factory, hospital, etc.
- Screening suspended solid from wastewater at small-scale wastewater facility

Economical Advantage

The screen is readily maintained and only needs minimal initial cost and running cost.

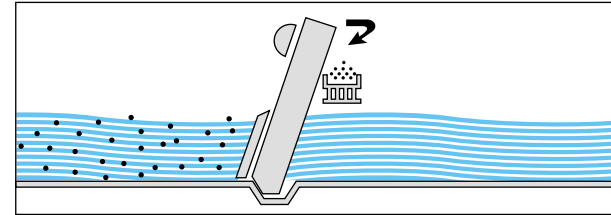
No Clogging Screen (KE / KS)

The saw teeth on each rake of the front screen type travel between screen bars, which prevents foreign matters from lodging in the screen bars.

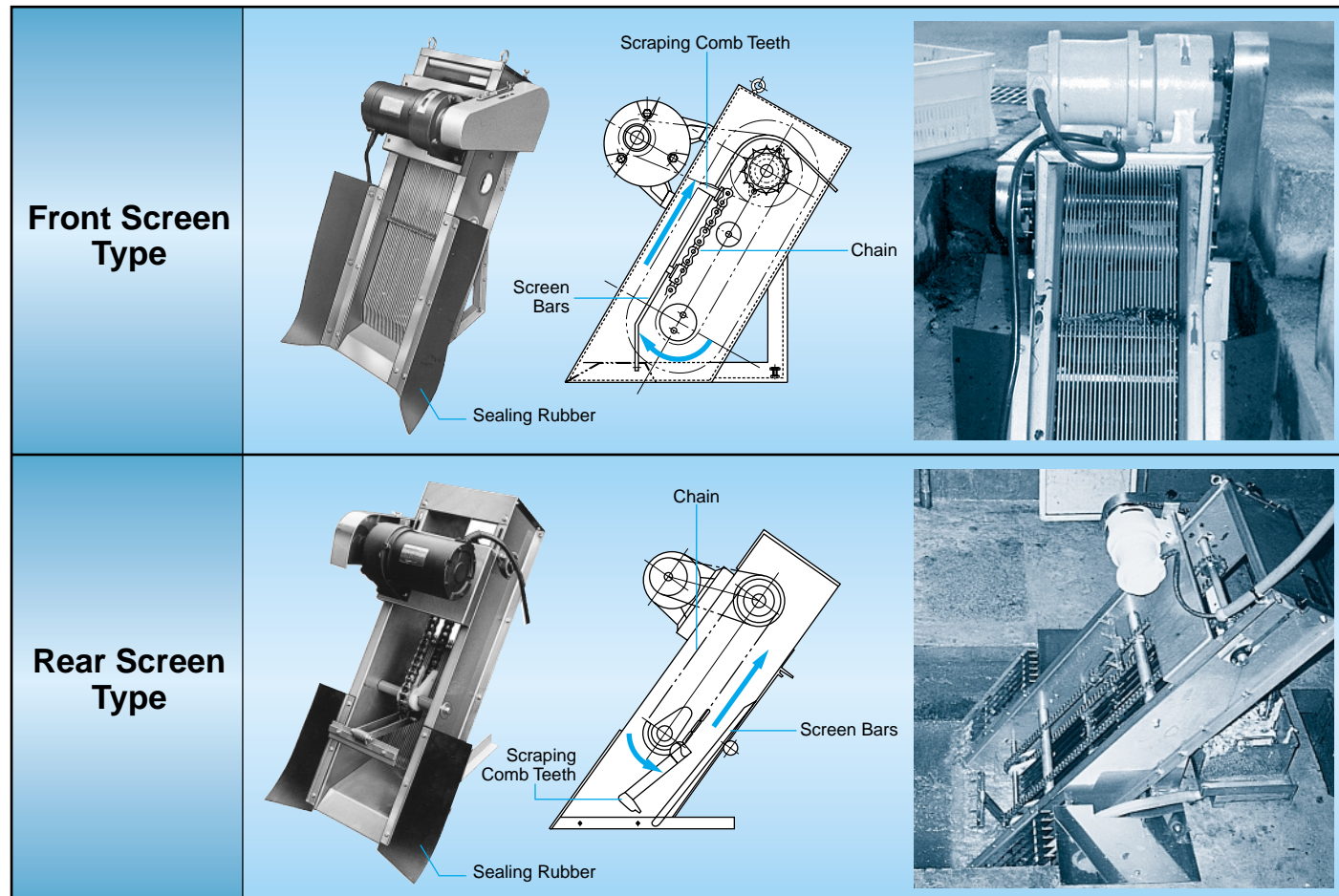
Dry Chain (KM / KMA / KMS)

Rear screen type is equipped with the innovative dry chain and the sprocket which are not entwined with waste or sewage because the chain is designed not to contact the liquid.

Bar Screen Mechanism



The screen catches floating solids contained in sewage or wastewater. The solids are then automatically collected by the scraping comb teeth and discharged without being broken.



Standard Specifications 50/60Hz

Fine Screens (Bar Spacing : 1~2.5mm, 5mm)

Fine screens with a bar spacing from 1mm to 5mm. Ideal to remove very small matter securely and efficiently.

Type	Model	Motor Output kW	Bar Spacing mm				Overall Height mm	Width of Waterway mm	Installation Angle	Dry Weight kgs
			Capacity m³/h							
			1.0	2.0	2.5	5.0				
Front Screen	KE-200S	0.1	—	26	31	41	510	300 ~ 400	60°	32
	KE-200M	0.1	—	36	46	58	685	300 ~ 400	60°	38
	KE-200L	0.1	—	49	62	78	865	300 ~ 400	60°	42
	KS-200Z	0.1	16	26	31	41	520	330 ~ 400	60°	33
	KS-200Y	0.1	29	47	56	74	760	400 ~ 500	60°	49
	KS-300Y	0.1	43	70	84	110	760	500 ~ 600	60°	54
	KS-200S	0.1	17	28	31	47	800	330 ~ 400	45°	47
	KS-200M	0.1	25	41	48	70	920	330 ~ 400	45°	52
Rear Screen	KS-200L	0.1	32	55	63	93	1050	330 ~ 400	45°	62
	KM-200S	0.1	—	25	28	39	720	300 ~ 400	55°	33
	KM-200M	0.1	—	25	28	39	910	300 ~ 400	55°	37
	KM-200L	0.1	—	25	28	39	1110	300 ~ 400	55°	40
	KM-250S	0.1	—	32	38	53	720	350 ~ 450	55°	34
	KM-250M	0.1	—	32	38	53	910	350 ~ 450	55°	38
	KM-250L	0.1	—	32	38	53	1110	350 ~ 450	55°	41
	KM-300S	0.1	—	40	46	64	720	400 ~ 500	55°	35
	KM-300M	0.1	—	40	46	64	910	400 ~ 500	55°	39
	KM-300L	0.1	—	40	46	64	1110	400 ~ 500	55°	42
	KMS-300S	0.1	—	—	—	63	870	400 ~ 500	60°	42
	KMS-300M	0.1	—	—	—	63	1215	400 ~ 500	60°	50
KMS-300L	0.1	—	—	—	63	1560	400 ~ 500	60°	57	



KE

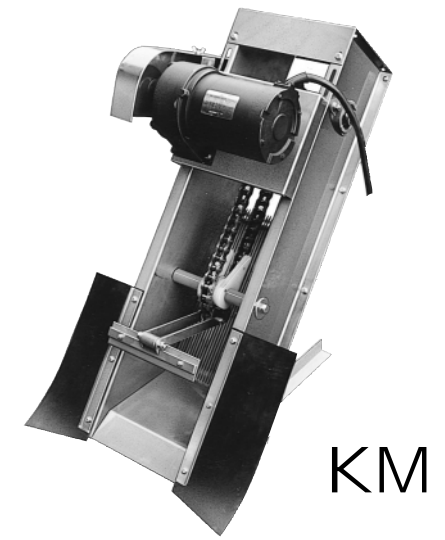


KS

Coarse Screens (Bar Spacing : 10~50mm)

Coarse screens with a bar spacing of 10mm to 50mm. These screens are efficient when used before a fine screen.

Type	Model	Motor Output kW	Bar Spacing mm					Overall Height mm	Width of Waterway mm	Installation Angle	Dry Weight kgs
			Capacity m³/h								
			10	20	30	40	50				
Front Screen	KS-200S	0.1	—	70	75	80	85	800	330 ~ 400	45°	47
	KS-200M	0.1	—	104	111	119	123	920	330 ~ 400	45°	52
	KS-200L	0.1	—	137	147	157	165	1050	330 ~ 400	45°	62
Rear Screen	KMA-200S	0.1	38	45	47	49	50	720	300 ~ 400	55°	33
	KMA-200M	0.1	38	45	47	49	50	910	300 ~ 400	55°	37
	KMA-200L	0.1	38	45	47	49	50	1110	300 ~ 400	55°	40
	KMA-250S	0.1	48	56	59	61	62	720	350 ~ 450	55°	34
	KMA-250M	0.1	48	56	59	61	62	910	350 ~ 450	55°	38
	KMA-250L	0.1	48	56	59	61	62	1110	350 ~ 450	55°	41
	KMA-300S	0.1	58	67	71	74	79	720	400 ~ 500	55°	35
	KMA-300M	0.1	58	67	71	74	79	910	400 ~ 500	55°	39
	KMA-300L	0.1	58	67	71	74	79	1110	400 ~ 500	55°	42
Rear Screen	KMS-300S	0.1	75	89	89	95	100	870	400 ~ 500	60°	42
	KMS-300M	0.1	75	89	89	95	100	1215	400 ~ 500	60°	50
	KMS-300L	0.1	75	89	89	95	100	1560	400 ~ 500	60°	57



KM

Major Parts' Materials

Screen Bars	304 Stainless Steel
Scraping Comb Teeth	304 Stainless Steel
Chain and Sprocket	304 Stainless Steel
Frame	304 Stainless Steel*

*Frame material of KS-200Z is 430 stainless steel.

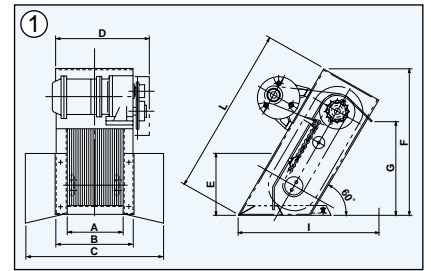
- Powered by three-phase totally-enclosed (IP57) geared motor.
- Capacity in terms of the maximum amount of clean water.
- Consult if a screen is to be installed in a waterway with width exceeding those listed on the table.
- When ordering, specify the desired bar spacing value together with the model name.

Dimensions (Unit: mm)

Front Screen Type

KE

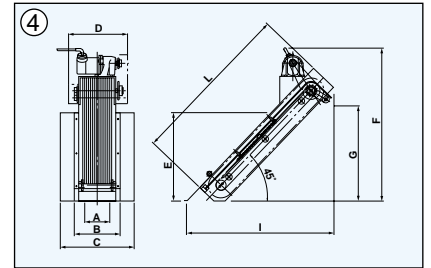
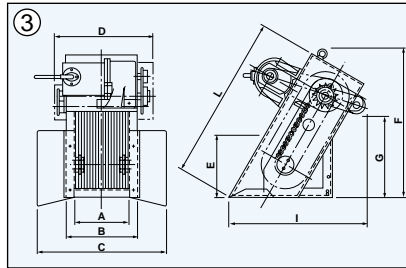
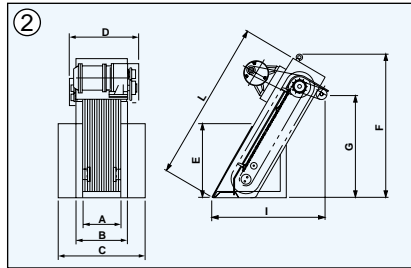
Model	Effective Width A	Width of Frame B	Overall Width C	Max. Width of Upper Part D	Max. Water Level E	Overall Height F	Discharge Level of Solids G	Space I	Overall Length of Frame L	Drawing No.
KE-200S	191	254	460	330	210	510	300	480	577	①
KE-200M	191	254	460	330	390	685	500	580	787	
KE-200L	191	254	460	330	510	865	690	690	992	



KS

Model	Effective Width A	Width of Frame B	Overall Width C	Max. Width of Upper Part D	Max. Water Level E	Overall Height F	Discharge Level of Solids G	Space I	Overall Length of Frame L	Drawing No.
KS-200Y	191	254	460	350	360	760	500	640	850	②
KS-300Y	282	345	550	500	360	760	500	640	850	
KS-200Z	191	254	460	350	210	520	280	490	577	③
KS-200S	180(187)	318(325)	500	400(410)	270	800	400	800	800	
KS-200M	180(187)	318(325)	500	400(410)	370	920	540	920	971	④
KS-200L	180(187)	318(325)	500	400(410)	470	1050	650	1040	1140	

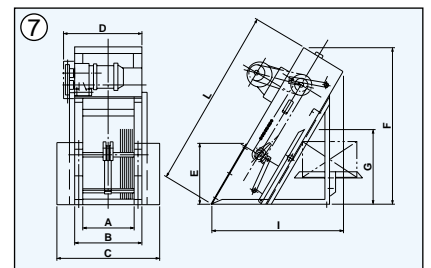
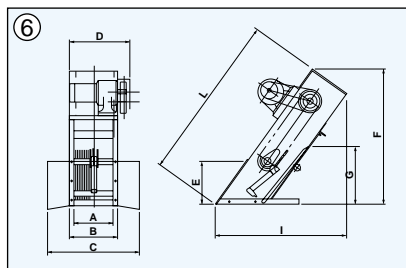
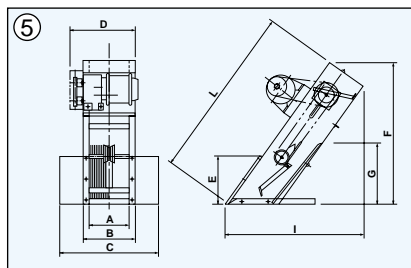
• Dimensions in parentheses are for the screens of 5mm or coarser bar spacing.



Rear Screen Type

KM

Model	Effective Width A	Width of Frame B	Overall Width C	Max. Width of Upper Part D	Max. Water Level E	Overall Height F	Discharge Level of Solids G	Space I	Overall Length of Frame L	Drawing No.
KM-200S	200	253	460	310	250	720	310	670	868	⑤
KM-200M	200	253	460	310	250	910	475	800	1102	
KM-200L	200	253	460	310	250	1110	670	945	1352	
KM-250S	250	303	510	360	250	720	310	670	868	
KM-250M	250	303	510	360	250	910	475	800	1102	
KM-250L	250	303	510	360	250	1110	670	945	1352	
KM-300S	300	353	560	410	250	720	310	670	868	⑥
KM-300M	300	353	560	410	250	910	475	800	1102	
KM-300L	300	353	560	410	250	1110	670	945	1352	
KMA-200S	200	253	460	310	250	720	310	670	868	
KMA-200M	200	253	460	310	250	910	475	800	1102	
KMA-200L	200	253	460	310	250	1110	670	945	1352	
KMA-250S	250	303	510	360	250	720	310	670	868	⑦
KMA-250M	250	303	510	360	250	910	475	800	1102	
KMA-250L	250	303	510	360	250	1110	670	945	1352	
KMA-300S	300	353	560	410	250	720	310	670	868	
KMA-300M	300	353	560	410	250	910	475	800	1102	
KMA-300L	300	353	560	410	250	1110	670	945	1352	
KMS-300S	284	368	570	420	200	870	400	830	1000	⑦
KMS-300M	284	368	570	420	200	1215	730	996	1400	
KMS-300L	284	368	570	420	200	1560	1040	1150	1800	



We reserve the right to change the specifications and designs for improvement without prior notice.

**TSURUMI
MANUFACTURING CO.,LTD.**

Your Dealer



Chainaris Phuket Engineering Co., Ltd.

63/13 Moo.2, T.Vichit, A.Muang Phuket 83000

Tel. 076-513100-3

Fax. 076-513105

www.chainaris.co.th