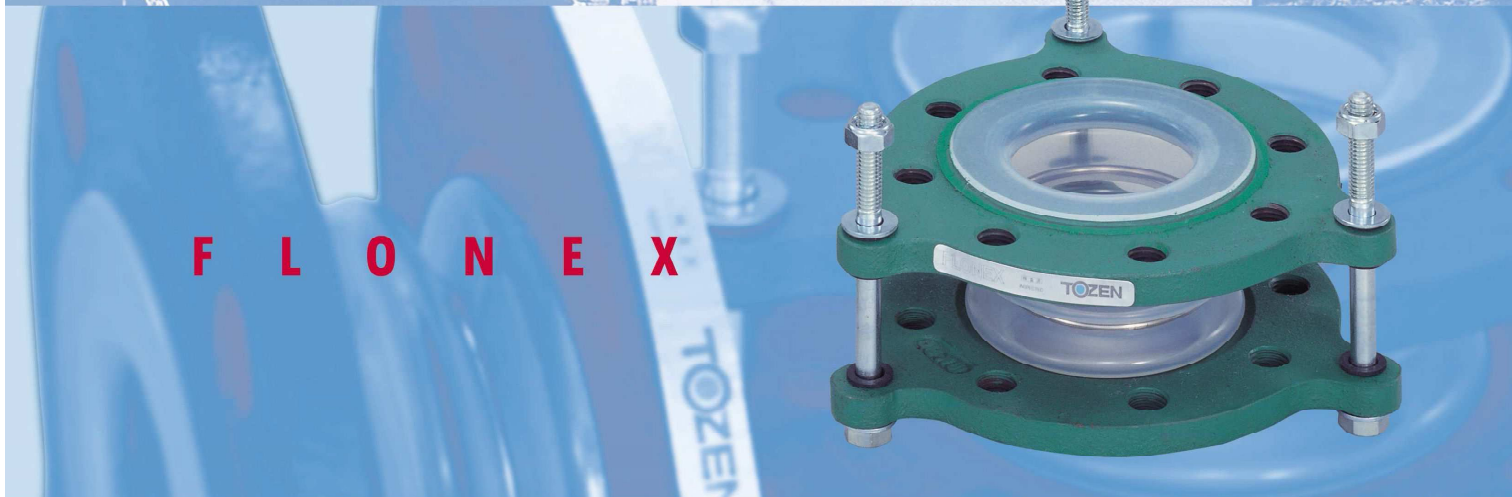


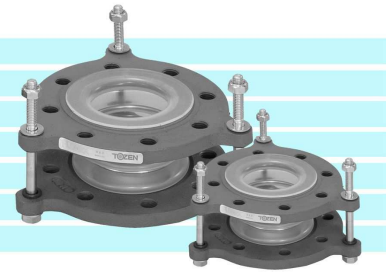
FLONEX

PTFE EXPANSION JOINT



FLONEX

PTFE EXPANSION JOINT



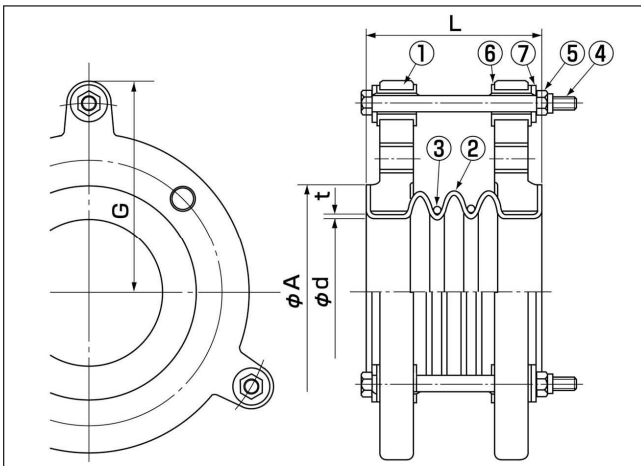
Features

- PTFE EXPANSION JOINT**
 PTFE expansion joint has the best features of chemical resistance, heat resistance, thermal stability, non-adhesive, weather resistance and high resistance to physical fatigue. TOZEN recommends FLONEX for today's piping systems.
- HIGH CHEMICAL RESISTANCE**
 PTFE has high chemical resistance to every chemical except flourine gas (CIF3 & OF2) and fusing alkali metal. Therefore, FLONEX is suitable for various acids, alkalines and solvents.
- HEAT RESISTANCE AND THERMAL STABILITY**
 FLONEX can afford a wide working temperature range from -20°C to +130°C.
- NON-ADHESIVITY**
 FLONEX has high non-adhesivity. Therefore, FLONEX is applicable to sticky fluids. Inside of FLONEX can be also cleaned easily.
- WEATHER RESISTANCE**
 FLONEX can be used in outdoor for a long period without any aging deterioration.
- EXCELLENT FLEXIBILITY**
 Owing to our special hydraulic forming, FLONEX has smaller thickness difference than other Teflon bellows. FLONEX provides the maximum flexibility for expansion compensation, vibration and sound absorption in a very short length. Since PTFE contains no carbon element, no electrolysis will be generated. It is specially recommended for the use of potable water and demineralized water.

Applications

Chemical Processing Industries, Water Treatment Plant, HVAC Systems and other industries.

Structure

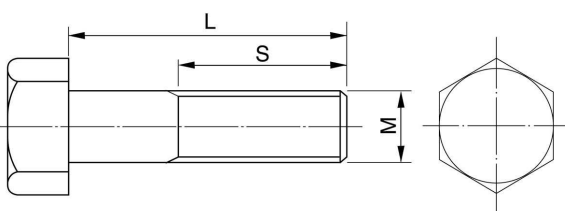


| No. | Parts | Materials |
|-----|--------------|------------------|
| ① | Flange | FCD450/SS400 |
| ② | Bellows | PTFE |
| ③ | Control Ring | SUS304 |
| ④ | Limit Bolt | SS400 |
| ⑤ | Nut | SS400 |
| ⑥ | Grommet | Synthetic Rubber |
| ⑦ | Flat Washer | SS400 |

• Flanges on ANSI, BS, etc. are available. The flange material can be changed to SUS304. Please consult us.

Installation Bolts

Please use the following limit bolts for installation.



JIS B 0205 (Metric Coarse Screw Thread)

| Nominal Dia.(A) | Installation Bolt Size (mm) | Nominal Dia.(A) | Installation Bolt Size (mm) |
|-----------------|-----------------------------|-----------------|-----------------------------|
| 20 | M12x35L | 100 | M16x50L |
| 25 | M16x35L | 125 | M20x60L |
| 32 | M16x40L | 150 | M20x60L |
| 40 | M16x40L | 200 | M20x65L |
| 50 | M16x45L | 250 | M22x70L |
| 65 | M16x45L | 300 | M22x70L |
| 80 | M16x50L | - | - |

Data are based on the thickness of JIS10K standard flanges and gaskets are not included.

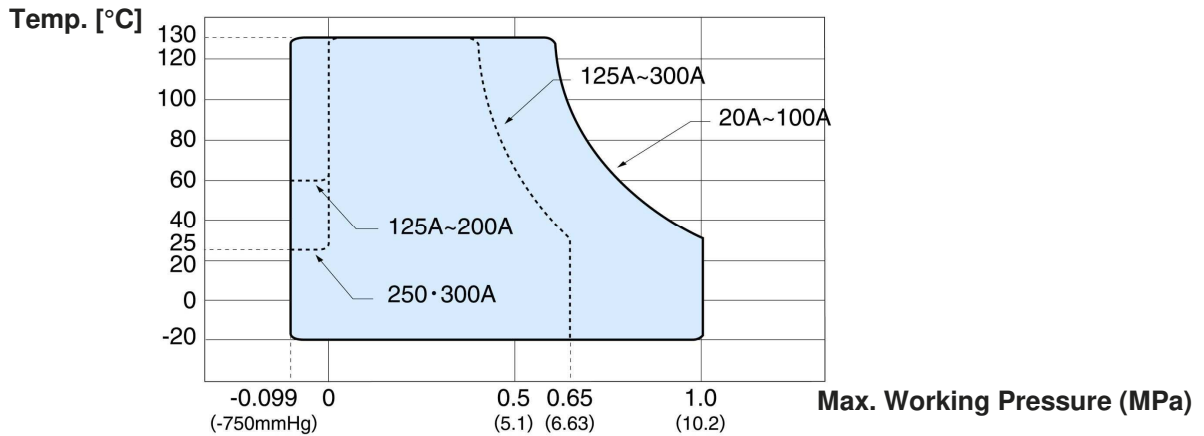
• Dimension and Allowable Movement

| Nominal Dia. (A) | Dimension (mm) | | | | | Mass (kg) | Allowable Movement (mm) | | | | Installation Tolerance (mm) | | | |
|---------------------|----------------|-----|-----|-----|-------|--------------|-------------------------|------|------|---------|-----------------------------|------|------|---------|
| | L | ØA | Ød | t | G | | T.M. | A.E. | A.C. | A.M.(°) | T.M. | A.E. | A.C. | A.M.(°) |
| 20 | 44 | 50 | 25 | 1.5 | 155.0 | 1.3 | 6 | 13 | 13 | 14 | 3 | 3 | 3 | 5 |
| 25 | 44 | 50 | 25 | 1.5 | 166.2 | 1.6 | 6 | 13 | 13 | 14 | 3 | 3 | 3 | 5 |
| 32 | 49 | 62 | 32 | 1.5 | 176.2 | 1.8 | 6 | 13 | 13 | 14 | 3 | 3 | 3 | 5 |
| 40 | 51 | 73 | 38 | 1.5 | 181.2 | 2.0 | 6 | 13 | 13 | 14 | 3 | 3 | 3 | 5 |
| 50 | 68 | 92 | 49 | 2.0 | 202.6 | 3.1 | 10 | 19 | 19 | 14 | 4 | 3 | 3 | 5 |
| 65 | 77 | 105 | 63 | 2.0 | 229.0 | 4.1 | 10 | 19 | 19 | 14 | 4 | 3 | 3 | 5 |
| 80 | 85 | 120 | 73 | 2.0 | 242.2 | 4.2 | 13 | 25 | 25 | 14 | 5 | 5 | 5 | 5 |
| 100 | 85 | 145 | 97 | 2.5 | 257.6 | 5.9 | 13 | 25 | 25 | 14 | 5 | 5 | 5 | 5 |
| 125 | 100 | 175 | 119 | 2.5 | 319.9 | 11 | 13 | 25 | 25 | 14 | 5 | 5 | 5 | 5 |
| 150 | 100 | 205 | 145 | 2.5 | 349.9 | 13 | 14 | 29 | 29 | 14 | 6 | 6 | 6 | 5 |
| 200 | 133 | 255 | 196 | 2.5 | 393.6 | 19 | 14 | 29 | 29 | 14 | 6 | 6 | 6 | 5 |
| 250 | 170 | 315 | 244 | 3.0 | 469.8 | 25 | 14 | 29 | 29 | 14 | 6 | 6 | 6 | 5 |
| 300 | 190 | 360 | 292 | 3.0 | 528.0 | 30 | 14 | 29 | 29 | 14 | 6 | 6 | 6 | 5 |

T.M. = Transverse Movement
 A.E. = Axial Elongation
 A.C. = Axial Compression
 A.M. = Angular Movement

- Mass indicates only the case of JIS 10K flanges.
- Use the products within the given allowable movements.
- Installation tolerances are included in the allowable movements.
 (Allowable movements = Tolerances for installation + Operating movements)
- Please note that information in the above table are for single movement only. In case of complex movements, some correction is required.

• Operating Condition



• Notes

- Information in the above table is for single movement only. In case of complex movements, follow the below expression.

$$C.EL(C) = A.EL(C) \times \left\{ 1 - \frac{(A.T.M. - T.M.) \times (A.A.M. - A.M.)}{A.T.M. \times A.A.M.} \right\}$$

C.EL(C) = Correct Elongation (Compression)
 A.EL(C) = Allowable Elongation (Compression)
 A.T.M. = Allowable Transverse Movement

T.M. = Transverse Movement
 A.A.M. = Allowable Angular Movement
 A.M. = Angular Movement

- Install the joint according to the above given allowable dimensions.

• Tightening Torque for Installation Bolts

Please tighten the installation bolts with the following torque.

| Nominal Dia. (A) | Tightening Torque N·cm (kgf·cm) | Nominal Dia. (A) | Tightening Torque N·cm (kgf·cm) |
|---------------------|------------------------------------|---------------------|------------------------------------|
| 20-25 | 1764 (180) | 125 | 6566 (670) |
| 32-40 | 2450 (250) | 150 | 8134 (830) |
| 50 | 3430 (350) | 200 | 6566 (670) |
| 65 | 4018 (410) | 250 | 9506 (970) |
| 80 | 2646 (270) | 300 | 7840 (800) |
| 100 | 4018 (410) | - | - |

• Installation Instructions

- All pipe lines should be properly supported so that the expansion joints do not carry any pipe load.
- Do not remove the protecting board attached to the FLONEX until actual installation. If the protecting board is removed for a long time, the flare face of the joint may curve irregularly. Meanwhile, dust, dirt or other foreign objects may enter into the bellows.
- Clean the flare face of the expansion joints. Remove all dirt, burrs and sharp edges from the counter flanges by means of file or sandpaper.
- Bolts should not stuck out more than 3mm. from the reverse side of the flanges.
- Bolts should be tightened equally by alternating around the flange.
- Limit bolts and nuts are pre-set. Do not remove or adjust without any specific instructions.
- Clean all foreign objects from the corrugation of the bellow, especially any objects found around the control rings.
- Any detachment of the expansion joints must be performed under 100°C. Attach the protecting board to the flare face of the bellow.
- Pay attention to protect the expansion joints from damage by heat or welding sparks.
- Limit bolts are pre-set at the factory to fix the maximum overall length of FLONEX. In case the limit bolts are used as tie rods in the condition of insufficient pipe support, please apply them under the following pressure as maximum pressure.

| Nominal Dia.(A) | Max. Pressure (kgf/cm ²) 3-Bellows |
|-----------------|---|
| 20 | 7 |
| 25 | 7 |
| 32 | 7 |
| 40 | 7 |
| 50 | 7 |
| 65 | 7 |
| 80 | 7 |

| Nominal Dia.(A) | Max. Pressure (kgf/cm ²) 3-Bellows |
|-----------------|---|
| 100 | 7 |
| 125 | 7 |
| 150 | 7 |
| 200 | 4.5 |
| 250 | 4.5 |
| 300 | 4.5 |
| - | - |

All details are subject to change without prior notice.

TOZEN INDUSTRIAL CO., LTD.
 3388/62 18TH FLOOR, SIRINRAT BLDG.,
 RAMA IV Rd., BANGKOK 10110 THAILAND
 TEL : (66) 0-2029-0100
 FAX : (66) 0-2029-0111
 E-MAIL : sales@tt.tozen.com
 URL : www.tozen.co.th

TOZEN CORPORATION.
 8-4, ASAHI YOSHIKAWA
 SAITAMA 342-008 JAPAN
 TEL : 048-993-1030
 FAX : 048-993-1038