

## Submersible Drainage Pumps UNIVERSAL TYPE

### BTR series (1.5·2.2·3.7·5.5kW)

#### ●Light weight.

Weight is remarkably reduced to the minimum by incorporating plenty of lightweight materials.

#### ●Employing a new development motor.

Our newly developed special motor suppresses the rotor temperature rise to the minimum thereby completely preventing the motor from trouble such as burning due to overloading, the weak point of the ordinary single suction model. As a result, the service life of the new model has been remarkably extended to more than 3 times (as compared to our ordinary models).

#### ●Wear resistance is furthermore enhanced by selection of new material.

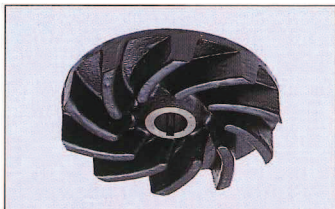
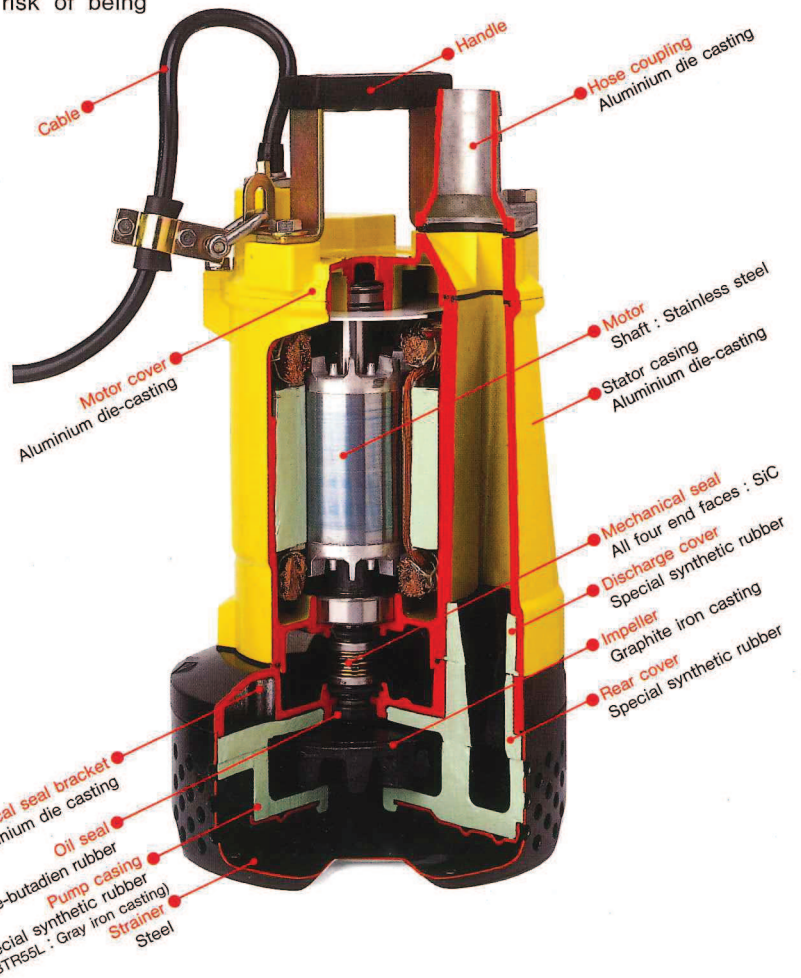
A new material, the special synthetic rubber, is carefully selected for use in the pump section such as casing, rear liner and discharge cover thus dramatically reducing the risk of being involved in trouble in the event of using the earth and sand-mixed water or muddy water.

#### ●Easy maintenance.

Impeller is simply disassembled from the pump section by just removing a few fixing bolts from the strainer. In addition, the single suction structure is adopted in the same manner as before eliminating the outer casing.

#### ●Vortex type Impeller.

Impeller is a vortex type thus saving the trouble of adjusting the impeller clearance. The new pump allows for smooth passing of foreign matter thereby almost always precluding such trouble as a lock of pump operation due to clogging or blocking.



# Standard Specifications

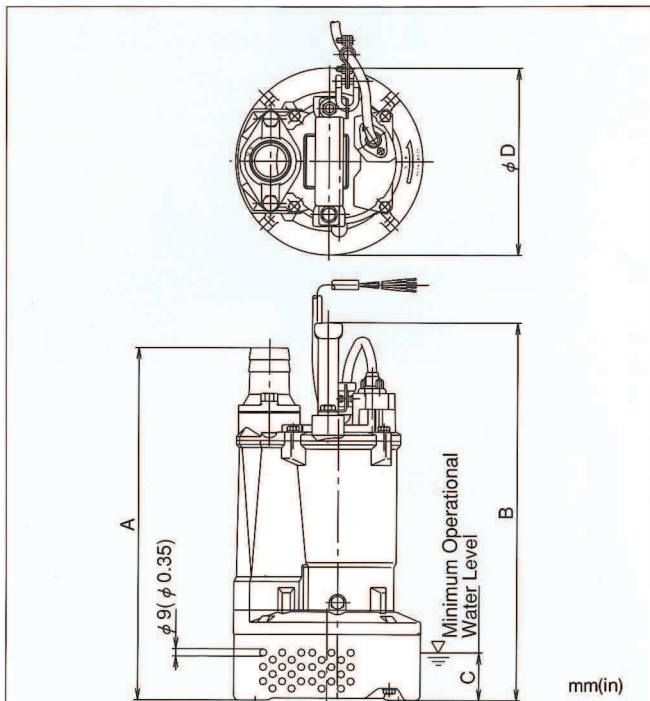
| Bore    |      | Pump Model | Phase | Output<br>kW | Capacity – Total Head |            |            |            | No. of<br>poles | Weight<br>(Bare Pump) |      |
|---------|------|------------|-------|--------------|-----------------------|------------|------------|------------|-----------------|-----------------------|------|
|         |      |            |       |              | m <sup>3</sup> /min–m |            | USG/min–ft |            |                 | kg                    | lbs  |
|         |      |            |       |              | 50Hz                  | 60Hz       | 50Hz       | 60Hz       |                 |                       |      |
| 50(80)  | 2(3) | BTR15      | 3-ph  | 1.5          | 0.3–11.0              | 0.3–11.8   | 79.3–36.1  | 79.3–38.7  | 2               | 19.0                  | 41.9 |
| 80(50)  | 3(2) | BTR22      |       | 2.2          | 0.3–16.0              | 0.3–16.5   | 79.3–52.5  | 79.3–54.1  |                 | 22.0                  | 48.5 |
|         |      | BTR37H     |       | 3.7          | 0.2–30.5              | 0.2–30.8   | 52.8–100   | 52.8–101   |                 | 34.0                  | 75.0 |
| 100(80) | 4(3) | BTR37L     |       |              | 0.4–20.0              | 0.4–21.0   | 105.7–65.6 | 105.7–68.9 |                 |                       |      |
|         |      | BTR55      |       | 5.5          | 0.7–17.5              | 0.7–18.5   | 184.9–57.4 | 184.9–60.7 |                 | 42.0                  | 92.6 |
|         |      | BTR55L     | –     | 1.2–15.0     | –                     | 317.0–49.2 | 43.0       | 94.8       |                 |                       |      |

\*Bores given in ( ) are also available (optional). \*Starting method is direct-on-line.

## Standard Accessories

- Cable [8m(26ft)] ..... 1 each
- Hose-coupling ..... 1 each

## Dimensions



| Pump Model | A         | B         | C       | D         |
|------------|-----------|-----------|---------|-----------|
| BTR15      | 441(17.4) | 474(18.7) | 60(2.4) | 235(9.3)  |
| BTR22      | 488(19.2) |           |         |           |
| BTR37H     | 570(22.4) | 543(21.4) | 80(3.2) | 284(11.2) |
| BTR37L     | 589(23.2) |           |         |           |
| BTR55·55L  | 626(24.6) | 582(22.9) |         |           |

Specifications and dimensions are subject to change without notice.

### ShinMaywa Industries, Ltd.

International Business Group  
Sales & Marketing Dept., Fluid Div. 3-2-43, Shitte, Tsurumi-ku, Yokohama, 230-0003, Japan  
Phone : +81-45-584-1322 Fax : +81-45-575-2286  
E-mail : sales.eisui@shinmaywa.co.jp

### ShinMaywa (America), Ltd.

10737 Gateway West, Suite 240,  
El Paso, Texas 79935, U.S.A.  
Phone : +1-915-594-9862  
Fax : +1-915-594-9866  
E-mail : info@shinmaywaamerica.com

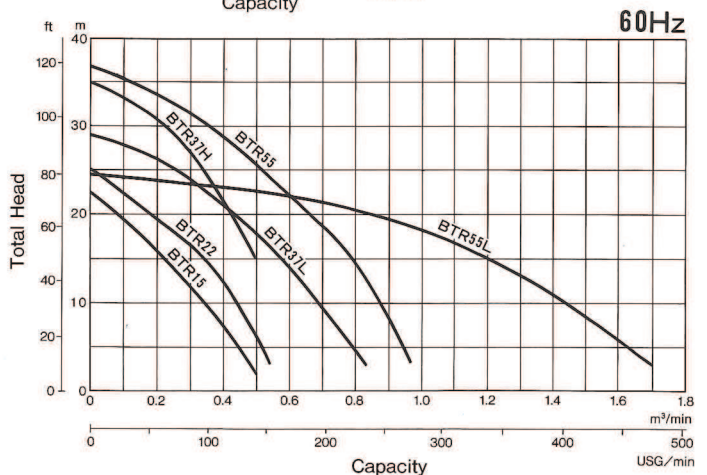
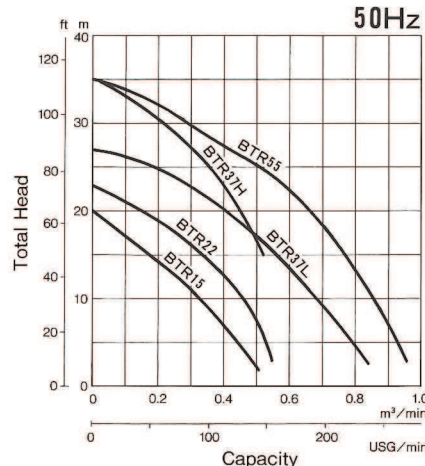
### ShinMaywa (Asia) Pte. Ltd.

8 Burn Road, #14-10 Trivex,  
Singapore 369977  
Phone : +65-6224-0728  
Fax : +65-6224-9678  
E-mail : asia.ad@shinmaywa.com.sg

### ShinMaywa (Shanghai) Trading Co., Ltd.

201107 Building 6, Lane 333, Zhujian Road,  
Minhang District, Shanghai, China  
Phone : +86-21-5296-2966  
Fax : +86-21-5296-2970  
E-mail : shanghai@shinmaywa.co.jp

## Performance Curves



## Packing Size

| Pump Model | Length<br>L      | Width<br>W       | Height<br>H      |
|------------|------------------|------------------|------------------|
| BTR15·22   | 250mm<br>(9.8")  | 250mm<br>(9.8")  | 540mm<br>(21.3") |
| BTR37H·37L | 325mm<br>(12.8") | 325mm<br>(12.8") | 685mm<br>(27")   |
| BTR55·55L  | 325mm<br>(12.8") | 325mm<br>(12.8") | 725mm<br>(28.5") |



### ShinMaywa ONO PLANT

ISO 9001(No.956445)/ISO 14001(No.771888)