

Submersible Drainage Pumps UNIVERSAL TYPE

BTR-S series

Light and Compact, yet Tough

The BTR-S series are SINGLE PHASE electric-motor-driven submersible dewatering pump. It is lightweight and compact, which means that it can be put to work quickly anywhere where water has to be pumped away.

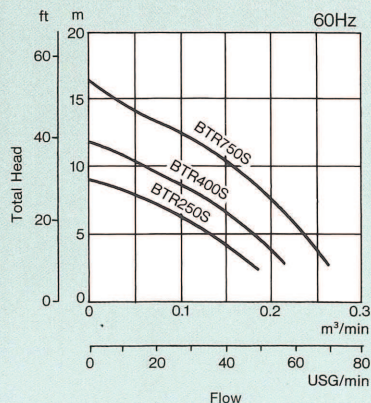
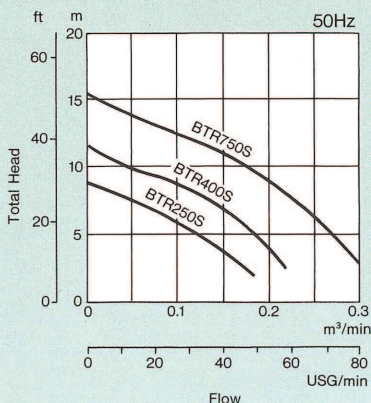
Applications

- Ditches
 - Small construction sites
 - Manholes
 - Basements
- **Cable:** Core seal prevents water penetration.
 - **Motor:** Small, light weight and high efficiency.
 - **Thermal protector (Auto-reset):** Automatically to prevent from overheating.
 - **Shaft seal:** Double mechanical seal.
 - **Pump housing:** Special synthetic rubber for rear cover and suction plate.
 - **Impeller:** Vortex type impeller which creates large liquid flow path and so it has no trouble of impeller lock caused by sand or foreign objects, and no clearance adjustment is required at maintenance. Employing special urethane rubber with higher wear resistance.
 - **strainer:** Attached at suction side of the housing to prevent large foreign objects from entering, and big hole size. (φ 7.5mm)
 - **Pump diameter:** φ182mm only, It is the smallest size among the same class.

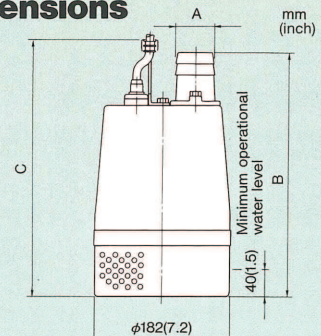


BTR400S

Performance



Dimensions



Model	A	B	C
BTR250S	40(1½)	314(12.4)	340(13.4)
BTR400S	50(2)	324(12.7)	
BTR750S		368(14.4)	384(15.1)

Standard specifications

Bore		Pump Model	Phase	Output kW	Flow—Total Head				Pole	Weight	
					m ³ /min—m		USG/min—ft			kg	lbs
					50Hz	60Hz	50Hz	60Hz			
40	1½	BTR250S	Single	0.25	0.1—6.0	0.1—6.0	26.4—19.7	26.4—19.7	2	9.0	19.8
50	2	BTR400S		0.4	0.12—8.0	0.12—8.0	31.7—26.2	31.7—26.2			
		BTR750S		0.75	0.17—10.0	0.16—10.0	44.9—32.8	42.3—32.8			

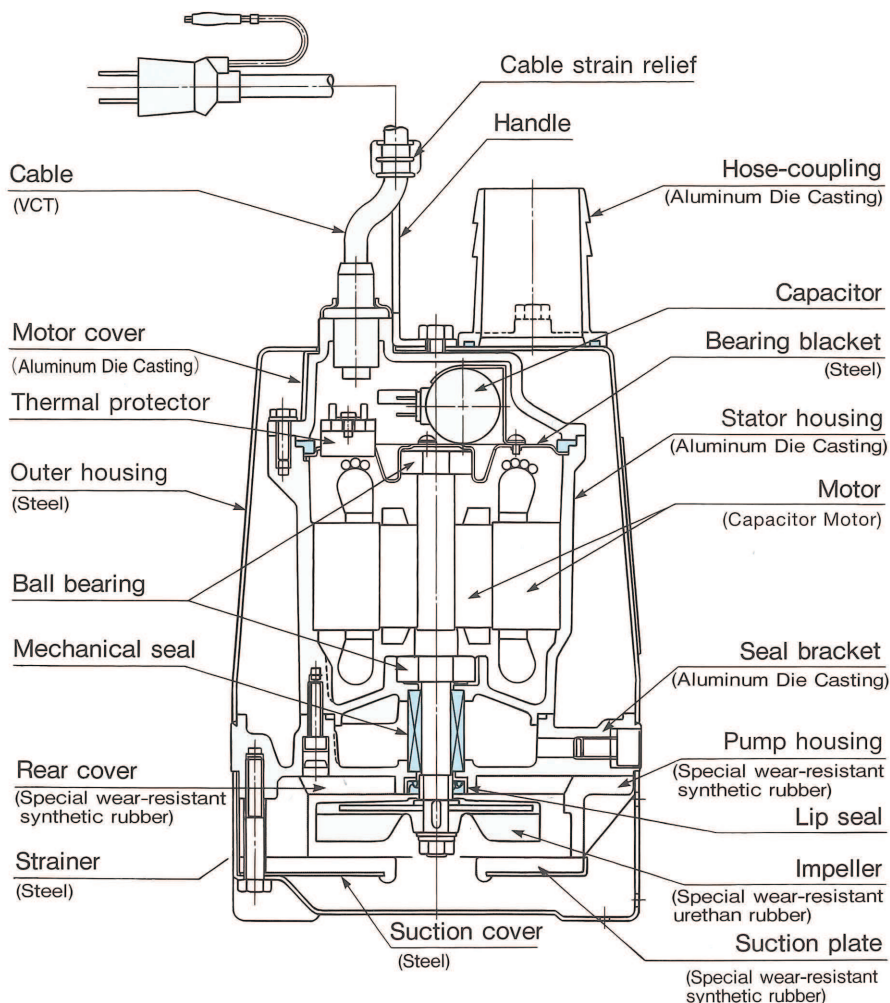
Standard accessories

- Cable (5m).....1 each
- Hose-coupling1 each
- Cable strain relief1 each

Features

1. The unit is reduced the weight by adopting the compact capacitor motor and reducing the main parts size.
2. Maintenance
By removing only three bolts, the pump can be disassembled.
Pump housing and impeller vane maintenance is simple.

Construction



Specifications and dimensions are subject to change without notice.

ShinMaywa Industries, Ltd.

International Business Group
Sales & Marketing Dept., Fluid Div.

3-2-43, Shitte, Tsurumi-ku, Yokohama, 230-0003, Japan
Phone : +81-45-584-1322 Fax : +81-45-575-2286
E-mail : sales.eisui@shinmaywa.co.jp

ShinMaywa (America), Ltd.

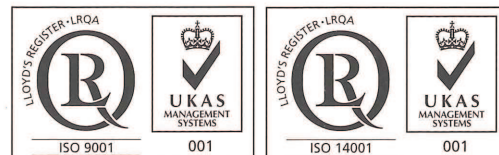
10737 Gateway West, Suite 240,
El Paso, Texas 79935, U.S.A.
Phone : +1-915-594-9862
Fax : +1-915-594-9866
E-mail : info@shinmaywaamerica.com

ShinMaywa (Asia) Pte. Ltd.

8 Burn Road, #14-10 Trivex,
Singapore 369977
Phone : +65-6224-0728
Fax : +65-6224-9678
E-mail : asia.ad@shinmaywa.com.sg

ShinMaywa (Shanghai) Trading Co., Ltd.

201107 Building 6, Lane 333, Zhujian Road,
Minhang District, Shanghai, China
Phone : +86-21-5296-2966
Fax : +86-21-5296-2970
E-mail : shanghai@shinmaywa.co.jp



ShinMaywa ONO PLANT

ISO 9001(No.956445)/ISO 14001(No.771888)