

## Submersible Trash Pumps

### BHV401S

**High Durability! Tough against sand lock employed with vortex flow!**

- In combination with small size capacitor motor and light body, body weight has been reduced 60% against former model so that easy transportation is achieved.
- Easy for assembly, disassembly and maintenance.
- Equipped with 3 terminal type auto-cut and high efficiency torque capacitor motor to prevent against motor burning by overload.
- Improved durability by employing double mechanical seal and oil seal.



#### Applications

- Drainage at construction site
- Pumping and drainage for agricultural purpose
- Drainage at basement and cable pit
- Emergency water supply and drainage at home



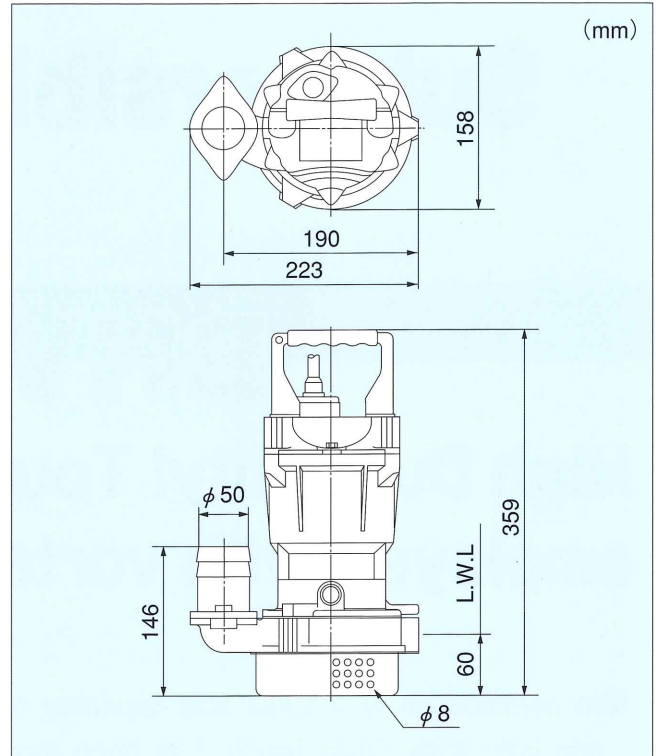
## Standard Specifications

Bore (mm)	Model	Output (kW)	Voltage (V)	Q—H		Poles (P)	Weight (kg)
				m <sup>3</sup> /min—m			
				50Hz	60Hz		
50	BHV401S	0.4	Single Phase	0.1—8.0	0.1—8.0	2	10

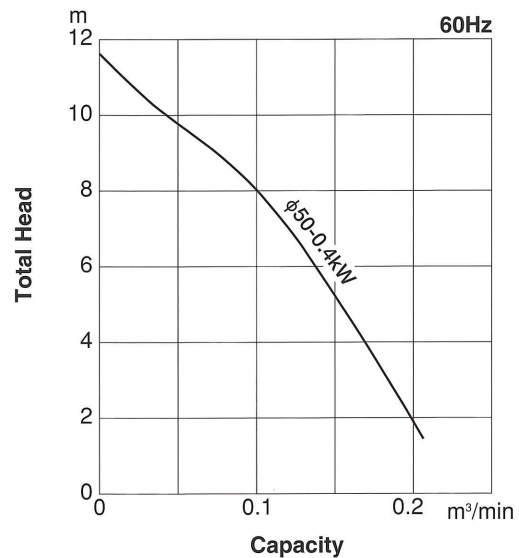
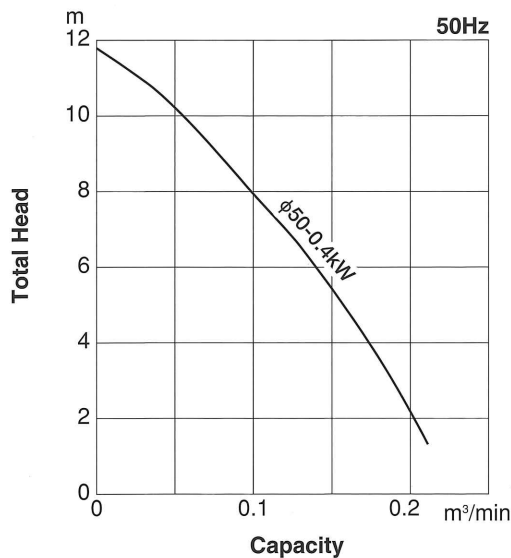
## Standard Accessories

- Cable [5m] ..... 1
- Hose Coupling ..... 1

## Dimensions



## Performance Curves



Specifications and dimensions are subject to change without notice.

### ShinMaywa Industries, Ltd.

International Business Group  
Sales & Marketing Dept., Fluid Div. 3-2-43, Shitte, Tsurumi-ku, Yokohama, 230-0003, Japan  
Phone : +81-45-584-1322 Fax : +81-45-575-2286  
E-mail : sales.eisui@shinmaywa.co.jp

### ShinMaywa (America), Ltd.

10737 Gateway West, Suite 240,  
El Paso, Texas 79935, U.S.A.  
Phone : +1-915-594-9862  
Fax : +1-915-594-9866  
E-mail : info@shinmaywaamerica.com

### ShinMaywa (Asia) Pte. Ltd.

8 Burn Road, #14-10 Trivex,  
Singapore 369977  
Phone : +65-6224-0728  
Fax : +65-6224-9678  
E-mail : asia.ad@shinmaywa.com.sg

### ShinMaywa (Shanghai) Trading Co., Ltd.

201107 Building 6, Lane 333, Zhujian Road,  
Minhang District, Shanghai, China  
Phone : +86-21-5296-2966  
Fax : +86-21-5296-2970  
E-mail : shanghai@shinmaywa.co.jp



### ShinMaywa ONO PLANT

ISO 9001(No.956445)/ISO 14001(No.771888)