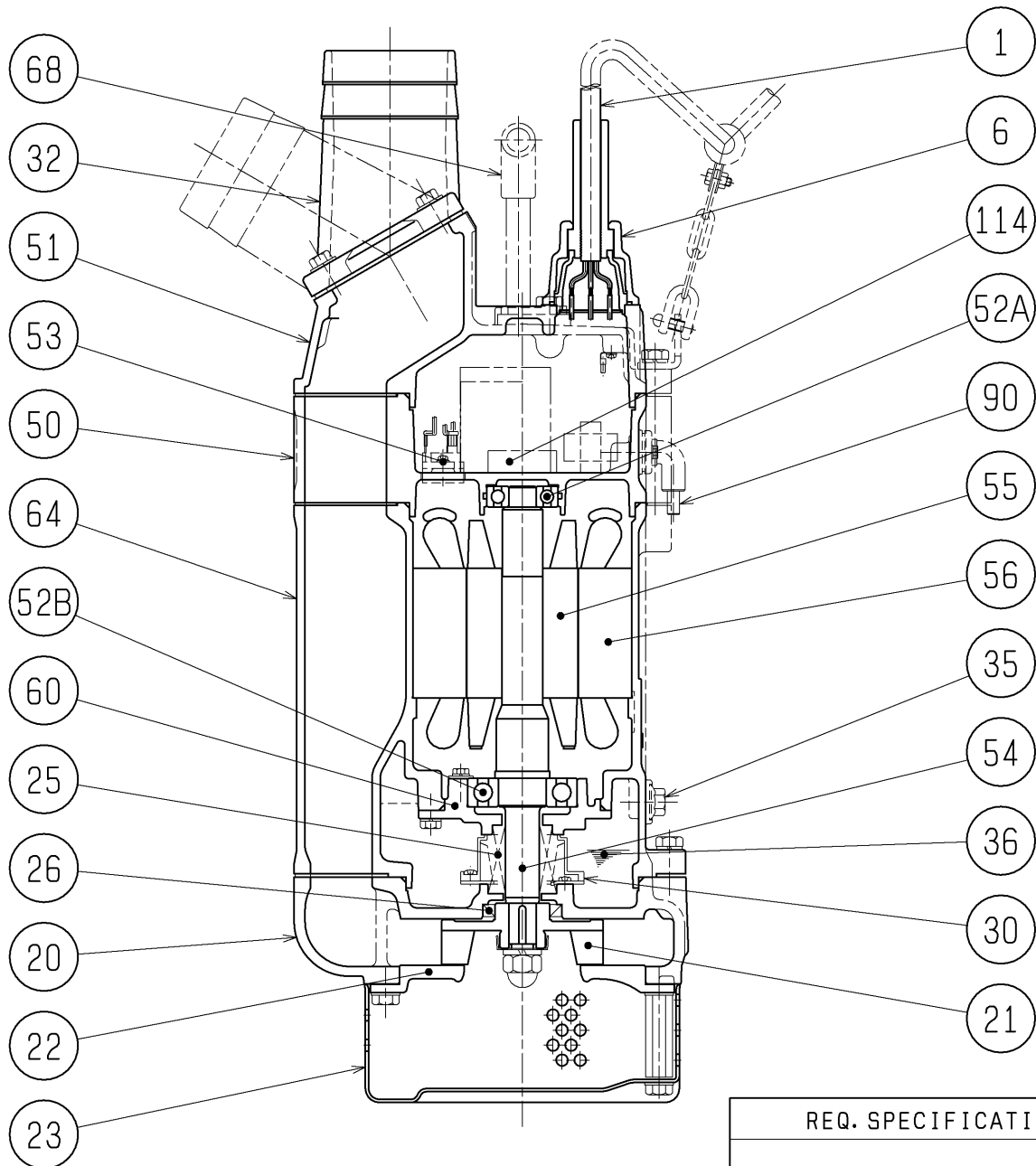


SECTIONAL DRAWING		No.	No. A-21048-2
TYPE	SUBMERSIBLE GENERAL DEWATERING PUMP	MODEL	KTZE23.7 -51/61, KTZE33.7 -51/61 KTZE43.7 -51/61



REQ. SPECIFICATION	

※ the wetted part

No.	DESCRIPTION	Q'TY	MATERIAL / NOTE	No.	DESCRIPTION	Q'TY	MATERIAL / NOTE
1	Cabtyre Cable	1	Chloroprene Sheath	52A	Upper Bearing	1	6304ZC3
6	Stuffing Box	1	Gray Iron Casting	52B	Lower Bearing	1	6307ZC3
20	Pump Casing	1	Gray Iron Casting	53	Motor Protector	1	
21	Impeller	1	Chromium Iron Casting	54	Shaft	1	Stainless Steel 420J2(※)
22	Suction Cover	1	Ductile Iron Casting	55	Rotor	1	
23	Strainer Stand	1	Steel Sheet	56	Stator	1	
25	Mechanical Seal	1	H-25T	60	Bearing Housing	1	Gray Iron Casting
26	Oil Seal	1	TC40588	64	Motor Frame	1	Gray Iron Casting
30	Oil Lifter	1	Plastic	68	Handle	1	Carbon Steel Pipe & Structure Steel
32	Hose Coupling	1	Aluminium Die Casting	90	Level Sensor(Electrode)	1	
35	Oil Plug	1	Stainless Steel 304	114	Relay Unit	1	
36	Lubricant		Turbine Oil (ISO VG32)				
50	Motor Bracket	1	Gray Iron Casting				
51	Head Cover	1	Gray Iron Casting				