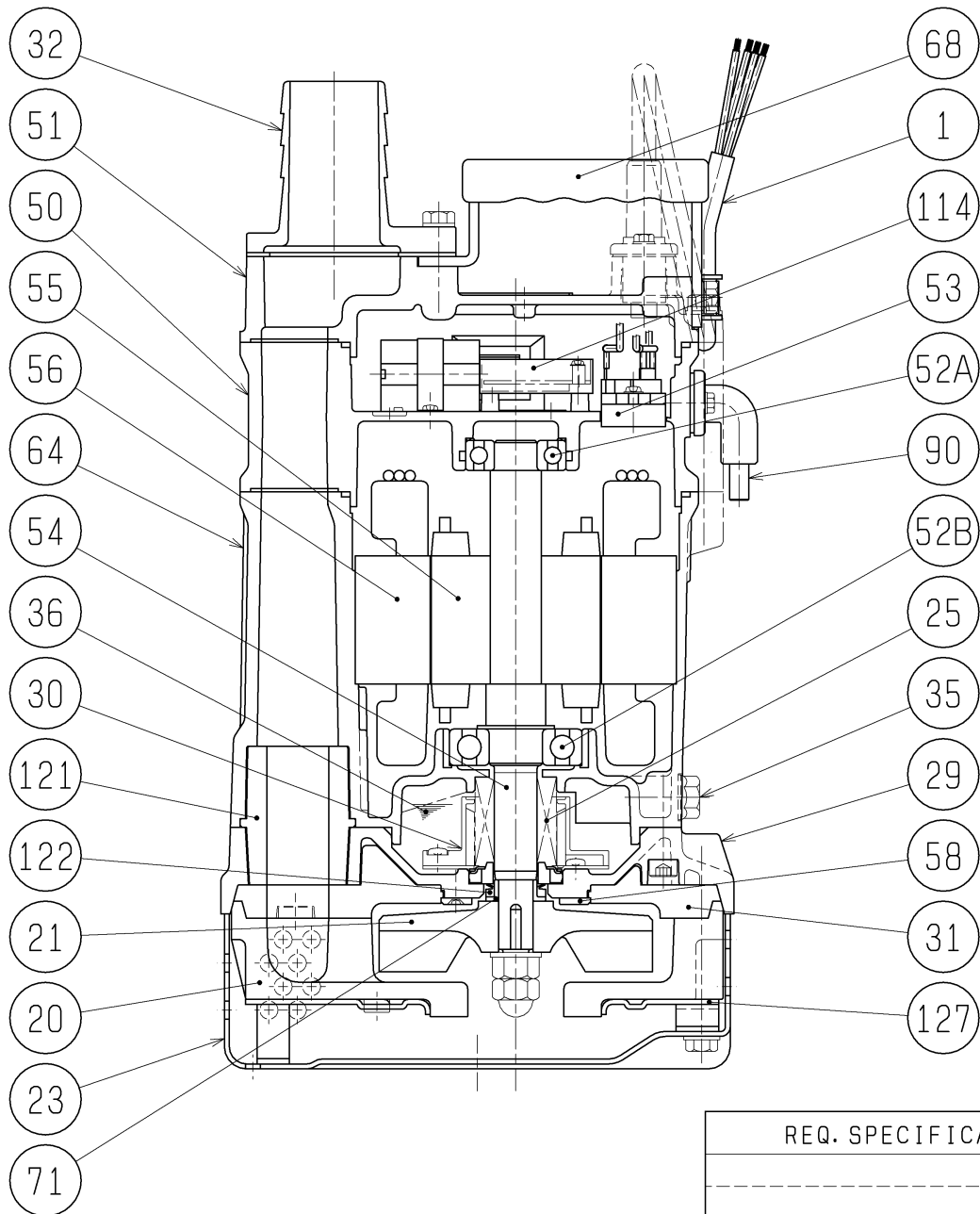


SECTIONAL DRAWING		No.	No.	A-05402-6
TYPE	SUBMERSIBLE GENERAL DEWATERING VORTEX PUMP	MODEL	KTVE21.5 -51/61 KTVE22.2 -51/61	



REQ. SPECIFICATION	

No.	DESCRIPTION	Q'TY	MATERIAL / NOTE	No.	DESCRIPTION	Q'TY	MATERIAL / NOTE
1	Cabtyre Cable	1	PVC Sheath	53	Motor Protector	1	
20	Pump Casing	1	Butadien Rubber + Natural Rubber	54	Shaft	1	Stainless Steel 403
21	Impeller	1	Ductile Iron Casting	55	Rotor	1	
23	Strainer Stand	1	Steel Sheet	56	Stator	1	
25	Mechanical Seal	1	H-20T	58	Protection Plate	1	Stainless Steel 304
29	Oil Casing	1	Aluminium Die Casting	64	Motor Frame	1	Aluminium Die Casting
30	Oil Lifter	1	Plastic	68	Handle	1	Steel Sheel & Rubber
31	Rear Liner	1	Butadien Rubber + Natural Rubber	71	Shaft Sleeve	1	Stainless Steel 304
32	Hose Coupling	1	Aluminium Die Casting	90	Level Sensor(Electrode)	1	
35	Oil Plug	1	Stainless Steel 304	114	Relay Unit	1	
36	Lubricant		Turbine Oil (ISO VG32)	121	Packing	1	Styrene Butadien Rubber
50	Motor Bracket	1	Aluminium Die Casting	122	V-ring	1	Nitrile Butadien Rubber
51	Head Cover	1	Aluminium Die Casting	127	Fittings	1	Steel Sheet
52A	Upper Bearing	1	6204ZZC3				
52B	Lower Bearing	1	6305ZZC3				