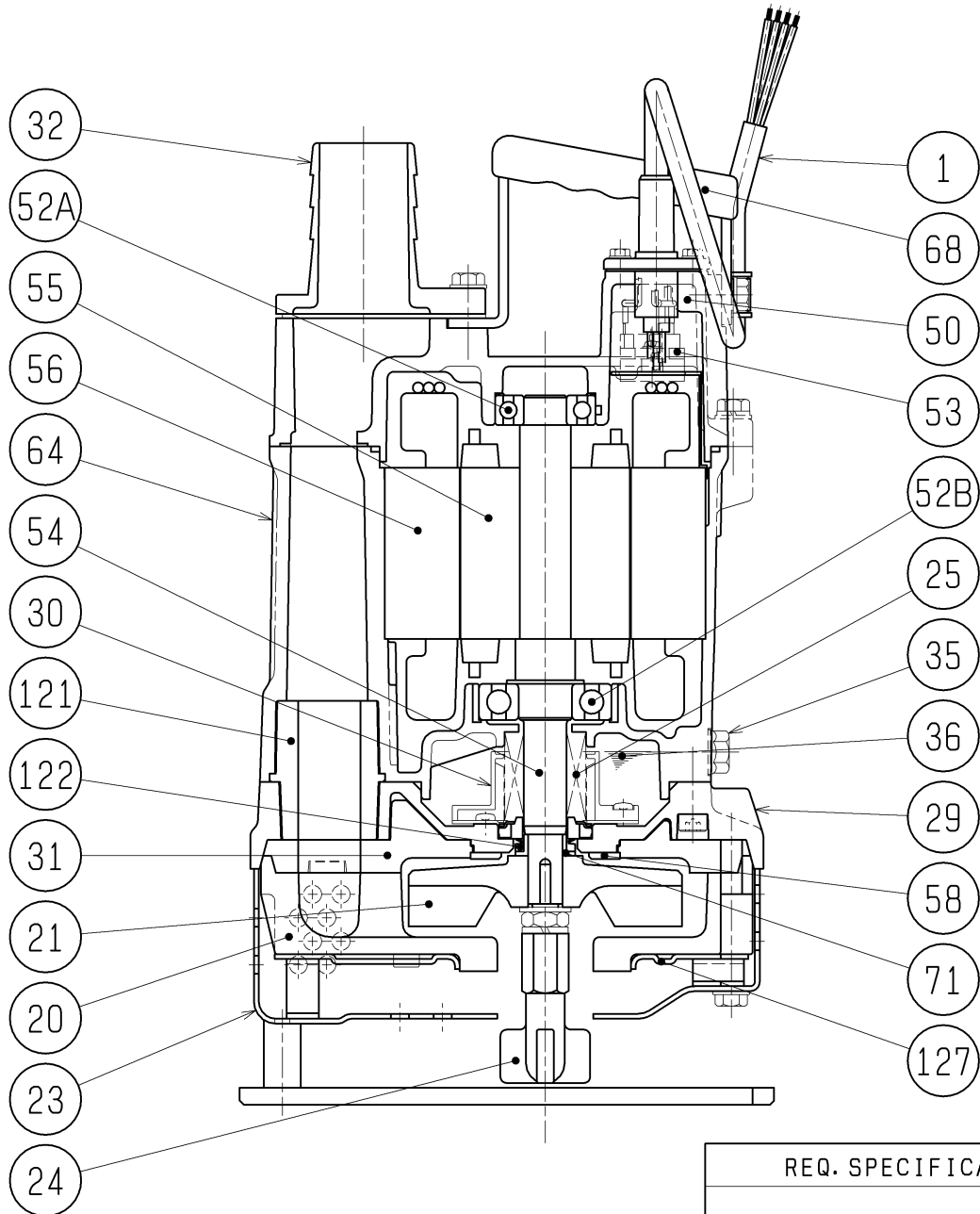


<b>SECTIONAL DRAWING</b>		No.	No.
TYPE Submersible Slurry Pump		MODEL KTV2-50	
		No. A-22079-1	



REQ. SPECIFICATION	
-----	
-----	

No.	DESCRIPTION	QTY	MATERIAL / NOTE	No.	DESCRIPTION	QTY	MATERIAL / NOTE
1	Cabtyre Cable	1	PVC Sheath	52B	Lower Bearing	1	6305ZZC3
20	Pump Casing	1	Butadiene Rubber + Natural Rubber	53	Motor Protector	1	
21	Impeller	1	Chromium Iron Casting	54	Shaft	1	Stainless Steel 403
23	Strainer Stand	1	Steel Sheet & Carbon Steel Pipe	55	Rotor	1	
24	Stirrer	1	Ductile Iron Casting	56	Stator	1	
25	Mechanical Seal	1	H-20T	58	Protection Plate	1	Stainless Steel 304
29	Oil Casing	1	Aluminium Die Casting	64	Motor Frame	1	Aluminium Die Casting
30	Oil Lifter	1	Plastic	68	Handle	1	Steel Sheel & Rubber
31	Rear Liner	1	Butadiene Rubber	71	Shaft Sleeve	1	Stainless Steel 304
32	Hose Coupling	1	Aluminium Die Casting	121	Packing	1	Styrene Butadiene Rubber
35	Oil Plug	1	Stainless Steel 304	122	V-ring	1	Nitrile Butadiene Rubber
36	Lubricant		Turbine Oil (ISO VG32)	127	Fixing Plate	1	Steel Sheet
50	Motor Bracket	1	Aluminium Die Casting				
52A	Upper Bearing	1	6204ZZC3				