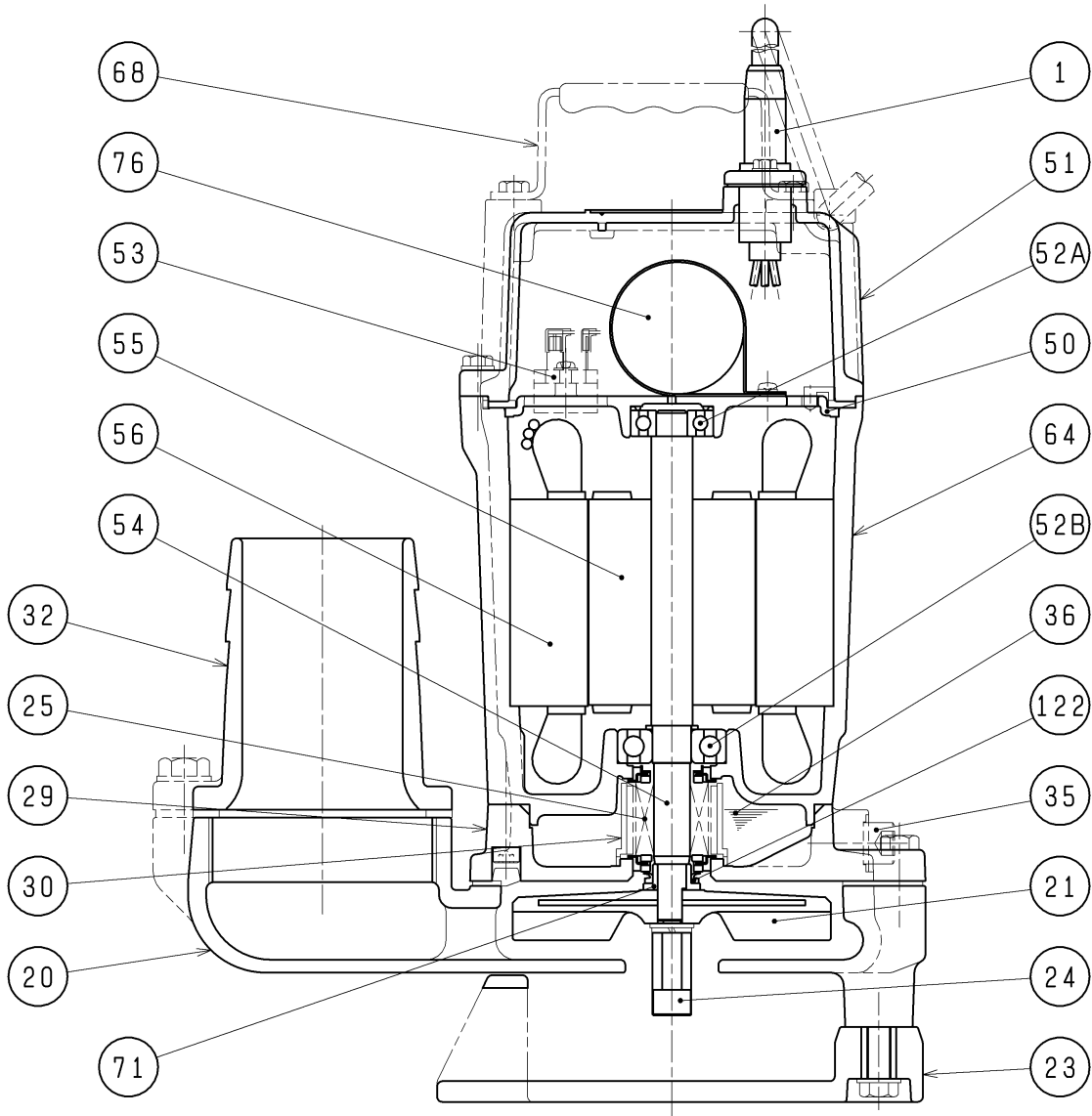


SECTIONAL DRAWING		No.	No. A-20964-2
TYPE	Submersible Portable Dewatering Pump	MODEL	HS3.75S -52/62



สนใจชิ้นส่วนอะไหล่ สอบถามเพิ่มเติมได้ที่

Tel: 076-513100-3 หรือ LINE: @chainarissshop ได้เลยครัช



REQ. SPECIFICATION

※ the wetted part

No.	DESCRIPTION	QTY	MATERIAL / NOTE	No.	DESCRIPTION	QTY	MATERIAL / NOTE
1	Cabtyre Cable	1	PVC Sheath	52A	Upper Bearing	1	6201ZC3
20	Pump Casing	1	Ductile Iron Casting	52B	Lower Bearing	1	6302ZC3
21	Impeller	1	Urethane Rubber	53	Motor Protector	1	
23	Strainer Stand	1	Vinyl Chloride	54	Shaft	1	Stainless Steel 403(※)
24	Agitator	1	Sintered Alloy	55	Rotor	1	
25	Mechanical Seal	1	W-14VC	56	Stator	1	
29	Oil Casing	1	Ductile Iron Casting	64	Motor Frame	1	Aluminium Die Casting
30	Oil Lifter	1	Plastic	68	Handle	1	Steel Sheet & Natural Rubber
32	Hose Coupling	1	Aluminium Die Casting	71	Shaft Sleeve	1	Stainless Steel 304
35	Oil Plug	1	Stainless Steel 304	76	Capacitor	1	
36	Lubricant		Turbine Oil (ISO VG32)	122	V-ring	1	Nitrile Butadiene Rubber
50	Motor Bracket	1	Aluminium Die Casting				
51	Motor Head Cover	1	Aluminium Die Casting				