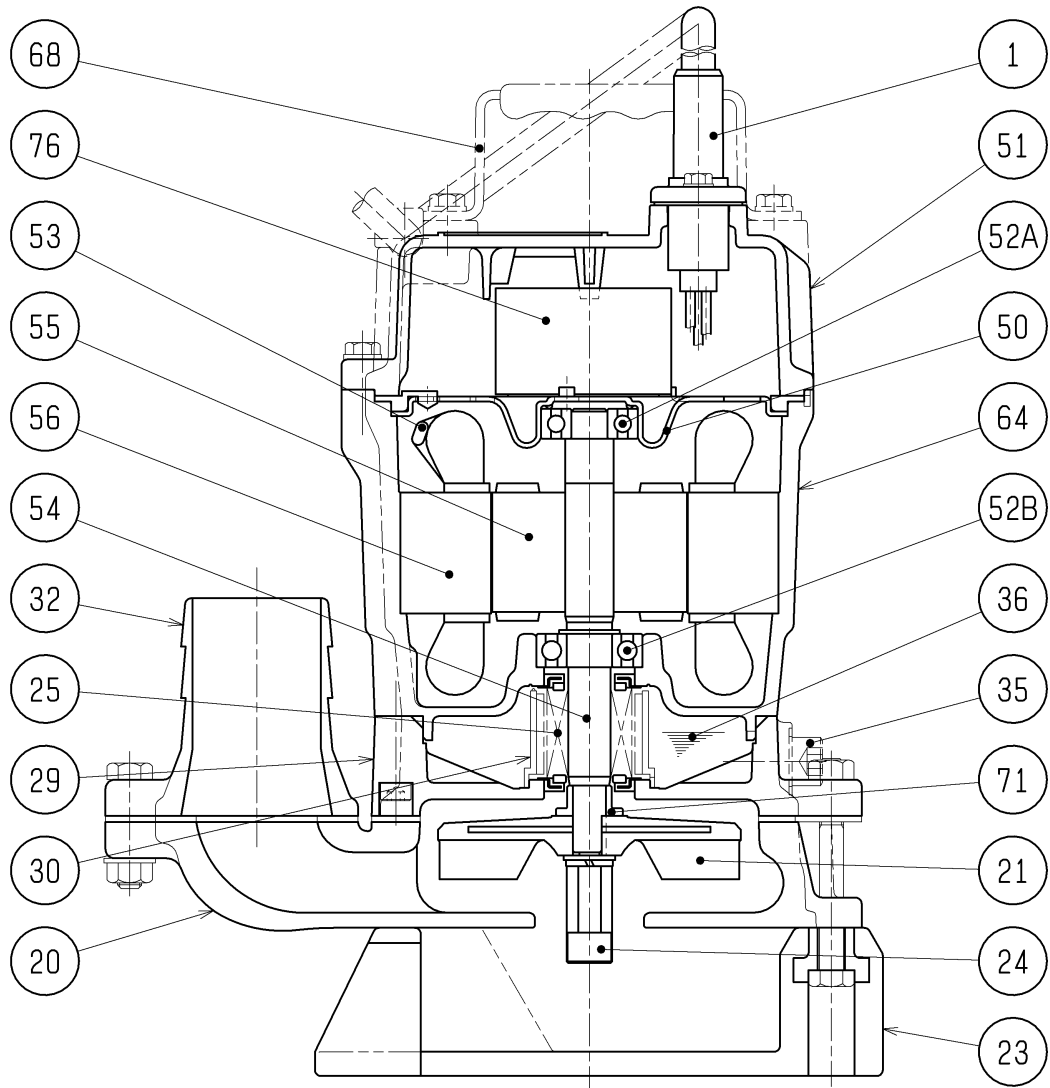


SECTIONAL DRAWING		No.	No. A-09153-7
TYPE	Submersible Portable Dewatering Pump	MODEL	HS2.4S -53/63



สนใจชิ้นส่วนอะไหล่ สอบถามเพิ่มเติมได้ที่

Tel: 076-513100-3 หรือ LINE: @chainarissshop ได้เลยครับ



REQ. SPECIFICATION

No.	DESCRIPTION	QTY	MATERIAL / NOTE	No.	DESCRIPTION	QTY	MATERIAL / NOTE
1	Cabtyre Cable	1	PVC Sheath	52A	Upper Bearing	1	6201ZZC3
20	Pump Casing	1	Gray Iron Casting	52B	Lower Bearing	1	6202ZZC3
21	Impeller	1	Urethane Rubber	53	Motor Protector	1	
23	Strainer Stand	1	Vinyl Chloride	54	Shaft	1	Stainless Steel 403
24	Agitator	1	Sintered Alloy	55	Rotor	1	
25	Mechanical Seal	1	W-14VCA	56	Stator	1	
29	Oil Casing	1	Gray Iron Casting	64	Motor Frame	1	Aluminium Die Casting
30	Oil Lifter	1	Plastic	68	Handle	1	Steel Sheet & Natural Rubber
32	Hose Coupling	1	Aluminium Die Casting	71	Shaft Sleeve	1	Stainless Steel 304
35	Oil Plug	1	Stainless Steel 304	76	Capacitor	1	
36	Lubricant		Turbine Oil (ISO VG32)				
50	Motor Bracket	1	Steel Sheet				
51	Motor Head Cover	1	Aluminium Die Casting				