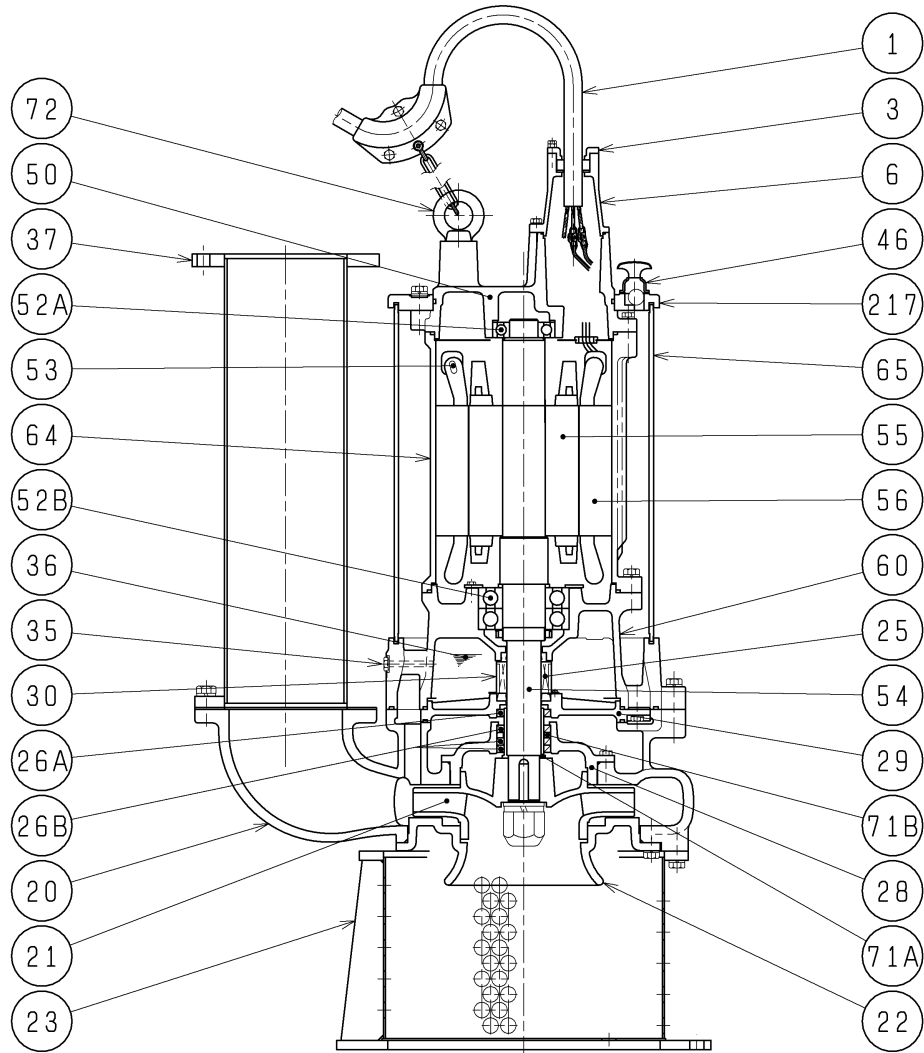


SECTIONAL DRAWING		No.	No. A-19332-1
TYPE	Submersible Dewatering Pump	MODEL	GSZ4-45-4



สนใจชิ้นส่วนอะไหล่ สอบถามเพิ่มเติมได้ที่

Tel: 076-513100-3 หรือ LINE: @chainarissshop ได้เลยครับ



REQ. SPECIFICATION

No.	DESCRIPTION	QTY	MATERIAL / NOTE	No.	DESCRIPTION	QTY	MATERIAL / NOTE
1	Cabtyre Cable	2	Chloroprene Sheath (For the Power)	46	Air Release Valve	1	Steel Plate
		1	PVC Sheath (For the Control)	50	Motor Bracket	1	Gray Iron Casting
3	Gland	2	Gray Iron Casting	52A	Upper Bearing	1	6310ZZC3
6	Stuffing Box	2	Gray Iron Casting	52B	Lower Bearing	1	6315ZZD2C3
20	Pump Casing	1	Gray Iron Casting	53	Motor Protector	3	
21	Impeller	1	Chromium Iron Casting	54	Shaft	1	Stainless Steel 420J2
22	Suction Cover	1	Gray Iron Casting	55	Rotor	1	
23	Strainer Stand	1	Structure Steel	56	Stator	1	
25	Mechanical Seal	1	H-60	60	Bearing Housing	1	Gray Iron Casting
26A	Oil Seal	1	TC709513	64	Motor Frame	1	Gray Iron Casting
26B	Oil Seal	3	TC709513	65	Outer Cover	1	Carbon Steel Pipe
28	Seal Housing	1	Gray Iron Casting	71A	Shaft Sleeve	1	Stainless Steel 403
29	Oil Casing	1	Gray Iron Casting	71B	Spacer	1	Stainless Steel 403
30	Oil Lifter	1	Steel Plate	72	Eye Bolt	2	Structure Steel
35	Oil Plug	2	Stainless Steel 304	217	Fixing Plate	1	Gray Iron Casting
36	Lubricant		Turbine Oil (ISO VG32)				
37	Discharge Pipe	1	Carbon Steel Pipe & Structure Steel				