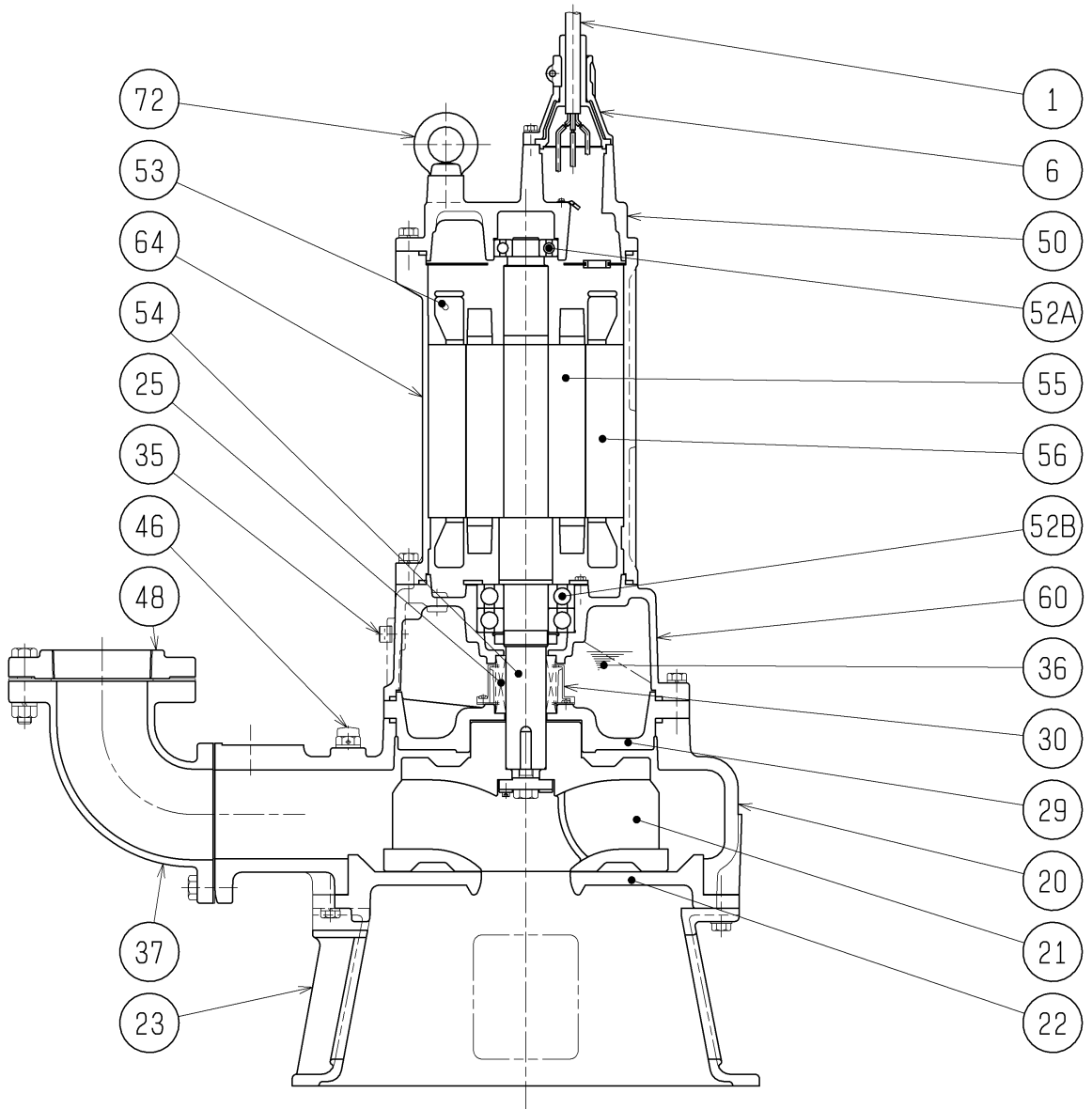


SECTIONAL DRAWING		No.	No. A-20435-1
TYPE	Sewage Submersible Channel Impeller Pump	MODEL	100BZ415 -52



สนใจชิ้นส่วนอะไหล่ สอบถามเพิ่มเติมได้ที่

Tel: 076-513100-3 หรือ LINE: @chainarissshop ได้เลยครับ



REQ. SPECIFICATION

No.	DESCRIPTION	QTY	MATERIAL / NOTE	No.	DESCRIPTION	QTY	MATERIAL / NOTE
1	Cabtyre Cable	3	Chloroprene Sheath	48	Screwed Flange	1	Gray Iron Casting
6	Stuffing Box	2	Gray Iron Casting	50	Motor Bracket	1	Gray Iron Casting
20	Pump Casing	1	Gray Iron Casting	52A	Upper Bearing	1	6306ZZC3
21	Impeller	1	Gray Iron Casting	52B	Lower Bearing	1	6310ZZD2C3
22	Suction Cover	1	Gray Iron Casting	53	Motor Protector	3	
23	Strainer Stand	1	Malleable Iron Casting	54	Shaft	1	Stainless Steel 420J2
25	Mechanical Seal	1	H-45	55	Rotor	1	
29	Oil Casing	1	Gray Iron Casting	56	Stator	1	
30	Oil Lifter	1	Plastic	60	Bearing Housing	1	Gray Iron Casting
35	Oil Plug	2	Stainless Steel 304	64	Motor Frame	1	Gray Iron Casting
36	Lubricant		Turbine Oil (ISO VG32)	72	Eye Bolt	2	Structure Steel
37	Discharge Bend	1	Gray Iron Casting				
46	Air Release Valve	1	Nylon				