



IM 3700

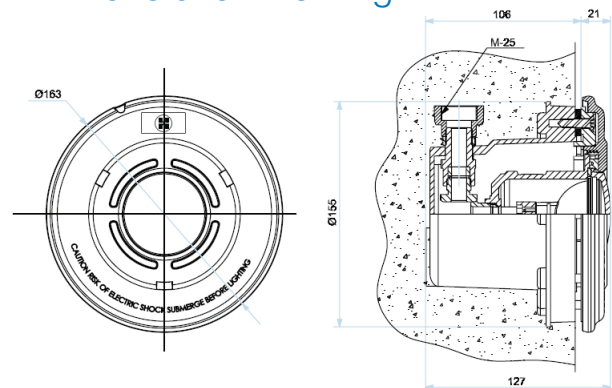
The IM 3700 is manufactured from ABS plastic and is equipped with an aluminum reflector and a borosilicate lens for high light quality. It has a standard MR16 type 50W Halogen lamp.



Technical Information

T (kelvin)	3000
Light Output	680 lm
Voltage/ Frequency	12V/ 50-60 Hz
Power	50W
Lamp Life	3000 h
Beam Angle	36°
Protection	IPX8 at 2m

Dimensional Drawing



Total System: Pumps | Filters | Heating | Cleaners | Sanitization | Automation | **Lighting** | Safety | White Goods

To take a closer look at Hayward Lighting or other Hayward products, go to hayward.com



International Marketing Group
2875 Pomona Blvd | Pomona, CA 91768 USA