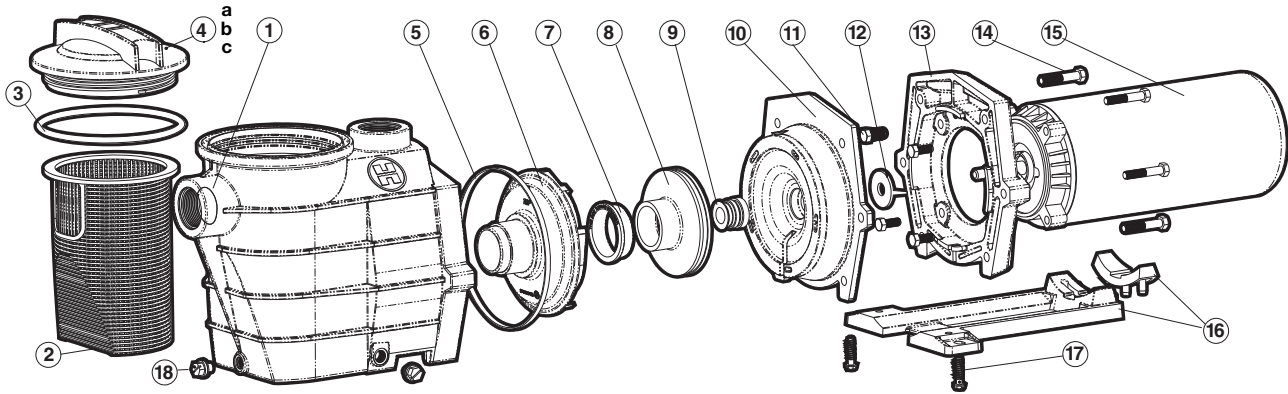




Super II™

SP3000 PUMP SERIES (ENERGY EFFICIENT, FULL-RATED) REPLACEMENT PARTS

Parts for Pump Models: SP3007(EEAZ) (EECA), SP3010(EEAZ), SP3015(EEAZ), SP3020(EEAZ), SP3025(EEAZ), SP3030(EEAZ)

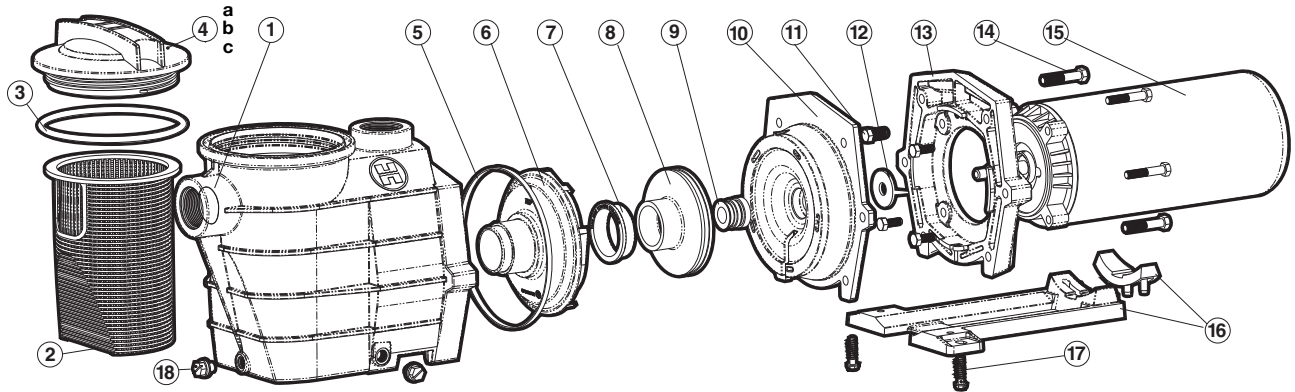


Ref. No.	Part No.	Description	Ctn. Qty.	No. Req'd
1	SPX3000AA	Pump Housing/Strainer, 1 1/2" x 1 1/2", with Drain Plugs	1	1
1	SPX3100AAZ	Pump Housing/Strainer, 1 1/2" x 1 1/2", with Drain Plugs, Threaded Style	1	1
1	SPX3020AA	Pump Housing/Strainer, 2" x 2", with Drain Plugs	1	1
1	SPX3120AAZ	Pump Housing/Strainer, 2" x 2", with Drain Plugs, Threaded Style	1	1
2	SPX3000M	Basket	15	1
3	SPX3000S	Strainer Cover O-Ring	10	1
4a	SPX3000D	Strainer Cover, Hand-Knob Style, Clear	10	1
4b	SPX3100D	Strainer Cover, Threaded Style	10	1
4c	SPX3100DB	Strainer Cover for Biguanide Sanitizers NOT Pressure Testable	10	1
—	SP3100T	Pump Lid Removal Tool	25	1
5	SPX3000T	Housing Gasket	10	1
—	SPX1600R	Diffuser Gasket - Not Shown	10	1
—	SPXHKIT2	H-KIT Quick Pump Repair for Super II (Includes items 3, 5, 9, SPX1600R and Jack's Lube)	10	1
6	SPX2600B	Diffuser, for 3/4 through 2 H.P. (1987 and Prior)	1	1
6	SPX3000BN	Diffuser, for 3/4 through 1 1/2 H.P. (after 1988)	1	1
6	SPX3000B	Diffuser, for 2 1/2 and 3 H.P. (1989 and Prior)	1	1
6	SPX3021B	Diffuser, for 2, 2 1/2 and 3 H.P. (after 1990)	1	1
7	SPX3005R	Impeller Ring – 3/4 through 1 1/2 H.P. (3000 Series Impellers only)	1	1
7	SPX3021R	Impeller Ring – 2 through 3 H.P. (3000 Series Impellers only)	1	1
9	SPX1600Z2	Seal Assembly	10	1
10	SPX3000E	Seal Plate, for SP2600 Series Impellers	1	1
10	SPX3020E	Seal Plate, for SP3000 Series Impellers	1	1
11	SPX0125Z44	Motor Cap Screw (Set of 4)	1	4
12	SPX0125F	Slinger	10	1
13	SPX3000F	Motor Mounting Plate	1	1
14	SPX1600Z4	Housing Cap Screw	10	6
—	SPX3000Z26	Washer, 3/8" – for cap screw (Set of 6) – Not Shown	1	6
16	SPX3000GA	Mounting Bracket with Adapter and 2 Cap Screws	1	1
17	SPX1600Z52	Mounting Foot Cap Screw (Set of 2)	1	2
—	SPX3000SR	Riser Base Aligns with Sta-Rite® Dura-Glas® Port	1	1
18	SPX1600V	1/4" Drain Plug (1991 and Prior)	25	2
18	SPX1700FG	1/4" Drain Plug with Gasket	10	2

Parts listed below must be ordered for specific model and H.P.:

	1987	1988			
8	SPX2607C	SPX3007C	Impeller, for 3/4 H.P.	10	1
8	SPX2610C	SPX3010C	Impeller, for 1 H.P.	10	1
8	SPX2615C	SPX3015C	Impeller, for 1 1/2 H.P.	1	1
	1989 and prior	1990 and later			
8	—	SPX3016C	Impeller, for 1 1/2 H.P.	1	1
8	SPX3020CKIT	SPX3021C	Impeller, for 2 H.P.	1	1
8	SPX3025CKIT	SPX3026C	Impeller, for 3 H.P.	1	1
15	SPX1607Z1BE		Motor, 3/4 H.P., Threaded Shaft (Single Phase, 60 Cycle 115/230V)	1	1
15	SPX1610Z1BEE		Motor, 1 H.P., Threaded Shaft (Single Phase, 60 Cycle 115/230V)	1	1
15	SPX1615Z1BEE		Motor, 1 1/2 H.P., Threaded Shaft (Single Phase, 60 Cycle 115/230V)	1	1
15	SPX1620Z1BEE		Motor, 2 H.P., Threaded Shaft (Single Phase, 60 Cycle 230V)	1	1
15	SPX1625Z1M		Motor, 3 H.P., Threaded Shaft (Single Phase, 60 Cycle 230V)	1	1
15	SPX0160Z1D		Motor, 3 H.P., Threaded Shaft (Three Phase, 60 Cycle 230/460V)	1	1

Parts for Pump Models: SP3005X7(AZ), SP3007X10(AZ)(2), SP3010X15(2)(AZ), SP3015X20(2)(AZ), SP3020X25(2)(AZ), SP3025X30(AZ)



Ref. No.	Part No.	Description	Ctn.	Qty.	No. Req'd
1	SPX3000AA	Pump Housing/Strainer, 1 1/2" x 1 1/2", with Drain Plugs	1		1
1	SPX3100AAZ	Pump Housing/Strainer, 1 1/2" x 1 1/2", with Drain Plugs, Threaded Style	1		1
1	SPX3020AA	Pump Housing/Strainer, 2" x 2", with Drain Plugs	1		1
1	SPX3120AAZ	Pump Housing/Strainer, 2" x 2", with Drain Plugs, Threaded Style	1		1
2	SPX3000M	Basket	15		1
3	SPX3000S	Strainer Cover O-Ring	10		1
4a	SPX3000D	Strainer Cover, Hand-Knob Style, Clear	10		1
4b	SPX3100D	Strainer Cover, Threaded Style	10		1
4c	SPX3100DB	Strainer Cover for Biguanide Sanitizers NOT Pressure Testable	10		1
—	SP3100T	Pump Lid Removal Tool	25		1
5	SPX3000T	Housing Gasket	10		1
—	SPX1600R	Diffuser Gasket – Not Shown	10		1
—	SPXHKIT2	H-KIT Quick Pump Repair for Super II (Includes items 3, 5, 9, SPX1600R and Jack's Lube)	10		1
6	SPX2600B	Diffuser, for 3/4 through 2 H.P. (1987 and Prior)	1		1
6	SPX3000BN	Diffuser, for 3/4 through 1 1/2 H.P. (after 1988)	1		1
6	SPX3000B	Diffuser, for 2 1/2 and 3 H.P. (1989 and Prior)	1		1
6	SPX3021B	Diffuser, for 2, 2 1/2 and 3 H.P. (after 1990)	1		1
7	SPX3005R	Impeller Ring – 3/4 through 2 H.P. (3000 Series Impellers only)	1		1
7	SPX3021R	Impeller Ring – 2 1/2 through 3 H.P. (3000 Series Impellers only)	1		1
9	SPX1600Z2	Seal Assembly	10		1
10	SPX3000E	Seal Plate, for SP2600 Series Impellers	1		1
10	SPX3020E	Seal Plate, for SP3000 Series Impellers	1		1
11	SPX0125Z44	Motor Cap Screw (Set of 4)	1		4
12	SPX0125F	Slinger	10		1
13	SPX3000F	Motor Mounting Plate	1		1
14	SPX1600Z4	Housing Cap Screw	10		6
—	SPX3000Z26	Washer, 3/8" – for cap screw (Set of 6) – Not Shown	1		6
16	SPX3000GA	Mounting Bracket with Adapter and 2 Cap Screws	1		1
17	SPX1600Z52	Mounting Foot Cap Screw (Set of 2)	1		2
—	SPX3000SR	Riser Base Aligns with Sta-Rite® Dura-Glas® Port	1		1
18	SPX1600V	1/4" Drain Plug (1991 and Prior)	25		2
18	SPX1700FG	1/4" Drain Plug with Gasket	10		2

Parts listed below must be ordered for specific model and H.P.:

	1987	1988			
8	SPX2605C	SPX3005C	Impeller, for 3/4 H.P.	10	1
8	SPX2607C	SPX3007C	Impeller, for 1 H.P.	10	1
8	SPX2610C	SPX3010C	Impeller, for 1 1/2 H.P.	10	1
8	SPX2615C	—	Impeller, for 2 H.P.	1	1
	1989	1990			
8	—	SPX3016C	Impeller, for 2 H.P.	1	1
8	SPX3020CKIT	SPX3021C	Impeller, for 2 1/2 H.P.	1	1
8	SPX3025CKIT	SPX3026C	Impeller, for 3 H.P.	1	1
15	SPX1605Z1M		Motor, 3/4 H.P., Threaded Shaft (Single Phase, 60 Cycle 115/230V)	1	1
15	SPX1607Z1M		Motor, 1 H.P., Threaded Shaft (Single Phase, 60 Cycle 115/230V)	1	1
15	SPX1607Z2M		Motor, 1 H.P., Threaded Shaft, 2-speed (Single Phase, 60 Cycle 230V)	1	1
15	SPX1610Z1M		Motor, 1 1/2 H.P., Threaded Shaft (Single Phase, 60 Cycle 115/230V)	1	1
15	SPX1615Z1M		Motor, 2 H.P., Threaded Shaft (Single Phase, 60 Cycle 115/230V)	1	1
15	SPX1620Z1M		Motor, 2 1/2 H.P., Threaded Shaft (Single Phase, 60 Cycle 230V)	1	1
15	SPX1625Z1M		Motor, 3 H.P., Threaded Shaft (Single Phase, 60 Cycle 230V)	1	1
15	SPX1610Z2M		Motor, 1 1/2 H.P., Threaded Shaft, 2-speed (Single Phase, 60 Cycle 230V)	1	1
15	SPX1615Z2M		Motor, 2 H.P., Threaded Shaft, 2-speed (Single Phase, 60 Cycle 230V)	1	1
15	SPX1620Z2M		Motor, 2 1/2 H.P., Threaded Shaft, 2-speed (Single Phase, 60 Cycle 230V)	1	1