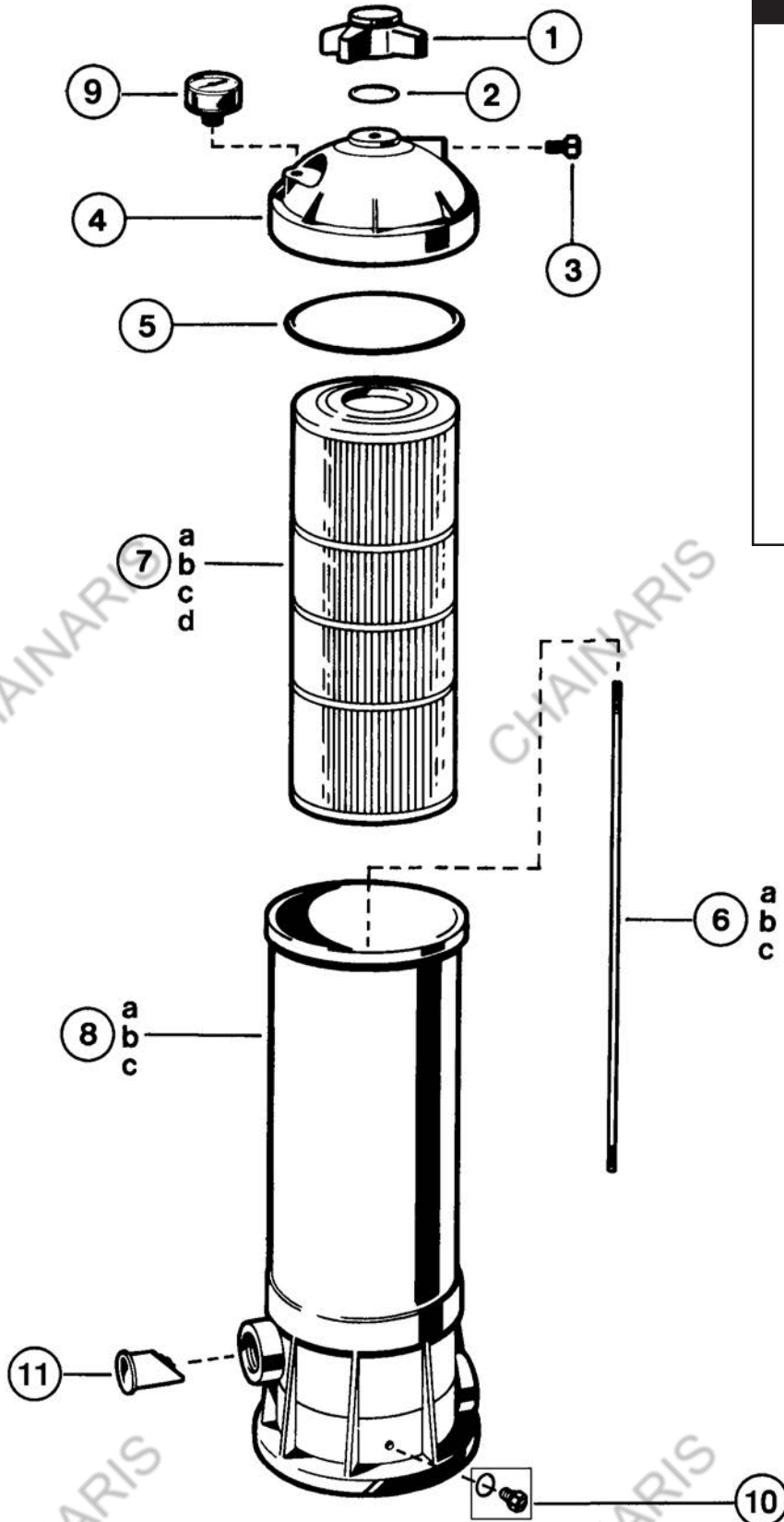


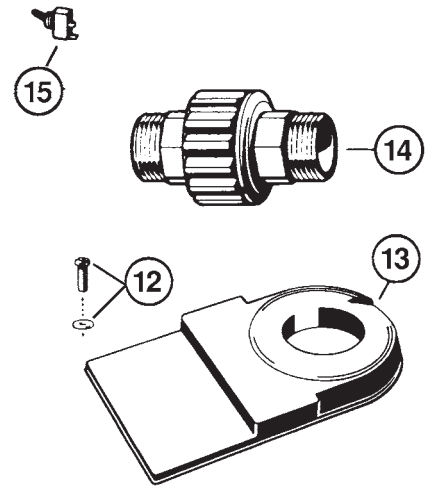
# StarClear™

CARTRIDGE FILTER SERIES REPLACEMENT PARTS

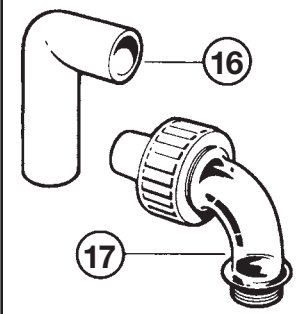
## Parts Diagram



### C SERIES SYSTEMS



### FLEX LOOP SYSTEM



### Parts Listing

Ref. No.	Part No.	Description	Ctn. Qty.
1	CX250G	Locking Knob	10
2	CX250Z7	O-Ring	20
3	ECX1322A	Directional Vent Valve with O-Ring	20
4	CX250C	Filter Head (Dome) with Air Relief Valve	4
5	CX250F	Filter Head Gasket	50
6a	CX250Z2S	Tie Rod (C250), 18 9/32"	1
6b	CX500Z2S	Tie Rod (C500), 28 3/32"	1
6c	CX750Z2S	Tie Rod (C750, C100), 38 1/16"	1
7a	CX250RE	Cartridge Element (C250)	1
7b	CX500RE	Cartridge Element (C500)	1
7c	CX750RE	Cartridge Element (C750)	1
7d	CX1000RE	Cartridge Element (C100)	1
8a	CX250AA1	Filter Body with Tie Rod Assembly (C250)	1
8b	CX500AA1	Filter Body with Tie Rod Assembly (C500)	1
8c	CX750AA1	Filter Body with Tie Rod Assembly (C750, C100)	1
9	ECX27091	Pressure Gauge, Back Mount	25
10	CX250Z14A	Drain Plug Kit	50
11	ECX4077B1	Check Valve (optional)	20

### C Series Systems

—	SPX1250WA	6 ft. Cord Set – No. 14/3 AWG	10
—	ECX1248	Cord Strain Relief	1
12	ECX1108A	Pump Mounting Screw with Washer	10
13	EC1161PAK	Platform Base with Screws – Low Profile	2
14	SP1480BLK	1 1/2" Male Union	50
15	ECX1325	Switch Assembly	10

### Modular Flex Loop Systems

16	ECX1326A	Flex Loop Elbow	20
17	SPX14853	Sweep Elbow Union Assembly	20