

8350 pH AND ORP SENSORS

Applications

- Power



Simple to Integrate. Simple to Operate

A part of the most complete water analytics system for the Power industry. Hach provides a broad range of product options designed to work together into flexible solutions to meet your unique needs. Hach's comprehensive approach saves you time on design, installation, training, maintenance and operation.

Save time on design

A single design source and one product platform means you spend less time searching for design files or configuring components. Create and reuse your optimal design templates.

Accelerate your installation

One source, interchangeable components, a common user interface, and one support team make installation faster and less complicated. Quickly and easily transfer user settings between pH/ ORP loops.

Reduce training complexity

A single platform minimizes time required to teach and learn product operations, getting new systems in use faster.

Simplify maintenance and operation

Common menu guides reduce variability and provide step-by-step procedures for maintenance and pH/ ORP calibration. This standard 3/4" pH/ORP sensor delivers fast and accurate measurement with two combination electrodes and a pt100 ohm RTD temperature element. The reference cell features a double-junction design for extended service life, and a built-in solution ground.

Contact us:

Chainaris Phuket Engineering Co., Ltd.

63/13 Moo.2, T.Vichit, A.Muang Phuket 83000

Tel: 076-513100-3

Fax: 076-513105

Line: @chainaris, @chainarissshop



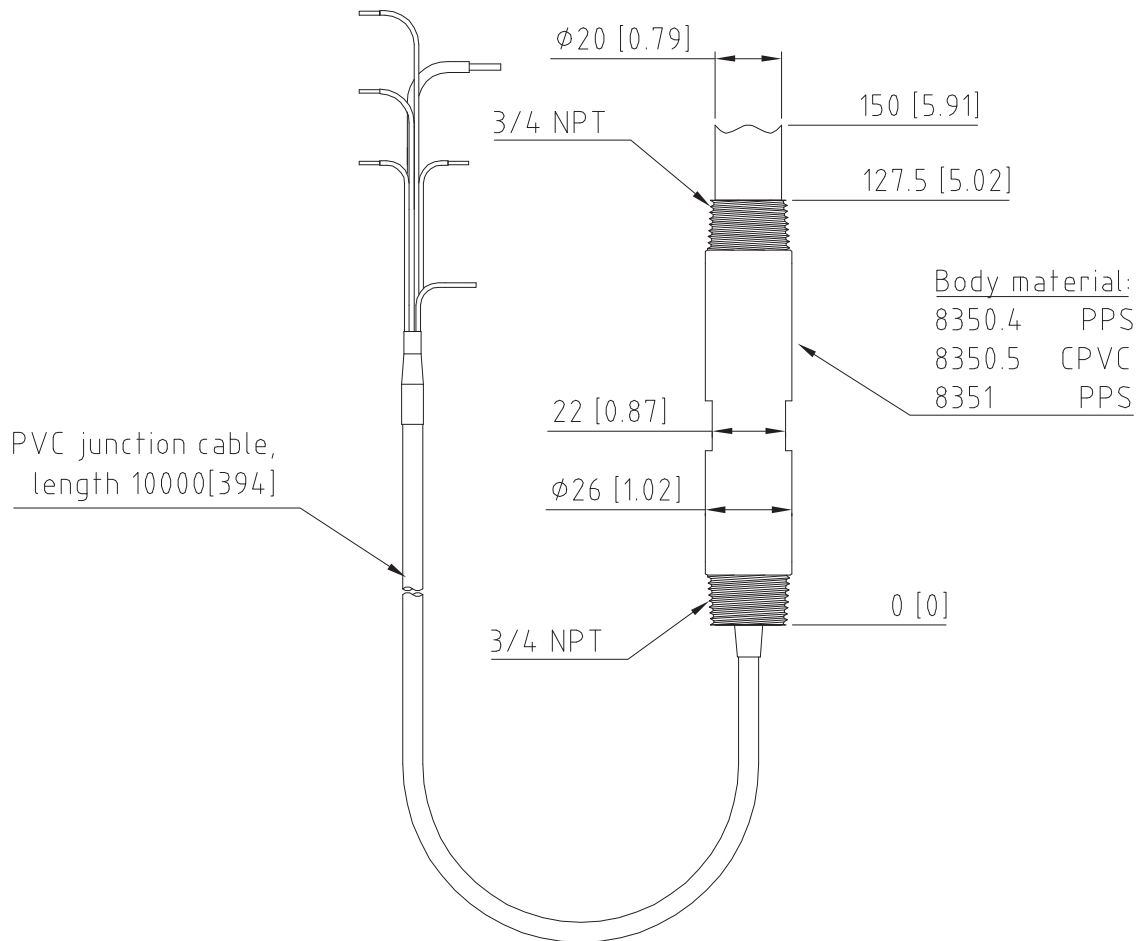
Be Right™

Specifications*

Prod. No.	08350=C=0004	08350=C=0005	08350=A=0003	08351=C=0000
	8350 pH Probe for High Temperatures	8350 pH Probe for Fouling Environments	8350 pH Probe for Samples with HF	8351 Redox Probe for High Temperatures
Range	0 to 14 pH, ± 0.05 pH	0 to 12 pH, ± 0.05 pH	0 to 12 pH, ± 0.05 pH	-1500 to 1500 mV
Operating Temperature Range	Temperature Maximum: 110 °C (230 °F)	Temperature Maximum: 80 °C (176 °F)	Temperature Maximum: 110 °C (230 °F)	Temperature Maximum: 110 °C (230 °F)
Pressure Limit	Maximum Pressure: 10 bar (145 psi) at 80 °C	Maximum Pressure: 10 bar (145 psi) at 80 °C	Maximum Pressure: 10 bar (145 psi) at 80 °C	Maximum Pressure: 10 bar (145 psi) at 80 °C
Material	Flat PTFE junction, Guarded glass, Stainless steel ring for impedance measurements, PPS body	Flat PTFE junction, Guarded glass, Stainless steel ring for impedance measurements, CPVC body	Flat PTFE junction, Guarded glass, PPS Body	Flat PTFE junction, Guarded glass, Stainless steel ring for impedance measurements, PPS body
Cable Connection	Cable Length: 10 m	Cable Length: 10 m	Cable Length: 10 m	Cable Length: 10 m

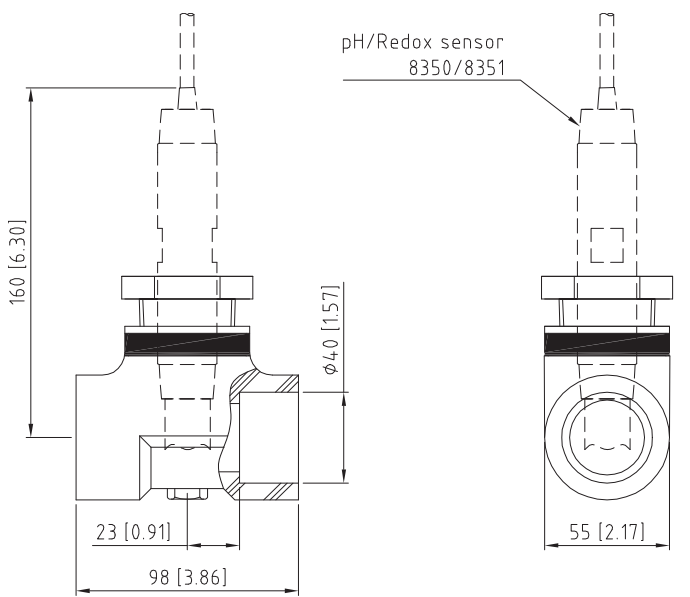
*Subject to change without notice.

Dimensions

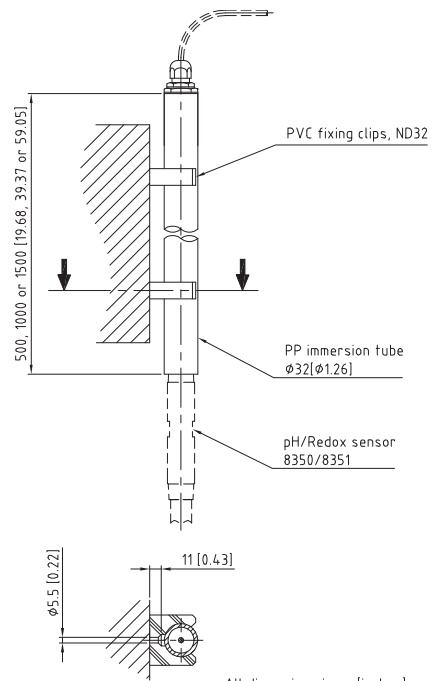


All dimensions in mm[inches].

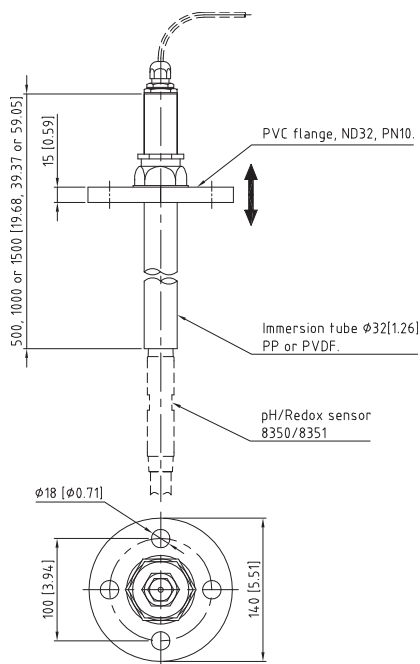
Installation / Mounting



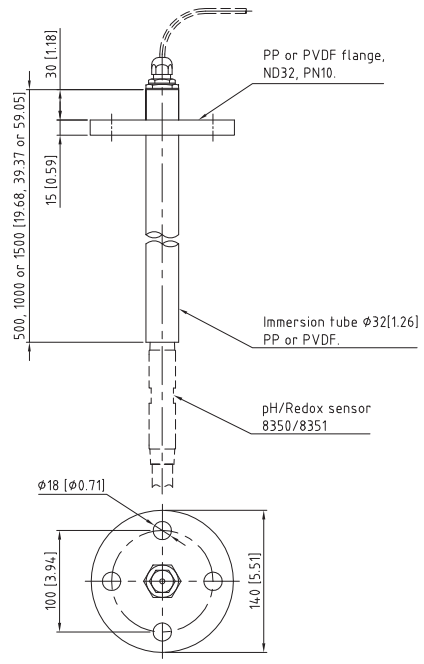
All dimensions in mm[inches].



All dimensions in mm[inches].



All dimensions in mm[inches].



All dimensions in mm[inches].

Ordering Information

pH/ORP Electrodes

- 08350=C=0004** 8350 pH Probe for High Temperatures
08350=C=0005 8350 pH Probe for Fouling Environments
08351=C=0000 8351 Redox Probe for High Temperatures
08350=A=0003 8350 pH Probe for Samples with HF

pH/ORP Mounting Hardware

- 08350=A=9500** PVC DN 40 flow chamber, flange-type probe fitting
08350=A=9510 PVC Tee, DN 40, 1 fitting
08350=A=6005 Polypropylene Immersion Shaft with Fixed Flange, 0.5 m Cable
08350=A=6015 Polypropylene Immersion Shaft with Fixed Flange, 1.5 m Cable
08350=A=1005 Polypropylene Immersion Shaft with Adjustable Flange, 0.5 m cable
08350=A=1010 Polypropylene Immersion Shaft with Adjustable Flange, 1 m cable
08350=A=1015 Polypropylene Immersion Shaft with Adjustable Flange, 1.5 m cable
08350=A=1105 Polypropylene Immersion Shaft with 2 Clips, 0.5 m cable
08350=A=1110 Polypropylene Immersion Shaft with 2 Clips, 1 m cable
08350=A=1115 Polypropylene Immersion Shaft with 2 Clips, 1.5 m cable

pH/ORP Accessories

- 08350=A=6010** Polypropylene Immersion Shaft with Fixed Flange, 1 m Cable
08350=A=7000 Chemical Cleaning Kit (Nozzle and Feed Pipes)
358048,00000 Coaxial Cable for 8350 pH Electrode (25 m)
08350=A=8000 Pre-Amplifier for 8350-Type Probes
08350=A=8500 Junction Box for 8350-Type Probes

HACH COMPANY World Headquarters: Loveland, Colorado USA

United States: 800-227-4224 tel 970-669-2932 fax orders@hach.com
Outside United States: 970-669-3050 tel 970-461-3939 fax int@hach.com
hach.com

LIT2822

G13 Printed in U.S.A.

©Hach Company, 2013. All rights reserved.

In the interest of improving and updating its equipment,

Hach Company reserves the right to alter specifications to equipment at any time.



Be Right™