

Volumetric Filter

ULTIMATE FILTER PERFORMANCE

For residential and semi-commercial pools



 **Emaux**
water technology

Pool & Spa Equipment

SIGNATURE COLLECTION

Product Features

Tank Material

HDPE

Max Operating Pressure

58 psi / 4 bar

Max Temperature

50°C (122°F)

Suggested Size of Media

0.5-0.8mm

Volumetric Filter

ENGINEERED FOR THE DIFFERENCES

The one-piece blow molded tank combines the technologies of structural engineering for high-density polyethylene material with manufacturing processes to maximize the strength of the filter. It is perfectly suited for all pools with different disinfection systems (Salt chlorinator, Ozone, UV, and chemical dosing).

The Volumetric Filter is designed for the best clarity of filtered water and has an outstanding pressure standard among the market benchmarks.

The filter incorporates a multiport valve manufactured from robust components to create the most efficient, reliable, and user-friendly filter positioning it in the market for the best return on investment.

Advantages

Better Water: 30% more volume of filtration bed compared to other filters in the market improves the filtration quality.

Less Backwash: The high volume of filtration bed allows the filter to trap more dirt and as a result, less frequency of backwash is required.

User-friendly: Easy to install, maintain and replace. Affordable spare parts available.

High compatibility: High compatibility: The filter and its components are compatible with all different kinds of pool applications.

Robust Performance: HDPE filter body provides the best protection under any extreme weather conditions.

Volumetric Filter is equipped with:

1. 6-way clamp style multiport valve (1.5"MPV07, 2"MPV08)
2. universal standard of union connection
3. pressure gauge
4. ABS lateral system



Model:
T450

Model:
T500

Professional approach for creating better water

1. 6-Way Multiport Valve

Unique design allows tool-free service and maintenance

4. Handy Clamp Lock

The hinged clamp allows 360° rotation of the valve to simplify installation and plumbing work

2. Filtration Bed

30% higher filtration bed promotes deeper water filtration for better water quality

5. Filter Tank

The innovative T-shaped filter tank is designed for better backwashing. The tank in HDPE material can withstand higher water pressure and temperature

3. Drain Cover

Robust and reliable to reduce operating and maintenance cost

6. Double-Layered Lateral System

Benefits from uniform filtered water collection and provides thorough backwashing of the filter media

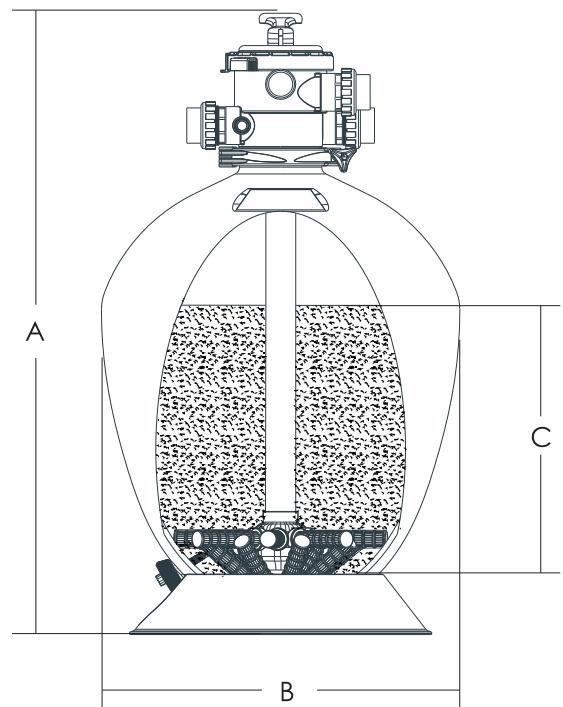


Product Dimension:

| Model | A mm | B mm | C mm |
|-------|------|------|------|
| T450 | 964 | 457 | 353 |
| T500 | 1040 | 508 | 400 |
| T600 | 1090 | 610 | 457 |
| T700 | 1180 | 711 | 516 |
| T600B | 1142 | 610 | 457 |
| T700B | 1232 | 711 | 516 |

Technical Information

| Code | Model | Filter Area (m ²) | Valve Connections | Max Flow Rate | Sand (kg) |
|----------|-------|-------------------------------|-------------------|-----------------------|-----------|
| 88016003 | T450 | 0.16 | 1.5" / 50mm | 8.0m ³ /h | 75 |
| 88016004 | T500 | 0.20 | 1.5" / 50mm | 10.0m ³ /h | 95 |
| 88016046 | T600 | 0.29 | 1.5" / 50mm | 14.6m ³ /h | 165 |
| 88016007 | T700 | 0.39 | 1.5" / 50mm | 19.5m ³ /h | 200 |
| 88016047 | T600B | 0.29 | 2.0" / 63mm | 14.6m ³ /h | 165 |
| 88016008 | T700B | 0.39 | 2.0" / 63mm | 19.5m ³ /h | 200 |



EMAUX WATER TECHNOLOGY CO., LTD

ADDRESS G/F 41 TIN HAU TEMPLE ROAD,
NORTH POINT, HONG KONG

PHONE +852 2832 9880

www.emauxgroup.com

 **STRIVE FOR CLEAR WATER**

Available from:



Chainaris Phuket Engineering Co., Ltd.

63/13 Moo.2, T.Vichit, A.Muang Phuket 83000

Tel: 076-513100-3 Fax: 076-513105

Line: @chainaris, @chainarissshop

ALL SPECIFICATIONS ARE SUBJECT TO CHANGE WITHOUT NOTICE.
© 2018 EMAUX WATER TECHNOLOGY CO., LTD. ALL RIGHTS RESERVED.

www.emauxgroup.com