

# Filter **SR SERIES**

RING-LOCK LID FOR EASY MAINTENANCE

For residential and semi-commercial pools



Bobbin-wound  
fiberglass  
reinforced tank

Max Operating Pressure

36psi (2.5bar)

Max Temperature

43°C (109°F)

Suggested Size of Media

sand 0.5-0.8mm

**Pool & Spa Equipment**

 **Emaux**  
water technology

[www.emauxgroup.com](http://www.emauxgroup.com)

# SR Series Ring Lock Filter

includes a bobbin-wound fiberglass reinforced tank. With a UV-resistant surface finish, it is able to operate under prolonged sunlight for years of reliability. The transparent lid is designed for easy inspection of the sand bed. Without using any tools, the lid can be removed by turning the specially designed ring-lock, making maintenance much easier.



Special ring lock design - simple and easy operation



Model: S700R

Model: S500R

SR Series Filter is equipped with :

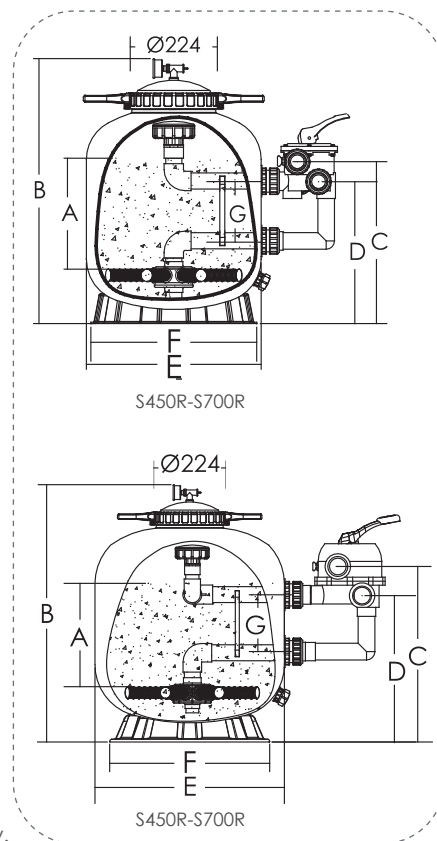
1. 6-way multiport valve (1.5"MPV03, 2"MPV04)
2. universal standard of union connection
3. piping kit
4. pressure gauge
5. lateral system

## Technical Information:

Code	Model	Filter Area (m <sup>2</sup> )	Valve Connections	Max Flow Rate	Sand (kg)
88011103	S450R	0.16	1.5" / 50mm	135lpm 8.10m3/h	45
88011104	S500R	0.22	1.5" / 50mm	185lpm 11.10m3/h	85
88011105	S650R	0.32	1.5" / 50mm	260lpm 15.60m3/h	145
88011107	S700R	0.40	1.5" / 50mm	325lpm 19.50m3/h	210
88011108	S700R(B)	0.41	2.0" / 63mm	336lpm 20.16m3/h	215
88011109	S800R	0.53	2.0" / 63mm	435lpm 24.10m3/h	355
88011110	S900R	0.66	2.0" / 63mm	550lpm 33.00m3/h	470

## Product Dimension:

Model No	A mm	B mm	C mm	D mm	E mm	F mm	G mm
S450R	250	760	498	435	455	390	180
S500R	290	825	513	450	535	500	180
S650R	310	890	568	505	635	500	180
S700R	320	920	573	510	723	500	180
S700R(B)	350	920	611	525	723	500	220
S800R	380	1020	696	610	820	780	220
S900R	410	1130	741	655	920	780	220



Suggested sand weight varies with the differences in filter media size. For reference only.

## EMAUX WATER TECHNOLOGY CO., LTD

ADDRESS G/F 41 TIN HAU TEMPLE ROAD,  
NORTH POINT, HONG KONG  
PHONE +852 2832 9880  
www.emauxgroup.com

Pool & Spa Equipment

STRIVE FOR CLEAR WATER

Available from:

Chainaris Phuket Engineering Co., Ltd.  
63/13 Moo.2, T.Vichit, A.Muang Phuket 83000  
Tel: 076-513100-3 Fax: 076-513105  
Line: @chainaris, @chainarishop



ALL SPECIFICATIONS ARE SUBJECT TO CHANGE WITHOUT NOTICE  
© 2018 EMAUX WATER TECHNOLOGY CO., LTD. ALL RIGHTS RESERVED.