

# Aurora Light

THE WIDEST ANGLE OF ILLUMINATION

For residential and commercial pool & spa



 **Emaux**  
water technology

IP68 CE  RoHS  
COMPLIANT  
2011/65/EU

Pool & Spa Equipment

**SIGNATURE COLLECTION**

# Product Information

Waterproof Standard

IP68

Cable

2.5m

Material

Durable ABS structure

PC transparent lid

Installation

Wall mounted (flat type)



## INNOVATIVE DESIGN AND ADVANCED LIGHT ENGINEERING

### Unique 360 Degree LED Ring and High Power Bulbs

Highly efficient illumination is produced by the combination of high power bulbs and a 360 degree LED ring.



360 LED ring



High Power Bulbs



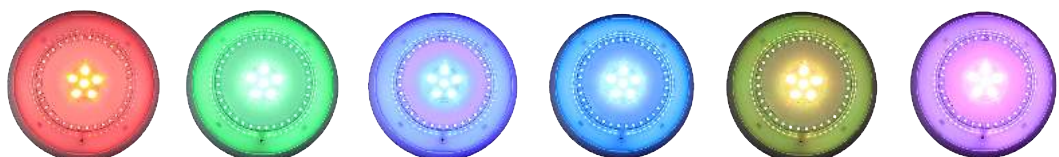
Light Guide Plate

### Light Guide Plate (LGP) Technology

With the light guide plate, Aurora light features an ultra-thin, low power consumption, even brightness, visual comfort and attractive appearance.

### Various Color Options & Pre-programmed Light effects

The RGB version offers color changing options with 14 modes with brilliant dynamic light that can be changed by remote control box (optional) .



## Product Features

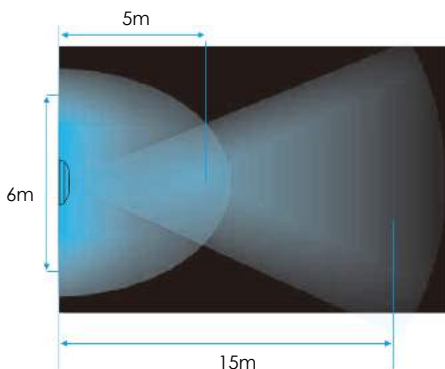
**100% WATER PROOFING** With our latest resin filled LED panel technology, the unit is totally waterproof.

**HIGH COMPATIBILITY** Aurora is designed for all concrete, tiled, vinyl liner, and fiberglass pools.

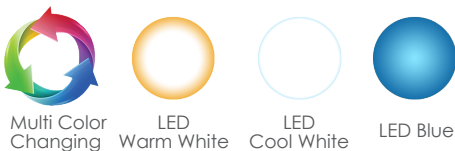
**GREAT DURABILITY** Made of durable ABS with high quality polycarbonate transparent lens. A special heat sink design ensures long LED life.

**CONVENIENCE** Easy installation and maintenance. Latest wiring method allows convenient, reliable wiring for replacement.

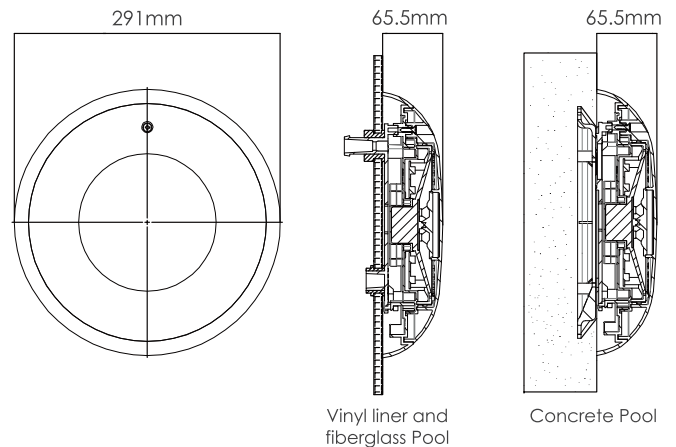
**THE WIDEST ANGLE OF ILLUMINATION** The combination of high power LED bulbs and unique 360 degree LED ring achieves the widest angle of illumination on the market.



## Product Information



Code	Model	Watt/ Voltage	Color
88049246	ARR30CW	30W/12V	Cool White (10000k)
88049247	ARR30C	30W/12V	RGB
88049248	ARR30B	30W/12V	Blue
88049249	ARR30W	30W/12V	Warm White (4000k)



**EMAUX WATER TECHNOLOGY CO., LTD**

ADDRESS G/F 41 TIN HAU TEMPLE ROAD,  
NORTH POINT, HONG KONG

PHONE +852 2832 9880

[www.emauxgroup.com](http://www.emauxgroup.com)

 **STRIVE FOR CLEAR WATER**

**Available from:**

Chainaris Phuket Engineering Co., Ltd.

63/13 Moo.2,T.Vichit, A.Muang Phuket 83000

Tel: 076-513100-3      Fax: 076-513105

Line: @chainaris, @chainarisshop



ALL SPECIFICATIONS ARE SUBJECT TO CHANGE WITHOUT NOTICE.  
© 2018 EMAUX WATER TECHNOLOGY CO., LTD. ALL RIGHTS RESERVED.

[www.emauxgroup.com](http://www.emauxgroup.com)