

Air Blowers

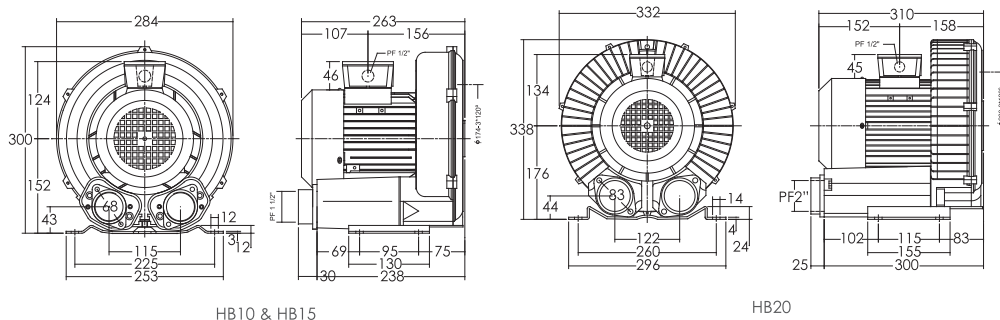
CREATE BUBBLE STREAM TO YOUR POOL

For both commercial and portable spa



HB SERIES COMMERCIAL AIR BLOWER

1. Continuous duty rating with quality motors
2. Blowers are CE certified and can be customized for any application
3. High-temperature designs for up to 50°C
4. Assorted coatings and platings for corrosive environments
5. Available for 50Hz and 60Hz



HB10 & HB15

HB20

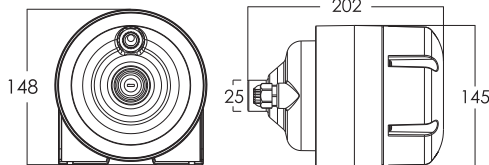


Code 220V/50Hz	Model	Rated Output (kW)	Voltage (V)	Current (A)	Voltage (V)	Current (A)	Max Volume (m ³ /min)	Noise (dB)	Weight (kg)	Static pressure Compressor (mbar)	Vacuum (mbar)	Relief Value (Pressure) (Type)	Suction Filter
88080304	HB10	0.75	110-120	11	220-240	5.5	2.4	63	16.5	140/160		01*1 /01*1	MF12
88080305	HB15	1.1	110-120	14	220-240	7.0	2.4	63	16.5	160/190		01*1 /01*1	MF12
88080306	HB20	1.5	110-120	14	220-240	10	3.6	70	26	180/190		01*1 /01*1	MF16

AB SERIES ECONOMY AIR BLOWER

AB Series Air Blower can be used for bath tubs or spa tubs

Code 220V/50-60Hz	Code 110V/50-60Hz	Model	Watt
88080201	88080101	AB350	350W
88080202	88080102	AB450	450W
88080203	88080103	AB550	550W



Available from:

Chainaris Phuket Engineering Co., Ltd.
63/13 Moo.2, T.Vichit A.Muang Phuket 83000

Tel: 076-513100-4

Fax: 076-513105

Line: @chainaris, @chainarishop



EMAUX WATER TECHNOLOGY CO., LTD

Flat A-D, 20/F., Kai Bo 22, 22 Wing Kin Road, Kwai Chung, HK
PHONE +852 2832 9880 www.emaugroup.com

Pool & Spa Equipment

ALL SPECIFICATIONS ARE SUBJECT TO CHANGE WITHOUT NOTICE
© 2021 EMAUX WATER TECHNOLOGY CO., LTD. ALL RIGHTS RESERVED.

YOUR PREMIER SUPPLIER