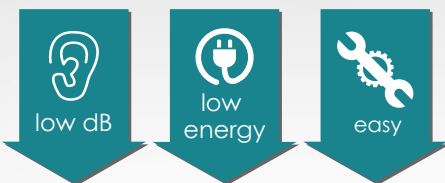


Pump **SS SERIES**

BEST OPTION FOR SMALLER PLUMBING

For small sized residential and above-ground pools

Optional built-in timer



1. 1.5 inch suction and discharge ports
2. Asynchronous, two-pole motor
3. Class insulation: 130(B)
4. IPX5 Waterproof standard
5. Built-in thermal protection
6. Overload protection
7. External heat sink
8. Available in 50Hz or 60Hz for 220V/110V9.
9. Specially designed unions compatible for both Imperial and Metric standards
10. 316 stainless steel shaft
11. 316 stainless steel mechanical seal

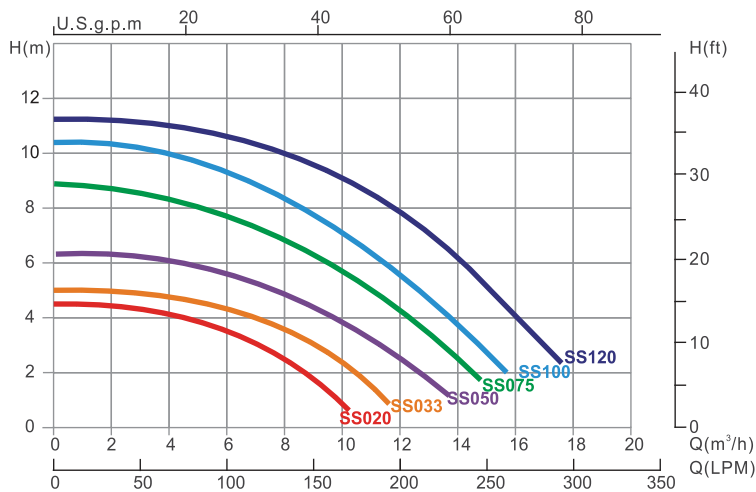
 **Emaux**
water technology

Pool & Spa Equipment



www.emauxgroup.com

Technical Information:



Built-in timer option:

The SS Series pump offers an optional built-in timer that allows the user to quickly set up the pump's running schedule on a user-friendly control pad.

Additional features for timer option:

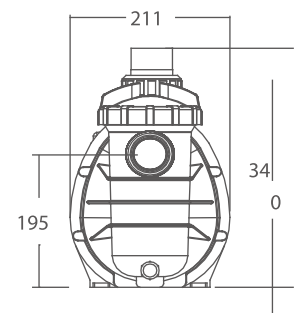
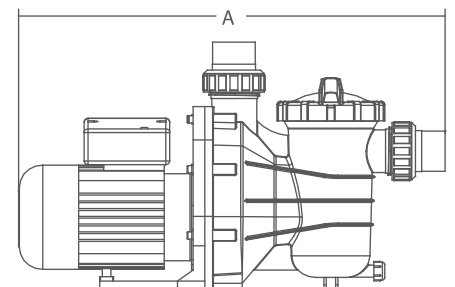
- No need to install an external timer for the pump.
- Set up the ideal switch-on time and the run-time ranging from 2 hours a day to 24 hours.
- Battery backup memory up to 72 hours.



Product Information and Dimensions:

Model 50Hz	Input(kW)	Current(AMP)	Noise(dB)	Head (m)			
				2	4	6	8
SS020 / SS020T	0.28	1.5	55	8.4	4	--	--
SS033 / SS033T	0.43	2	55	10.4	7	--	--
SS050 / SS050T	0.55	2.5	60	12.4	10	4	--
SS075 / SS075T	0.75	3.5	60	14.4	12.2	9.4	5
SS100 / SS100T	0.90	4.7	65	15.2	13.8	11.4	8.4
SS120 / SS120T	0.97	5.8	65	18	16	14	12

Code 220V/50Hz	Code 110V/60Hz	Model	Connection Size	Horsepower	Weight (kg)	Capacitance 220V	Capacitance 110V	A mm
88022401	88022601	SS020	1.5" / 50mm	0.2hp	6.20	5μF	20μF	507
88022402	88022602	SS033	1.5" / 50mm	0.33hp	6.50	6μF	24μF	507
88022403	88022603	SS050	1.5" / 50mm	0.5hp	8.03	8μF	30μF	552
88022404	88022604	SS075	1.5" / 50mm	0.75hp	9.01	14μF	40μF	552
88022405	88022605	SS100	1.5" / 50mm	1.0hp	9.09	20μF	60μF	552
88022406	88022606	SS120	1.5" / 50mm	1.2hp	11.00	20μF	60μF	552
9020329	/	SS020T	1.5" / 50mm	0.2hp	6.20	5μF	/	507
9020330	/	SS033T	1.5" / 50mm	0.33hp	6.50	6μF	/	507
9020331	/	SS050T	1.5" / 50mm	0.5hp	8.03	8μF	/	552
9020332	/	SS075T	1.5" / 50mm	0.75hp	9.01	14μF	/	552
9020333	/	SS100T	1.5" / 50mm	1.0hp	9.09	20μF	/	552
9020334	/	SS120T	1.5" / 50mm	1.2hp	11.00	20μF	/	552



EMAUX WATER TECHNOLOGY CO., LTD

ADDRESS: Flat A-D, 20/F., Kai Bo 22, 22 Wing Kin Road, Kwai Chung, Hong Kong
 PHONE +852 2832 9880
 www.emaugroup.com

Pool & Spa Equipment

YOUR PREMIER SUPPLIER

Available from:

Chainaris Phuket Engineering Co., Ltd.
 63/13 Moo.2, T.Vichit, A.Muang Phuket 83000
 Tel: 076-513100-4 Fax: 076-513105
 Line: @chainaris, @chainarissshop

