

Galaxy Multi-Element Cartridge Filter

DELIVER SUPERIOR ULTRA CLEAR WATER

For residential & commercial pool and spa



 **Emaux**
water technology

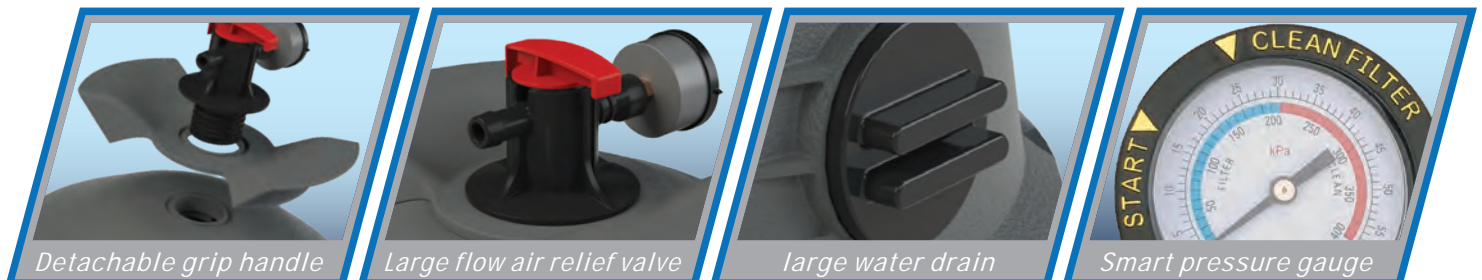
Pool & Spa Equipment

NEW

Product Features

Deliver superior ultra clear water

The Galaxy Multi-Element Cartridge Filter is designed to be the best in its class. Adopting the latest technology and constructed with non-corroding and durable materials, the Emaux Galaxy Cartridge Filter has a bigger filter area than most models on the market. The high capacity tank partnered with the advanced multi-element raises hydraulic dirt-catching performance to new levels. Due to being eco and user friendly, it's the ideal choice for residential and commercial pools.



User friendly

- Indicative pressure gauge tells you when to service
- Optional removable, easy-grip handle
- Knee-height tank base facilitates easy cartridge replacement

Trouble-free maintenance

Multi-element provides an enormous surface area to block more dirt thus require less cleaning. Also, no backwashing is needed like sand filters. It can save a large amount of water every year.

Eco-Friendly

- 3-session clamp kit allows removing and installing the top tank quickly
- Large water drain makes fast, easy winterisation and simple cleaning and rinsing with a garden hose.



Product Information:

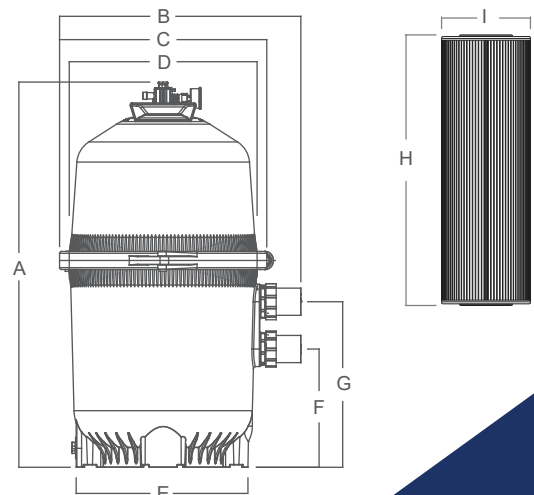
Code	Model	Filter Area	In / Outlet Connections	Max Flow Rate	A mm	B mm	C mm	D mm	E mm	F mm	G mm
9140404	ICF230	230 sqft 21.37m ²	2"/2.5"	327 lpm 19.6m ³ /h	829	648	556	504	462	317.5	444.5
9140405	ICF330	330 sqft 30.73m ²	2"/2.5"	468 lpm 28.1m ³ /h	886	648	556	504	462	317.5	444.5
9140406	ICF430	430 sqft 39.97m ²	2"/2.5"	575 lpm 34.5m ³ /h	1035	648	556	504	462	317.5	444.5
9140407	ICF530	530 sqft 49.19m ²	2"/2.5"	575 lpm 34.5m ³ /h	1223	648	556	504	462	317.5	444.5
9140408	ICF680	680 sqft 63.13m ²	2"/2.5"	575 lpm 34.5m ³ /h	1362	648	556	504	462	317.5	444.5

Cartridge Filter Element:

Code	Model	No. of Element	H mm	I mm	Micron μm	Fold Number
914100007	ICF230-CE	4	441	Ø178	15	156
914100008	ICF330-CE	4	498	Ø178	15	198
914100009	ICF430-CE	4	647	Ø178	15	197
914100010	ICF530-CE	4	835	Ø178	15	187
914100011	ICF680-CE	8	485	Ø178	15	209

Galaxy Series Filter is equipped with :

1. universal standard of union connection
2. pressure gauge
3. cartridge filter element



EMAUX WATER TECHNOLOGY CO., LTD

ADDRESS: Flat A-D, 20/F., Kai Bo 22, 22 Wing Kin Road,
Kwai Chung, HK

PHONE +852 2832 9880

www.emauxgroup.com

 **YOUR PREMIER SUPPLIER**

Available from:



Chainaris Phuket Engineering Co., Ltd.

63/13 Moo.2, T.Vichit, A,Muang Phuket 83000

Tel: 076-513100-4

Fax: 076-513105

Line: @chainaris, @chainarisshop

ALL SPECIFICATIONS ARE SUBJECT TO CHANGE WITHOUT NOTICE.
© 2021 EMAUX WATER TECHNOLOGY CO., LTD. ALL RIGHTS RESERVED.

www.emauxgroup.com