

Proximity Limit Switch

Model S9/SS9

This Limit Switch Assembly is an accessory which, enables remote signaling upon the opening or closing of BERMAD Deluge and Water Control Valves. It can be equipped with one or two switches, that are actuated by the opening or closing of the valve.

The proximity sensor within the switch is hermetically sealed and responds by its proximity to a ferromagnetic target attached to the valve's indicator stem.

This limit switch assembly is suitable for harsh environments, it is constructed entirely of 316 stainless steel, and is equipped with a rigid proximity magnetic switch sensor. The switch is suitable for hazardous locations, ATEX certified for Category II 2G EEx d IIC T6 and UL-Listed for Class I, Division 1, Groups A, B, C, D and Class II, Division 1, Groups E, F, G to NEC 500, NEMA 4,4X, 7, 9.

The switch is equipped with Tungsten contacts and is electrically rated for 2 Amps at 24VDC.



Proximity Limit Switch Assembly
(Double Switch - SS9)
(for illustration only)

Two versions are available

- Single limit switch assembly:
Equipped with one SPDT, signaling closed or open valve position
- Double limit switch assembly:
Equipped with two SPDT, signaling closed and fully open valve positions

Technical Data

- All Stainless steel 316, corrosion-resistant
- Magnetic proximity switch sensor
- ATEX, UL and Inmetro certified for Zone 1
- Hermetically Sealed dry contact - Improves Safety
- SPDT (single pole double throw), 1NO, 1NC
- Tungsten contacts
- Galvanized isolated
- IP 67 rated
- 3 Amps/120VAC, 1.5 Amps/240VAC, 2 Amps/24VDC rated
- Sensor rated temperature: -30 to +90°C

Features

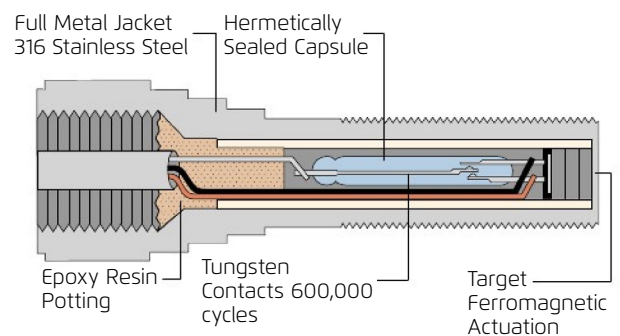
- Rigid construction
- Vibration resistant technology
- Switching element with snap-action contact

Materials of Construction

- Valve plug, cover plug, Bracket nut, cam: Stainless steel 316
- Wetted parts: Stainless steel 316
- Sensor: Stainless steel 316

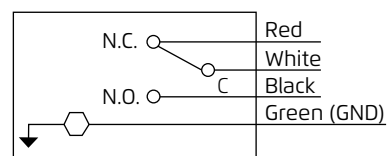
Optional Materials

- Ni.Al.Bronze and Monel wetted parts
- Hastelloy C276 wetted parts



Proximity Limit Switch Sensor

Wiring Diagram



Contact us:
Chainaris Phuket Engineering Co., Ltd.
 63/13 Moo.2, T.Vichit, A.Muang Phuket 83000
 Tel: 076-513100-3 Fax: 076-513105
 Line: @chainaris, @chainarishop

