

### Large Control Filter

The Large Control Filter is used for filtration of dirty control fluid that might quickly block a smaller filter element. The Large Control Filter increases the reliability of the control valve system and time between maintenance, while minimizing faulty operation.

#### Technical Data

**Filter Element:** Disc Type, 60 mesh; 250 µm

**Filter types:**

- Large Control Filter (F)
- Extra Large Control Filter (F1)

**Pressure Rating:**

- 25 bar; 350 psi (Standard)
- 40 bar; 600 psi (HP Model)

**Max Temperature:** 80°C; 180°F

**Ports:**

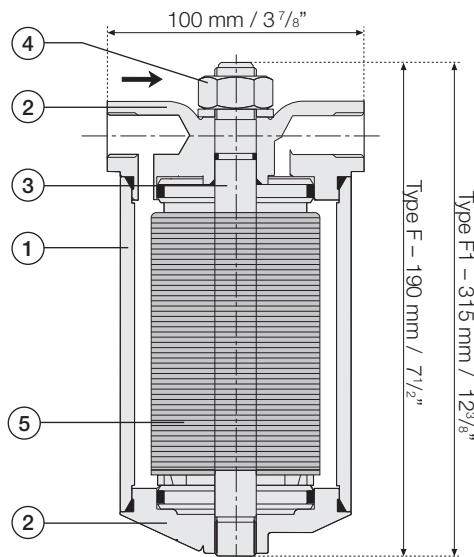
- 3/8" NPT female
- 1/2" NPT female



#### Materials:

		Standard	St. St.	Ni-Al-Bronze	Super Duplex	Hastalloy
1	Body	Carbon Steel, Epoxy Coated	St. St. 316	Ni-Al-Bronze	Super Duplex	Hastalloy
2	Covers	Brass	St. St. 316	Ni-Al-Bronze	Super Duplex	Hastalloy
3	Stem <sup>(1)</sup>	St. St. 304	St. St. 316	Ni-Al-Bronze	Super Duplex	Hastalloy
4	Nut	St. St. 304	St. St. 316	St. St. 316	St. St. 316	St. St. 316
5	Filter Element	Construction: Polypropylene, Grooved discs: Polyethylene				
	Seals <sup>(2)</sup>	NBR				

(1) For HP models stem might differ  
 (2) Optional Seals: EPDM and Viton



**Weight:**  
 Type F - 2.7 kg; 6 lbs  
 Type F1 - 5.3 kg; 11.7 lbs



Contact us:

Chainaris Phuket Engineering Co., Ltd.  
 63/13 Moo.2, T.Vichit, A.Maung Phuket 83000  
 Tel: 076-513100-3 Fax: 076-513105  
 Line: @chainaris, @chainarishop

