

## Manual Emergency Release

### Model D

The Model D Manual Emergency Release is a normally closed release device, used for manually opening a deluge valve.

It is connected to BERMAD Classic deluge, Pre-action or Dry pipe Valve's standard control trims and can also be mounted on the wet or dry pilot line, as a remote manual operated station.

The Manual Emergency Release stainless steel 316 assembly version (Model DN) is suited for corrosion resistant requirements.

UL Listed for Special Fire Protection Systems<sup>(1)</sup>.



(for illustration only)

### Available Models

- Model D: Standard
- Model DN: All Stainless Steel 316
- Model DM: Monel valve Wetted parts

### Materials of Construction

#### Model D - Standard

- Release Valve: Nickel Plated Brass
- Seals: PTFE
- Mounting Box: Polyester coated Stainless Steel 304
- Fittings: Stainless Steel 316
- Fastenings: Stainless Steel 316
- Label: Molded PVC

#### Model DN - All SS316

- Release Valve: Stainless Steel 316
- Seals: PTFE
- Mounting Box: Polyester coated Stainless Steel 316
- Fittings: Stainless Steel 316
- Fastenings: Stainless Steel 316
- Label: Molded PVC

#### Model DM - Monel

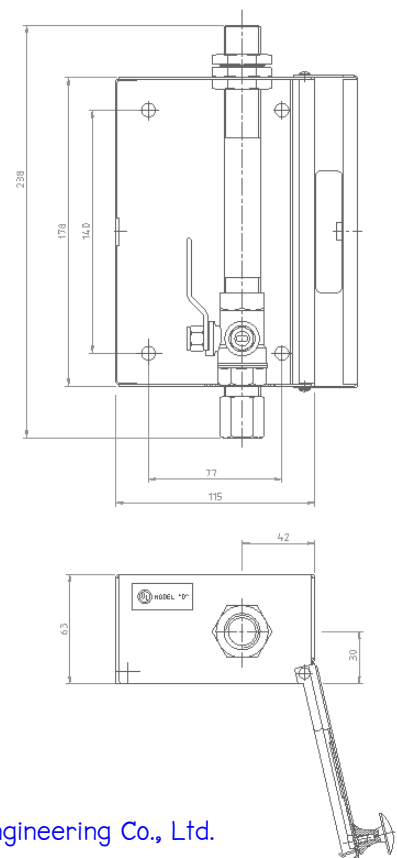
- Release Valve: Monel 400
- Seals: PTFE
- Mounting Box: Polyester coated Stainless Steel 316
- Fittings: Stainless Steel 316
- Fastenings: Stainless Steel 316
- Label: Molded PVC

### Pressure Rating

- Water: 25 bar (365 psi)

### End Connections

- ½" NPT
- Male inlet, female outlet



Contact us:

Chainaris Phuket Engineering Co., Ltd.

63/13 Moo.2, T.Vichit, A.Maung Phuket 83000

Tel: 076-513100-3 Fax: 076-513105

Line: @chainaris, @chainarishop



#### Notes:

<sup>(1)</sup> Approved when installed on BERMAD Deluge valves or used for remote release for BERMAD deluge valve

<sup>(2)</sup> For more details about the release valve, see BERMAD publication "2-Way Ball Valve"