



## 2-Way Modulating Horizontal Float

### Model #60

This 2-way, modulating horizontal float, is actuated by a float either pulling the float pilot arm down, when level drops, or floating it up when level rises. The float pilot throttles closed as level rises towards set-point, eventually closing drip-tight.



### Technical Data

**Pressure rating:** 16 bar (230 psi)

**Working temperature:** Water up to 55°C (125°F)

**Flow factor:** Kv 1.4 (Cv 1.6)

**Ports:** 1/2"

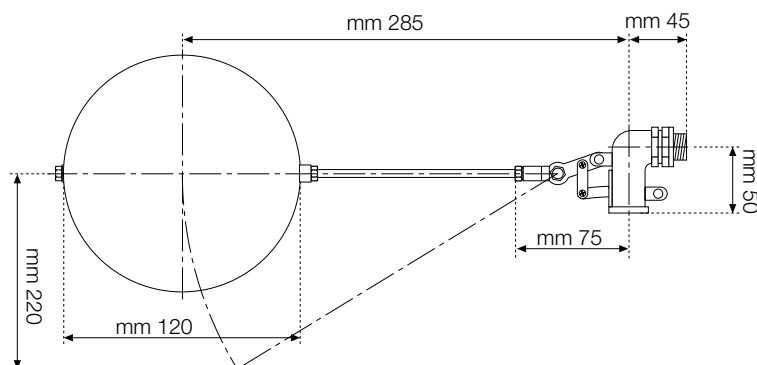
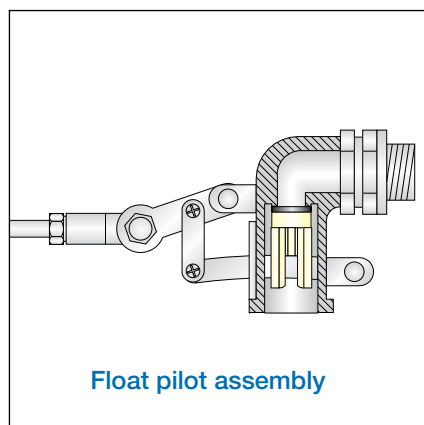
**Standard materials:**

**Pilot body:** Stainless steel

**Float:** Stainless steel

**Float rod:** Stainless steel

**Notes:** Float hydraulic connections: shall be 1/2" pipe or larger



Contact us:

Chainaris Phuket Engineering Co., Ltd.

63/13 Moo.2, T.Vichit, A.Muang Phuket 83000

Tel: 076-513100-3 Fax: 076-513105

Line: @chainaris, @chainarishop



[bermadfire@bermad.com](mailto:bermadfire@bermad.com) • [www.bermad.com](http://www.bermad.com)

The information herein is subject to change without notice. BERMAD shall not be held liable for any errors. All rights reserved. © Copyright by BERMAD. PGGPE71 11 New Makat

