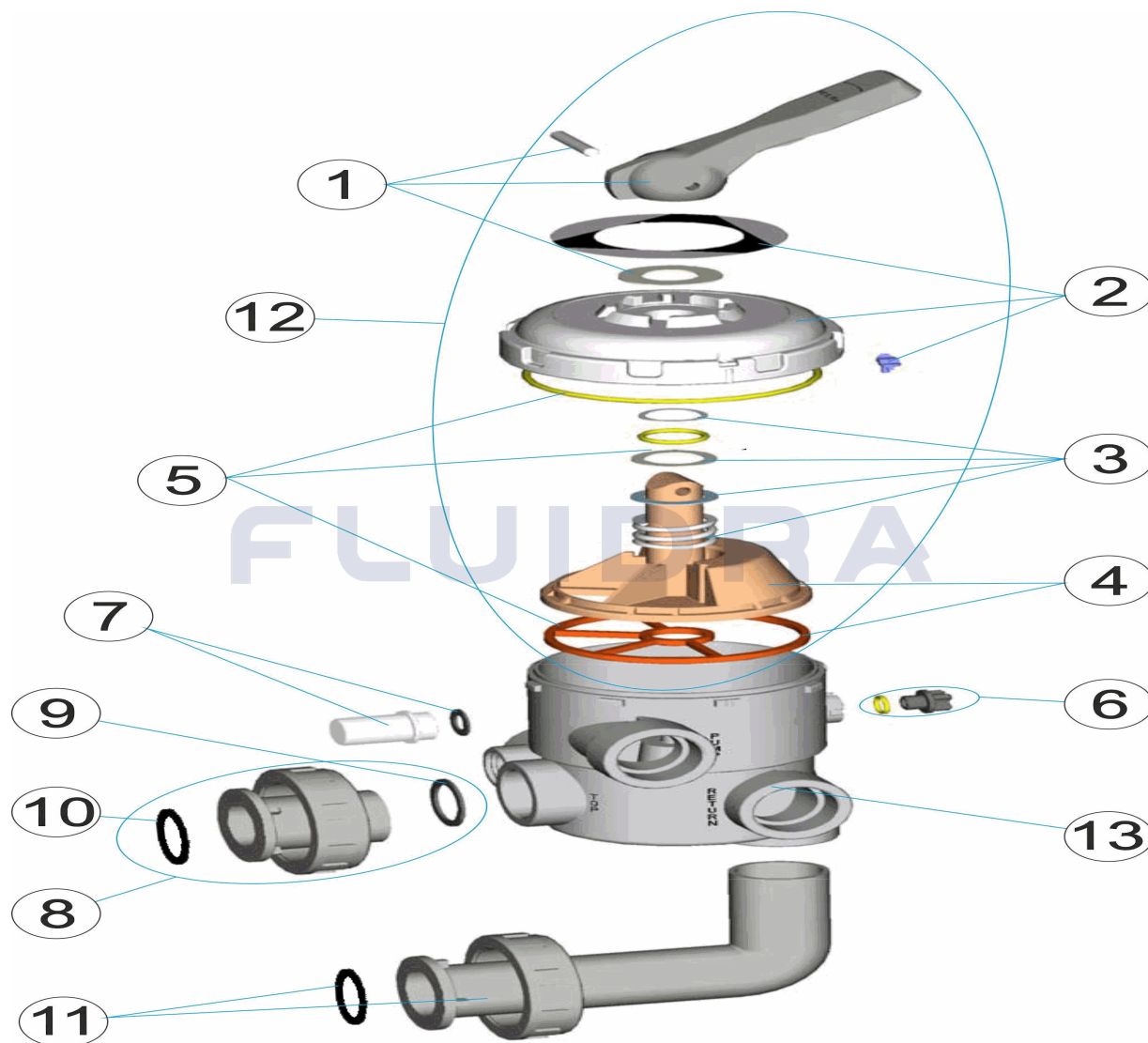


CODIGO 22355

DESCRIPCION: VALVULA SELECTORA CON ENLACES 1 1/2"

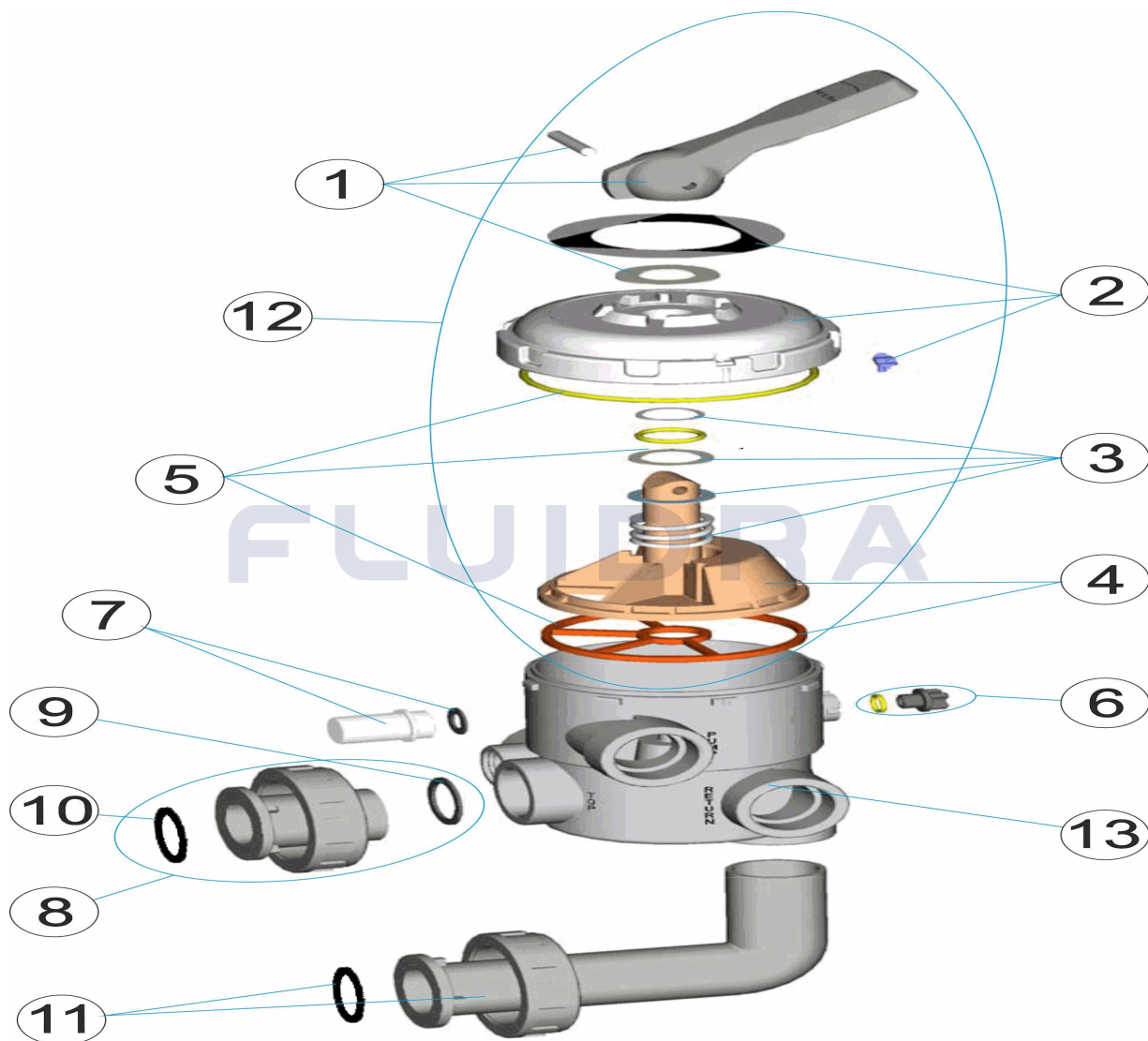


ESPAÑOL

POS	CODIGO	DESCRIPCION	CANTIDAD	POS	CODIGO	DESCRIPCION	CANTIDAD
1	4404120102	MANETA NEGRA 1 1/2'-2'		8	4404120202	ENLACE RECTO NEGRO 1 1/2' NUEVO	
2	4404120037	TAPA CON CARATULA 1 1/2' BAYONETA		9	4404120000	JUNTA PLANA 1 1/2"	
3	4404121103	RESORTE VALVULA		10	4404301901	JUNTA TORICA RACCOR SALIDA EPDM 65	
4	4404121104	DISTRIBUIDOR CON JUNTA		11	4404120204	ENLACE ACODADO NEGRO 1 1/2' NUEVO	
5	4404121105	JUNTAS VALVULA 1 1/2'		12	4404120038	TAPA DISTRIBUIDOR 1 1/2' BAYONET "	
6	4404121107	TAPON 1/4' VALVULA		13	22355R0101	CVS. 11/2" POSICION 3/N./BAYO NP "	
7	4404120108	VISOR CON JUNTA					

CODE 22355

DESCRIPTION: SÉLECTEUR AVEC LIENS 1 1/2"

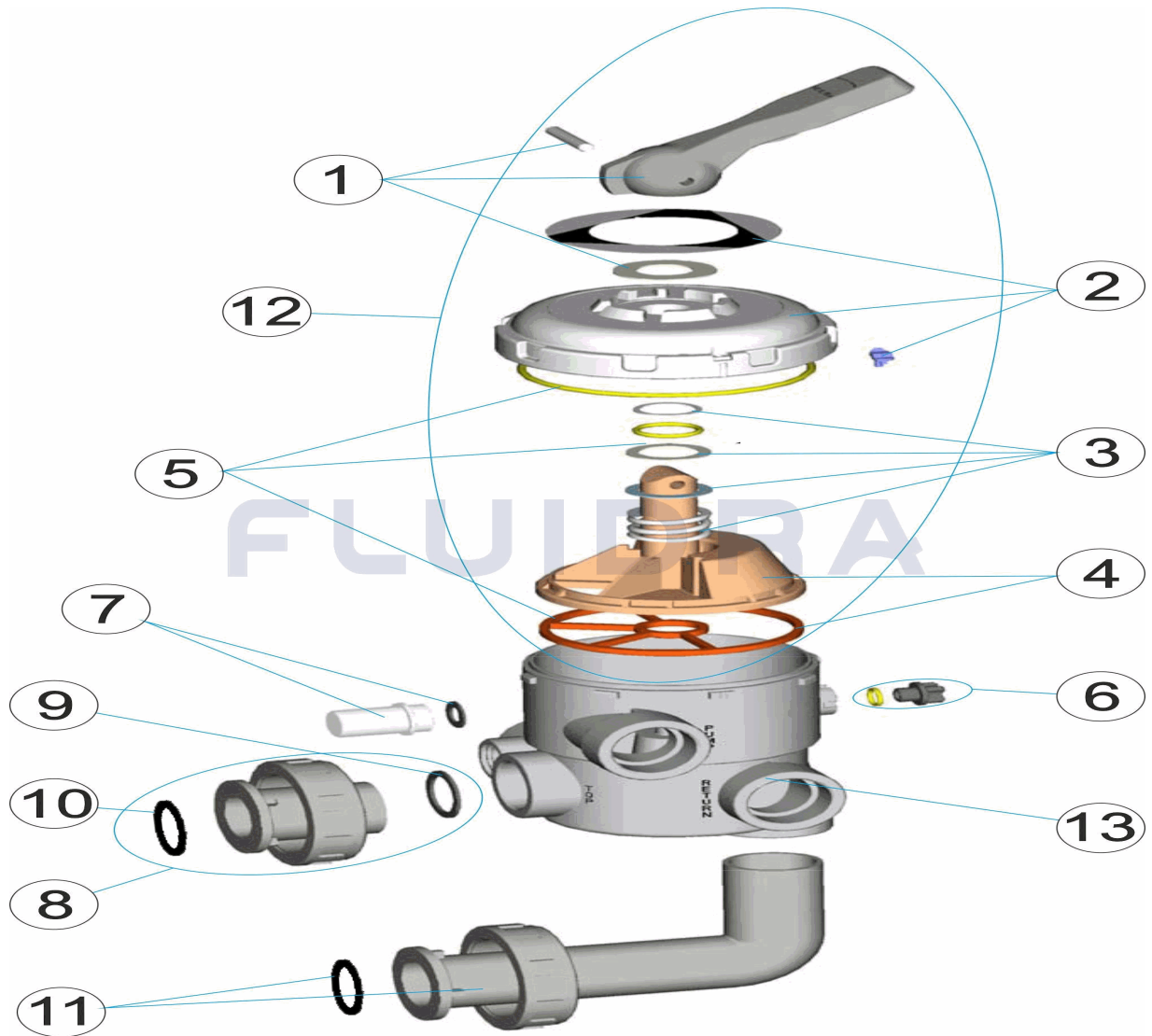


FRANCAIS

POS	CODE	DESCRIPTION	QUANTITE	POS	CODE	DESCRIPTION	QUANTITE
1	4404120102	POIGNEE NOIRE 1 1/2' ET 2'		8	4404120202	SORTIE DROITE NOIRE 1 1/2' NOUVEAU MC	
2	4404120037	COUVERCLE AVEC INSCRIPTIONS 1 1/2' B,		9	4404120000	JOINT PLAT	
3	4404121103	RESSORT DE VANNE		10	4404301901	JOINT TORIQUE RACCORD SORTIE D.56,3)	
4	4404121104	BOISSEAU AVEC JOINT		11	4404120204	SORTIE COUDEE NOIRE 1 1/2'	
5	4404121105	JOINTS VANNE 1 1/2'		12	4404120038	COUVERCLE ET BOISSEAU 1 1/2' BAYONE'	
6	4404121107	BOUCHON 1/4' DE VANNE		13	22355R0101	CORPS LATERAL ABS NPT	
7	4404120108	VOYANT ET JOINT					

CODE **22355**

DESCRIPTION: **SELECTOR VALVE WITH LINKS 1 1/2"**

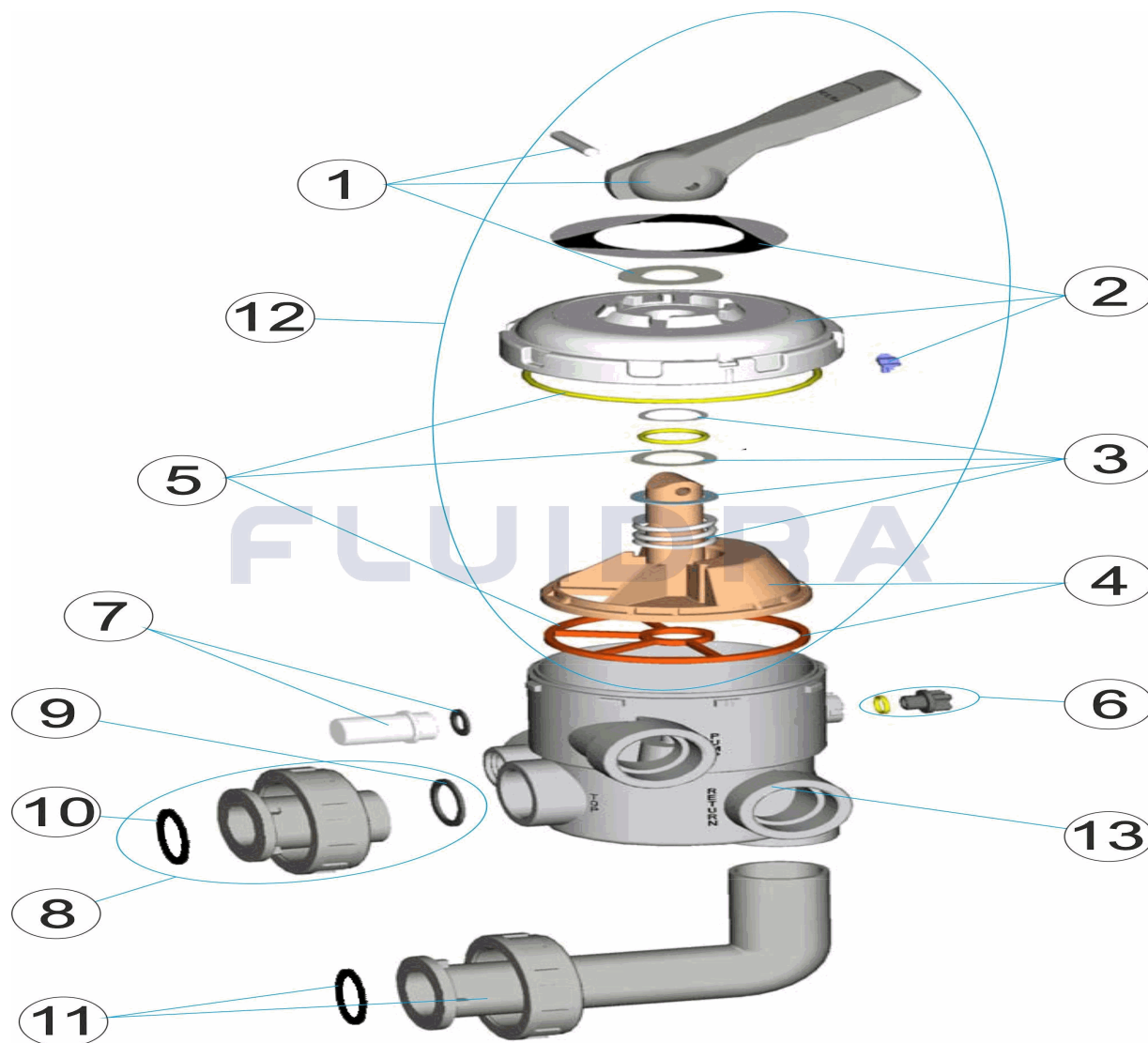


ENGLISH

POS	CODE	DESCRIPTION	QUANTITY	POS	CODE	DESCRIPTION	QUANTITY
1	4404120102	BLACK HANDLE 11/2'-2'		8	4404120202	UNION BLACK 1 1/2' NEW	
2	4404120037	BLACK TOP 1 1/2' BAYONETA		9	4404120000	FLAT GASKET	
3	4404121103	SPRING		10	4404301901	O RING D.56,3X5.3 EPDM65	
4	4404121104	DISTRIBUTOR WITH GASKETS		11	4404120204	ELBOW BLACK 1 1/2' NEW	
5	4404121105	GASKETS 1 1/2'		12	4404120038	TOP ASSEMBLY 1 1/2' BAYONETA	
6	4404121107	PLUG 1/4'		13	22355R0101	VALVE VODY 1 1/2" NP "	
7	4404120108	VISOR WITH SEAL					

CODICE **22355**

DESCRIZIONE: **VALVOLA SELETRICE CON COLLEGAMENTI 1 1/2"**

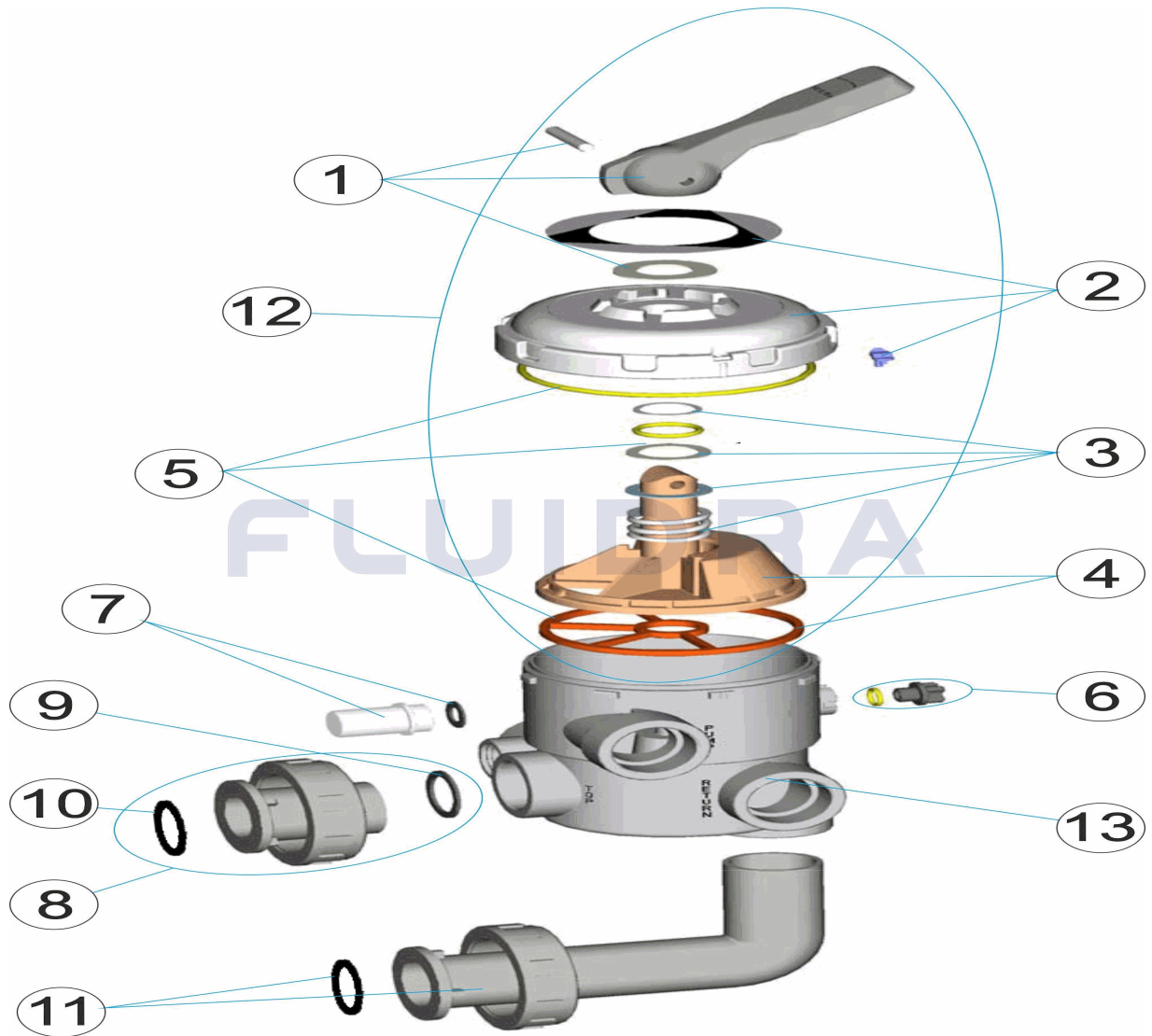


ITALIANO

POS	CODICE	DESCRIZIONE	QUANTITA'	POS	CODICE	DESCRIZIONE	QUANTITA'
1	4404120102	MANIGLIA NERA 1 1/2' - 2'		8	4404120202	RACCORDO DIRITTO NERO 1 1/2 NUOVO	
2	4404120037	COPERCHIO CON MASCHERA 1 1/2" BAYO		9	4404120000	GUARNIZIONE PIANA	
3	4404121103	MOLLA VALVOLA		10	4404301901	O-RING RACCORDO USCITA D.56,3X5.3 EPI	
4	4404121104	DISTRIBUTORE CON GUARNIZIONE		11	4404120204	RACCORDO A GOMITO NERO 1 1/2 NUOVO	
5	4404121105	GUARNIZIONI VALVOLA 1 1/2'		12	4404120038	COPERCHIO DI DISTRIBUZIONE 1 1/2" BAYC	
6	4404121107	COPERCHIO 1/4' VALVOLA		13	22355R0101	CORPO VALVOLA 1 1/2" NP "	
7	4404120108	VISORE CON GUARNIZIONE					

CODE **22355**

BESCHREIBUNG: **MEHRWEGVENTIL MIT ANSCHLÜSSEN 1 1/2"**

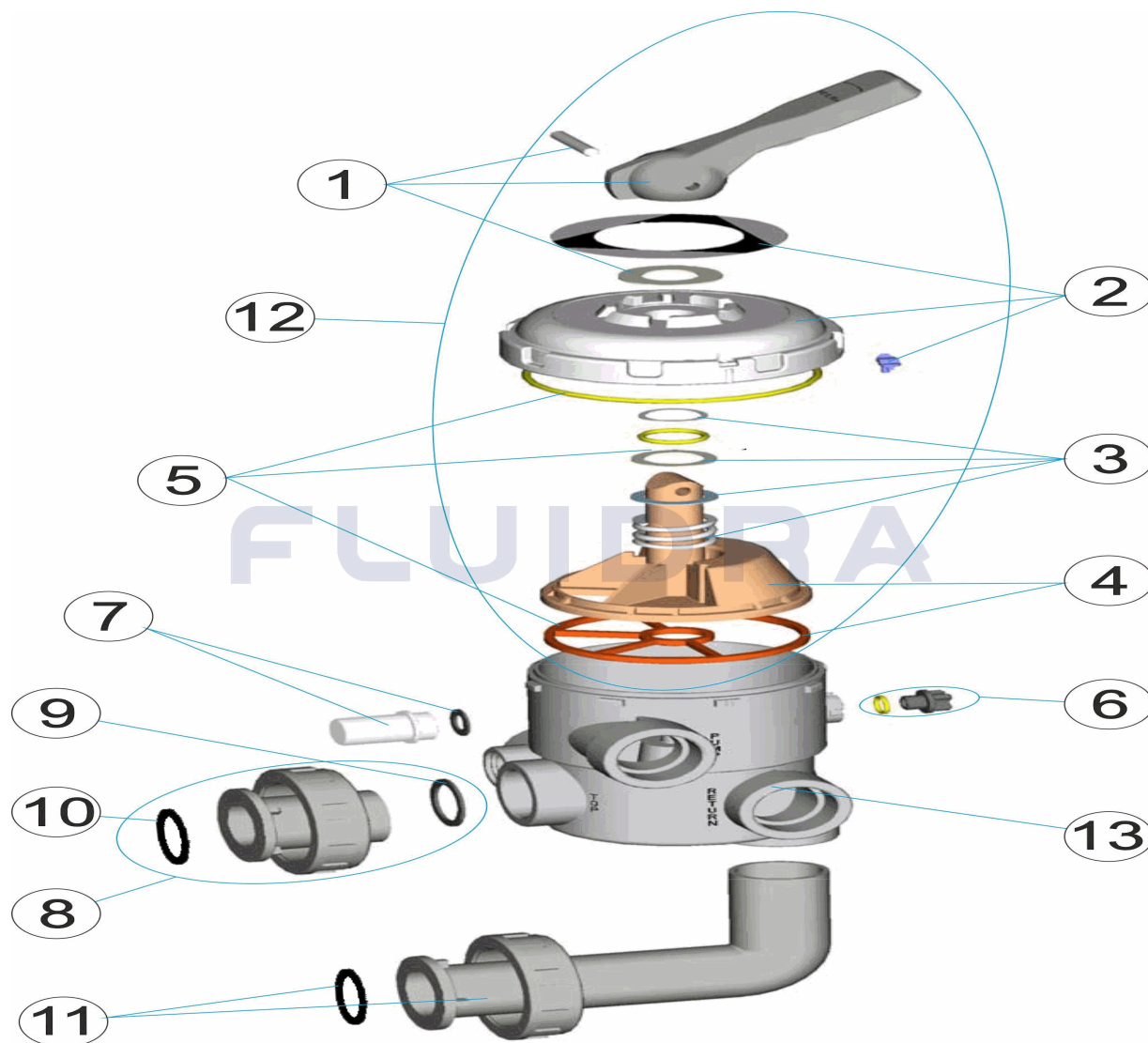


DEUTSCH

POS	CODE	BESCHREIBUNG	MENGE	POS	CODE	BESCHREIBUNG	MENGE
1	4404120102	GRIFF SCHWARZ 1 1/2' - 2'		8	4404120202	ANSCHLUSS GERADE SCHWARZ 1 1/2' NEU	
2	4404120037	ABDECKUNG MIT BEDIENFELD 1 1/2' BAJC		9	4404120000	FLACHDICHTUNG 1 1/2"	
3	4404121103	VENTILFEDER		10	4404301901	O-RING GEWINDESTÜCK AUSGANG EPDM	
4	4404121104	VERTEILER UND DICHTUNG		11	4404120204	ANSCHLUSSWINKEL SCHWARZ 1 1/2' NEU	
5	4404121105	VENTILDICHTUNGEN 1 1/2'		12	4404120038	VERTEILERDECKEL 1 1/2' BAJONETT "	
6	4404121107	STOPFEN 1/4' VENTIL		13	22355R0101	CVS. 11/2" POSITION 3/N./BAJONETT NP "	
7	4404120108	SCHAUGLAS UND DICHTUNG					

CODIGO **22355**

DESCRIÇÃO: **VÁLVULA SELECTORA COM LIGAÇÕES 1 1/2"**



PORTUGUES

POS	CODIGO	DESCRIÇÃO	JANTIDADE	POS	CODIGO	DESCRIÇÃO	JANTIDADE
1	4404120102	MANIPULO PRETO 1 1/2'-2'		8	4404120202	LIGAÇÃO RECTA PRETA 1 1/2' NOVA	
2	4404120037	TAMPA COM ESPELHO FRONTAL PRETA 1		9	4404120000	JUNTA PLANA	
3	4404121103	TAMPA PARAFUSOS		10	4404301901	JUNTA TÓRICA D.56.3X5.3 EPDM 65	
4	4404121104	DISTRIBUIDORCOM JUNTA		11	4404120204	LIGAÇÃO CURVA PRETA 1 1/2' NOVA	
5	4404121105	JUNTAS VÁLVULA 1 1/2'		12	4404120038	TAMPA DISTRIBUIDORA 1 1/2' BAYONETA	
6	4404121107	TAMPÃO 1/4' VÁLVULA		13	22355R0101	CORPO VALVULA 1 1/2" NPT	
7	4404120108	VISOR COM JUNTA					