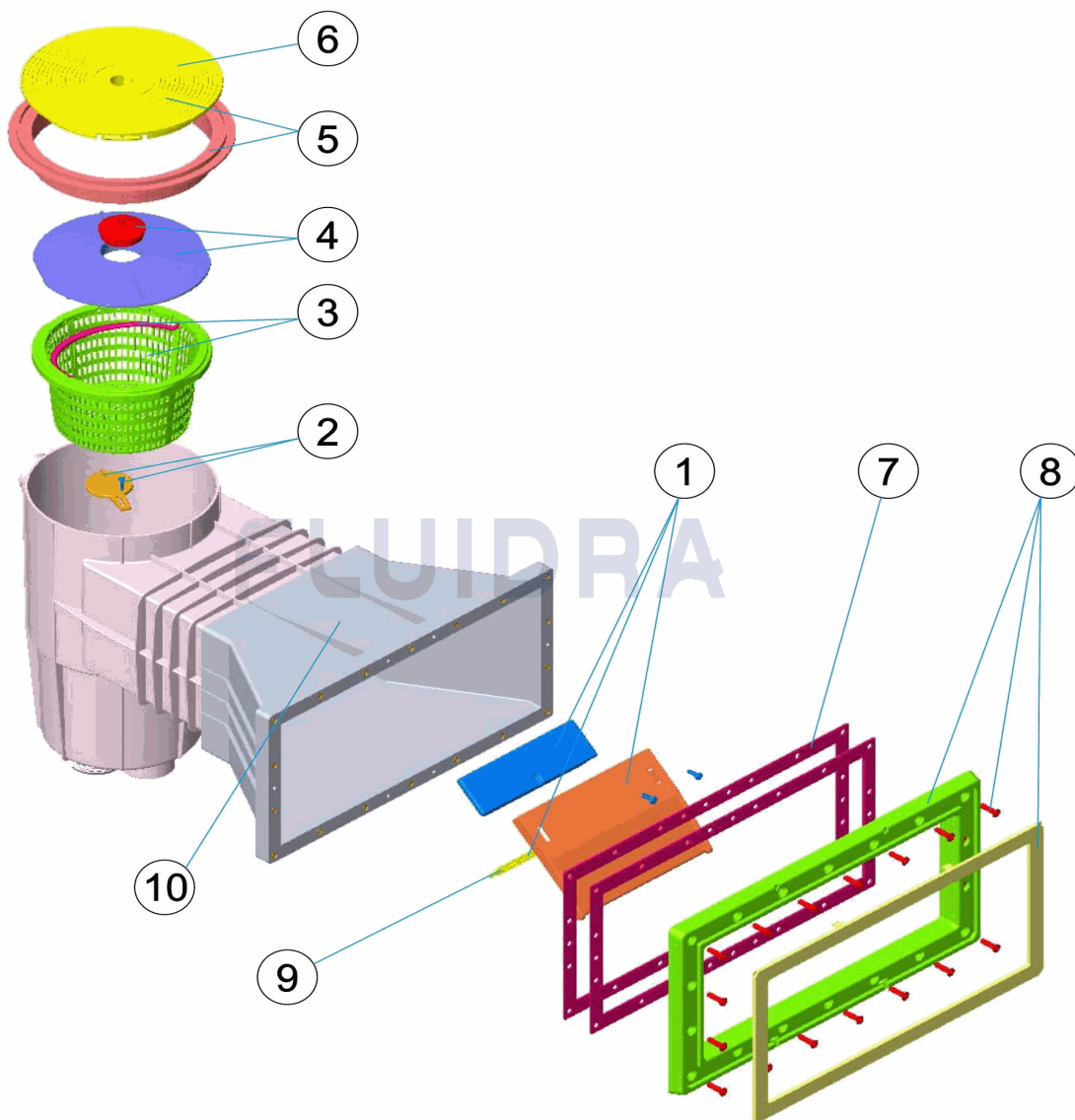


CODIGO **01463**

DESCRIPCION: **SKIMMER 15L PP. B.AMPLIACION T.CIRC.**

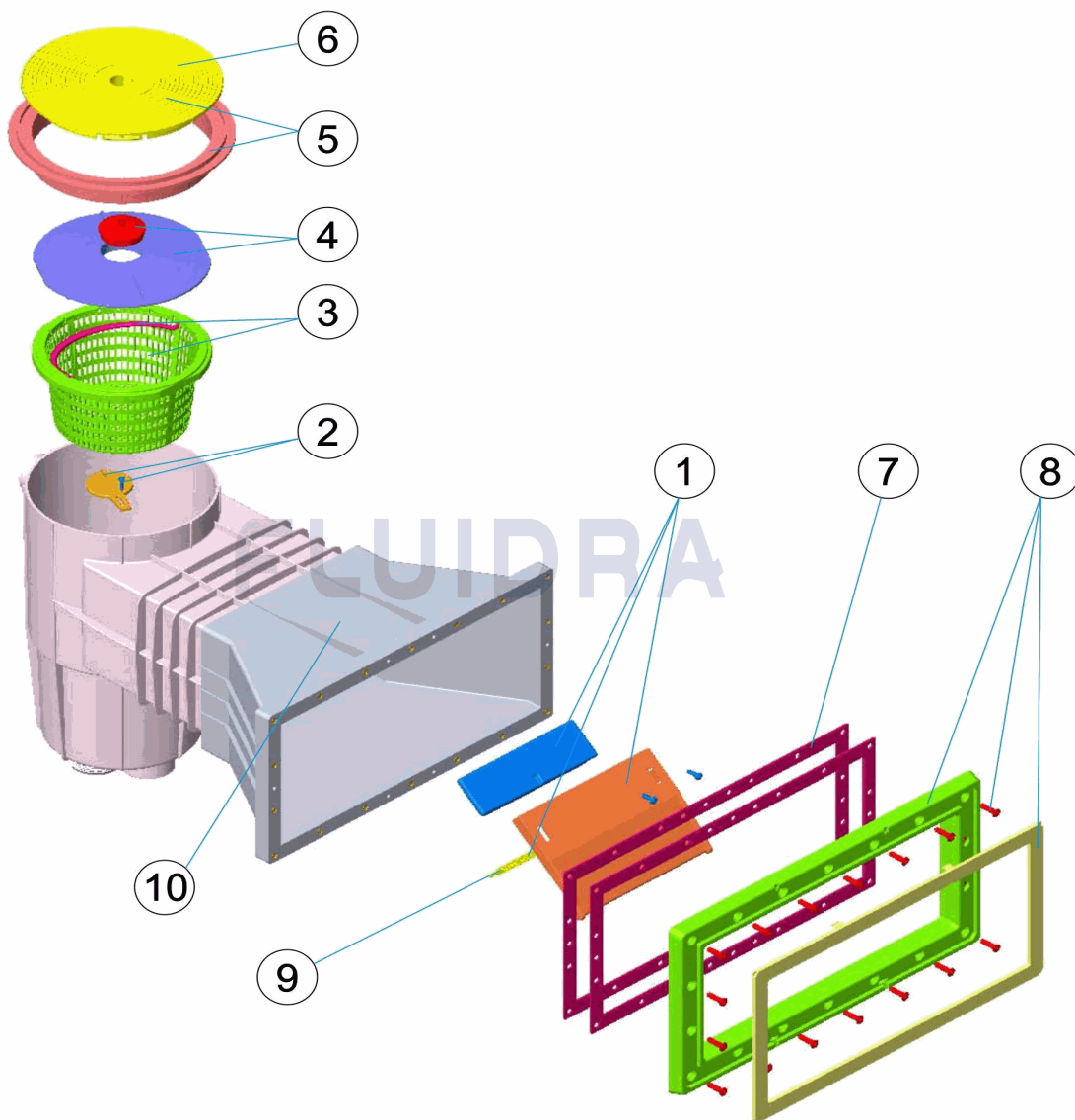


ESPAÑOL

POS	CODIGO	DESCRIPCION	CANTIDAD	POS	CODIGO	DESCRIPCION	CANTIDAD
1	44020101	COMPUERTA SKIMMER BISAGRA		6	4402010108	TAPA CIRCULAR SKIMMER	
2	44020102	CLAPETA SKIMMER		7	4402010407	JUNTA SKIMMER GRANDE PISC. PREF.	
3	44020103	CESTO SKIMMER		8	4402010408	MARCO BOCA SKIMMER PISC. PREF.	
4	44020104	TAPA CESTO SKIMMER CON TAPON		9	4402010110	BISAGRA COMPUERTA	
5	44020105	TAPA Y ARO CIRCULAR SKIMMER		10	02211R2001	BOCA AMPLIACION	

CODE 01463

DESCRIPTION: SKIMMER 15L PP. O.ÉLARGISSEMENT C.CIRC.

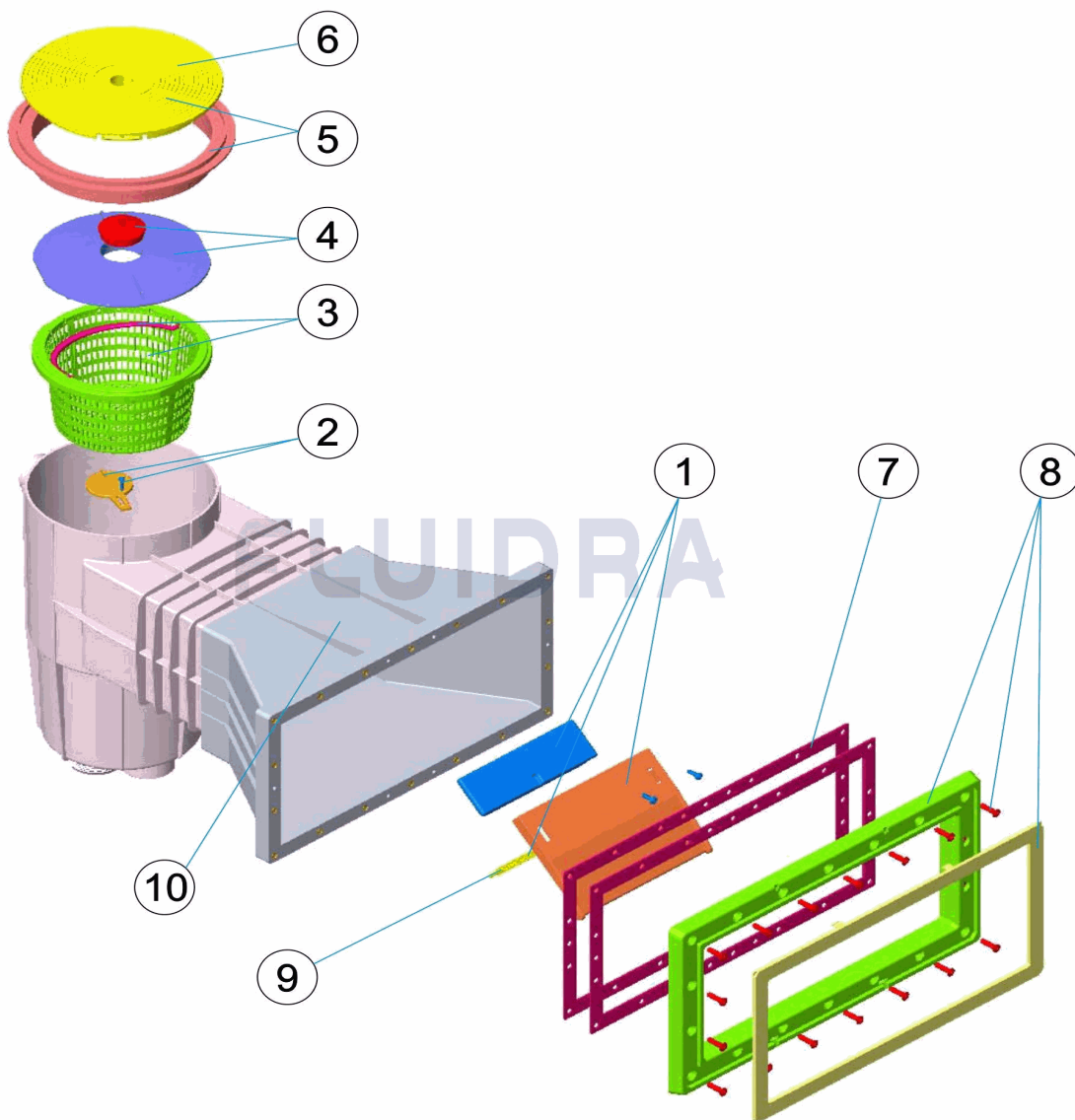


FRANCAIS

POS	CODE	DESCRIPTION	QUANTITE	POS	CODE	DESCRIPTION	QUANTITE
1	44020101	VOLET ET CHARNIERE SKIMMER		6	4402010108	COUVERCLE ROND SKIMMER	
2	44020102	CLAPET SKIMMER		7	4402010407	JOINT SKIM GRAND MOD PISCINE LINER	
3	44020103	PANIER SKIMMER		8	4402010408	BRIDE ET CACHE VIS KIT LINER	
4	44020104	COUVERCLE PANIER SKIMMER AVEC BOU		9	4402010110	CHARNIERE VOLET	
5	44020105	COUVERCLE ET CADRE ROND SKIMMER		10	02211R2001	MEURTRIERE	

CODE **01463**

DESCRIPTION: **SKIMMER 15L PP B.EXTENSION CIRC. COVER**

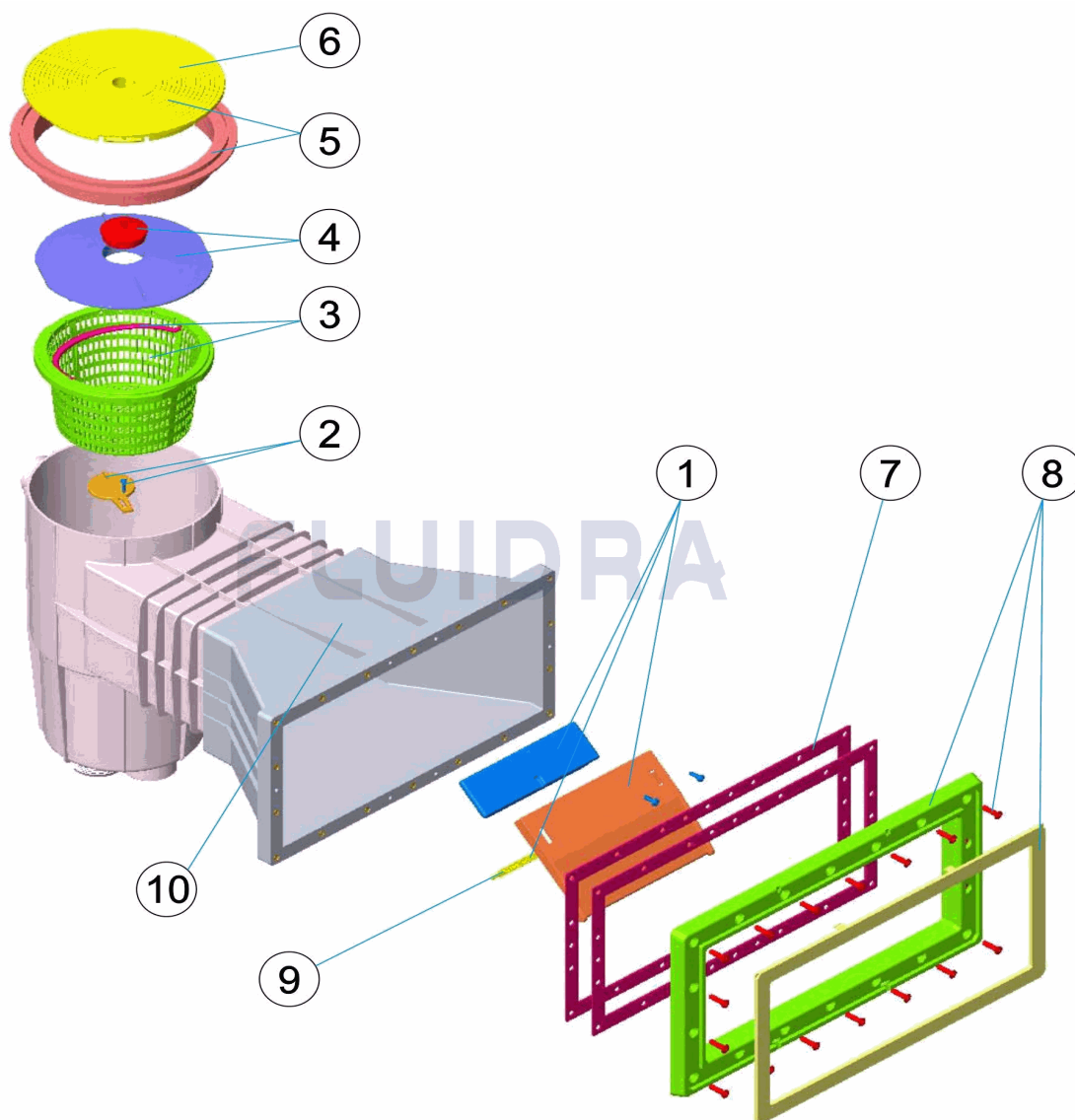


ENGLISH

POS	CODE	DESCRIPTION	QUANTITY	POS	CODE	DESCRIPTION	QUANTITY
1	44020101	FLAP RETAINING CLIP		6	4402010108	CIRCULAR SKIMMER LID	
2	44020102	KEYHOLE FLAP		7	4402010407	LARGE SKIMMER GASKETS FOR LINER	
3	44020103	SKIMMER BASKET		8	4402010408	SKIMMER FRAME FOR LINER	
4	44020104	VACUUM PLATE WITH PLUG		9	4402010110	HINGE FLAP	
5	44020105	CIRCULAR LID AND LID FRAME		10	02211R2001	WIDE THROAT	

CODICE **01463**

DESCRIZIONE: **SKIMMER 15L PP B. AMPLIAZIONE T. CIRC.**

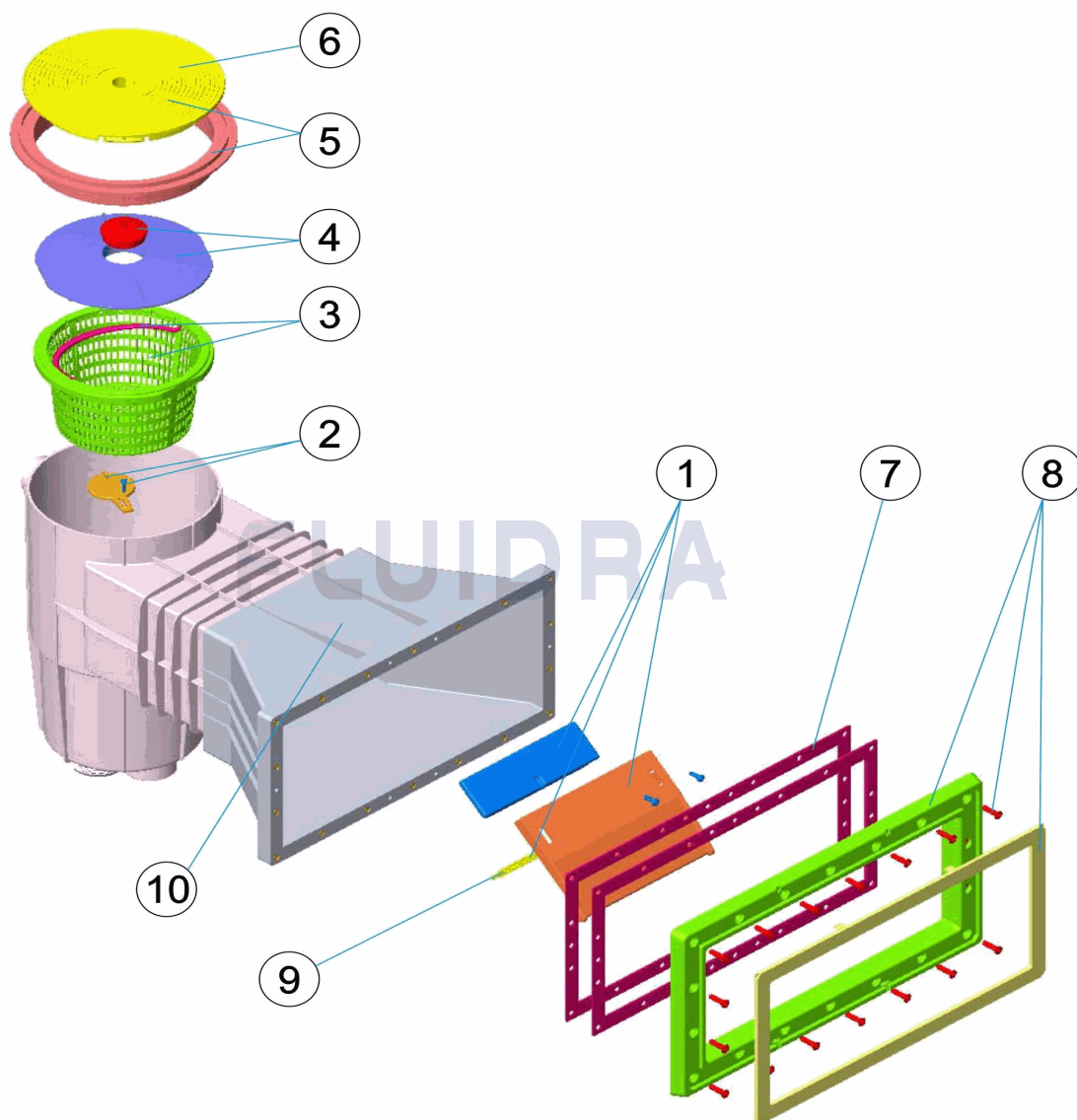


ITALIANO

POS	CODICE	DESCRIZIONE	QUANTITA'	POS	CODICE	DESCRIZIONE	QUANTITA'
1	44020101	BATTENTE SKIMMER CON PERNO		6	4402010108	COPERCHIO TONDO SKIMMER	
2	44020102	ALETTA PARZIALIZZATRICE SKIMMER		7	4402010407	GUARNIZIONE PER SKIMMER BOCCA A V P	
3	44020103	CESTELLO SKIMMER		8	4402010408	FLANGIA BOCCA SKIMMER PER PISCINA IN	
4	44020104	COPERCHIO CESTELLO SKIMMER CON TA		9	4402010110	CERNIERE BATTENTE	
5	44020105	COPERCHIO E CORNICE TONDA SKIMMER		10	02211R2001	BOCCA LARGA	

CODE **01463**

BESCHREIBUNG: **SKIMMER 15L PP. EINLASS ERWEITERT ABDECKUNG RUND**

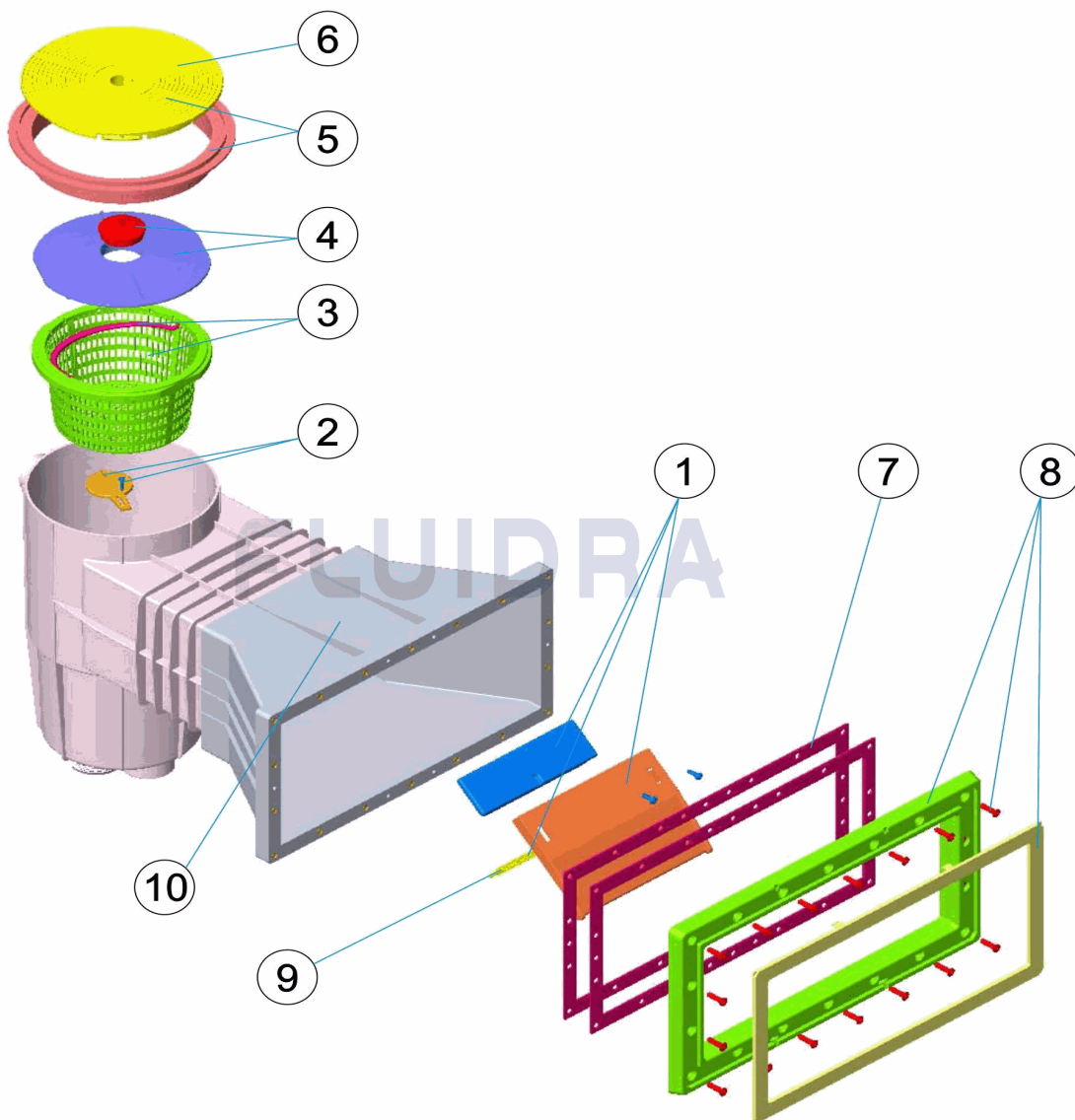


DEUTSCH

POS	CODE	BESCHREIBUNG	MENGE	POS	CODE	BESCHREIBUNG	MENGE
1	44020101	SKIMMERKLAPPE SCHARNIER		6	4402010108	ABDECKUNG RUND SKIMMER	
2	44020102	ABDECKKAPPE		7	4402010407	DICHTUNG SKIMMER GROSS FERTIGBECK	
3	44020103	SKIMMERKORB		8	4402010408	RAHMEN SKIMMEREINLASS FERTIGBECKE	
4	44020104	ABDECKUNG SKIMMKORB MIT STOPFEN		9	4402010110	SCHARNIER Klappe	
5	44020105	ABDECKUNG UND RING SKIMMER RUND		10	02211R2001	EINLASS ERWEITERT	

CODIGO **01463**

DESCRIÇÃO: **SKIMMER 15 L PP. B. AMPLIAÇÃO T.CIRC.**



PORTUGUES

POS	CODIGO	DESCRIÇÃO	JANTIDADE	POS	CODIGO	DESCRIÇÃO	JANTIDADE
1	4402010101	COMPORTA SKIMMER BISAGRA		6	4402010108	TAMPA CIRCULAR SKIMMER	
2	4402010102	CLAPETA SKIMMER		7	4402010407	JUNTA GRANDE DE SKIMMER	
3	4402010103	CESTO SKIMMER		8	4402010408	CAIXILHO BOCA SKIMMER	
4	4402010104	TAMPA CESTO SKIMMER		9	4402010110	DOBRADIÇA COMPORTA	
5	4402010105	TAMPA E ARO CIRCULAR SKIMMER		10	02211R2001	BOCA DE AMPLIAÇÃO	