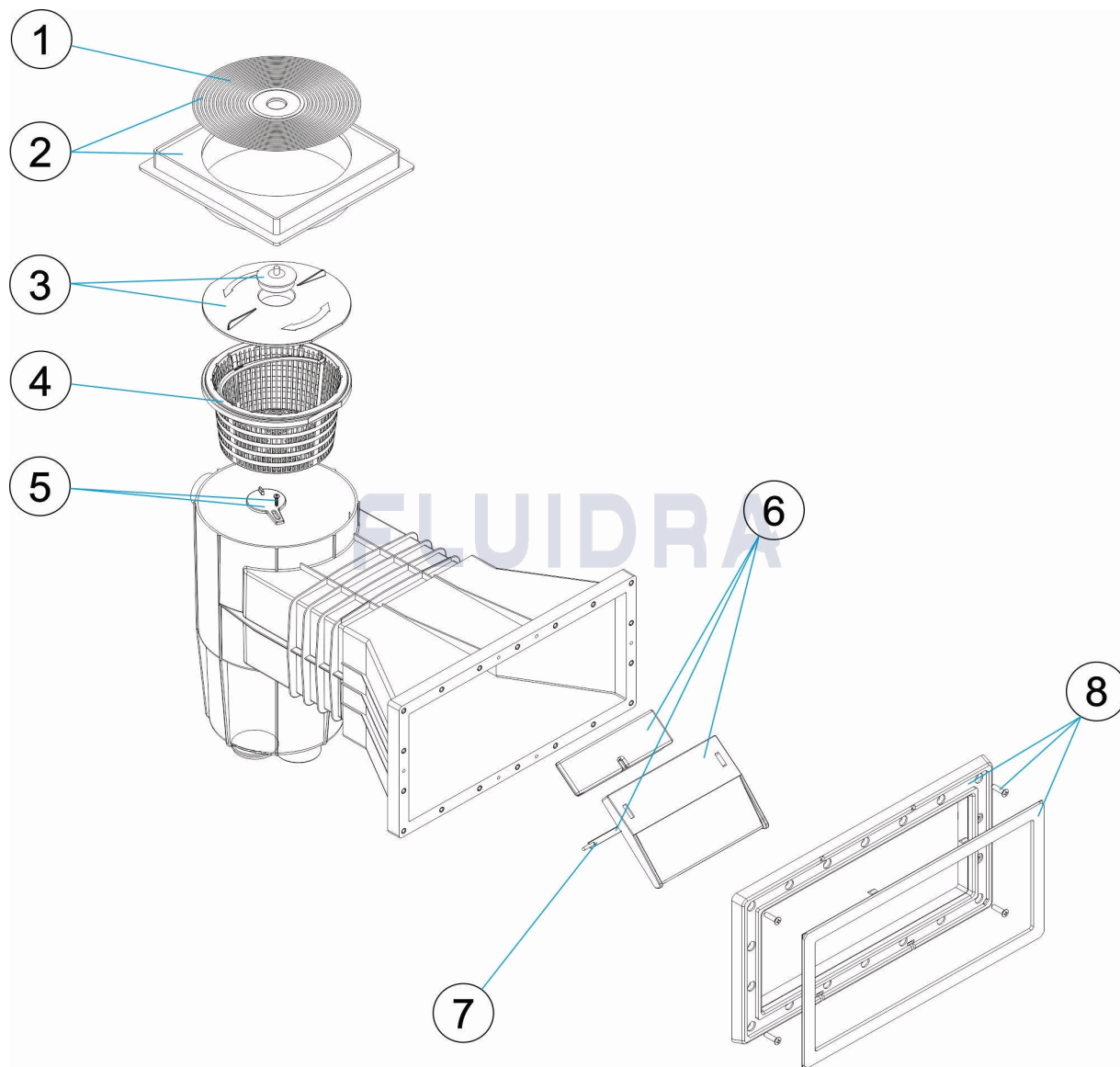


CODIGO **00252, 00252CL090, 00252CL129, 00252CL144**

DESCRIPCION: **SKIMMER 15L PH B.ANCHA T. CUADRADA**



**ESPAÑOL**

POS	CODIGO	DESCRIPCION	CANTIDAD	POS	CODIGO	DESCRIPCION	CANTIDAD
1	4402010108	TAPA CIRCULAR SKIMMER	6	* 4402010030	CONJUNTO COMPUERTA SKIMMER + FLOT		
2	4402010106	TAPA Y ARO CUADRADO SKIMMER	6	* 4402010072	COMPUERTA SKIMMER BISAGRA		
3	4402010104	TAPA CESTO SKIMMER CON TAPON	7	4402010110	BISAGRA COMPUERTA		
4	4402010103	CESTO SKIMMER	8	* 4402010207	MARCO BOCA SKIMMER PISC. HORM.		
5	4402010102	CLAPETA SKIMMER	8	* 4402010144	MARCO BOCA SKIMMER PISC. HORM.		
6	* 4402010101	COMPUERTA SKIMMER BISAGRA	8	* 4402010145	MARCO BOCA SKIMMER PISC. HORM.		
6	* 4402010026	CONJUNTO COMPUERTA SKIMMER + FLOT	8	* 4402010146	MARCO BOCA SKIMMER PISC. HORM.		

**CODIGO 00252, 00252CL090, 00252CL129, 00252CL144**

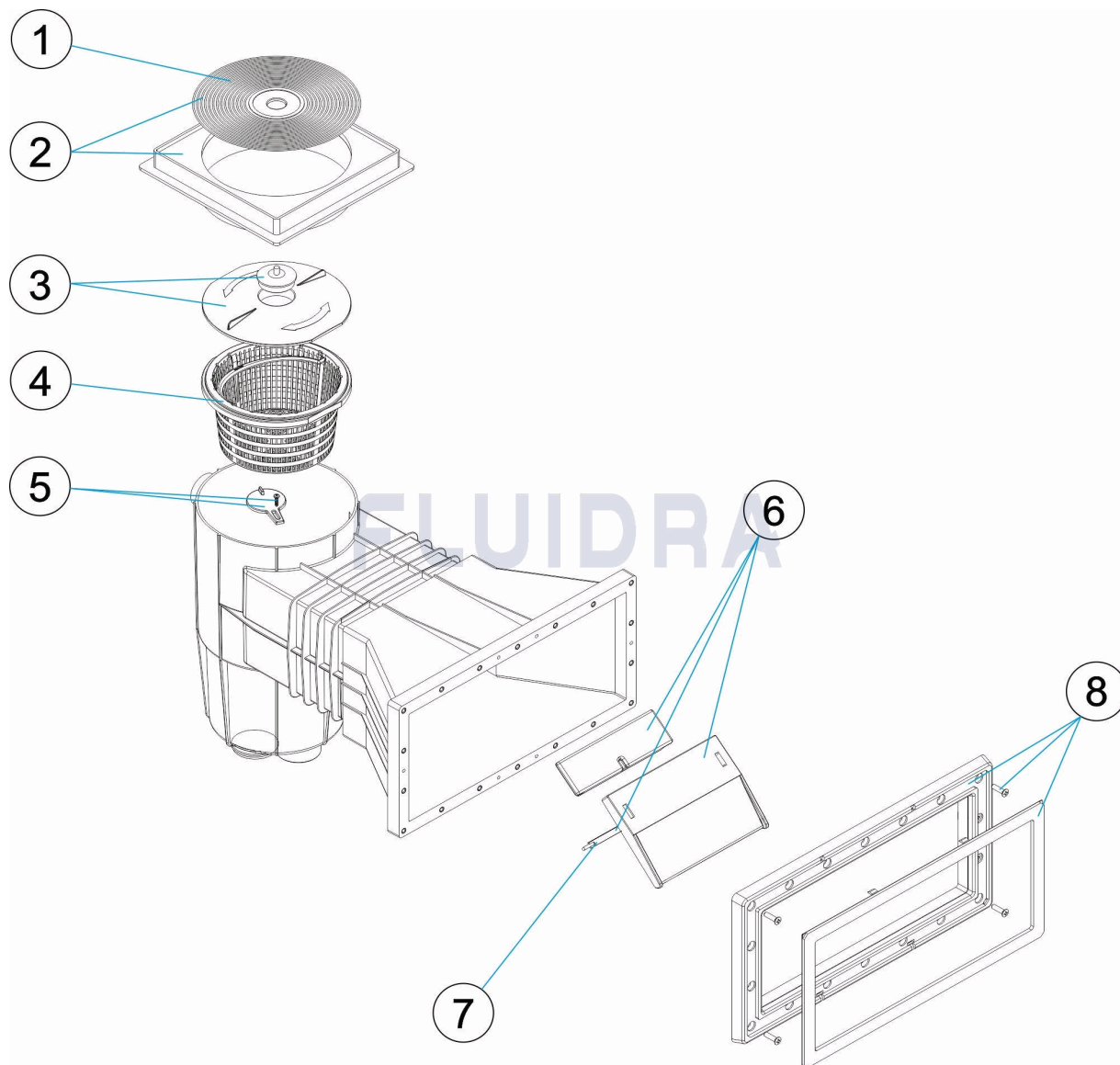
**DESCRIPCION: SKIMMER 15L PH B.ANCHA T. CUADRADA**

## OBSERVACIONES

POS	CODIGO	OBSERVACIONES
6	* 4402010101	PARA: 00252 BLANCO / WHITE
6	* 4402010026	PARA: 00252CL090 BEIGE
6	* 4402010030	PARA: 00252CL129 GRIS / GREY
6	* 4402010072	PARA: 00252CL144 ANTRACITA / ANTHRACITE
8	* 4402010207	PARA: 00252 BLANCO / WHITE
8	* 4402010144	PARA: 00252CL090 BEIGE
8	* 4402010145	PARA: 00252CL129 GRIS / GREY
8	* 4402010146	PARA: 00252CL144 ANTRACITA / ANTHRACITE

CODE 00252, 00252CL090, 00252CL129, 00252CL144

DESCRIPTION: SKIMMER 15L PH B.LARGE C. CARRÉ



FRANCAIS

POS	CODE	DESCRIPTION	QUANTITE	POS	CODE	DESCRIPTION	QUANTITE
1	4402010108	COUVERCLE ROND SKIMMER	6	* 4402010030	VOLET ET CHARNIERE SKIMMER		
2	4402010106	COUVERCLE ET CADRE CARRE SKIMMER	6	* 4402010072	VOLET ET CHARNIERE SKIMMER		
3	4402010104	COUVERCLE PANIER SKIMMER AVEC BOU	7	4402010110	CHARNIERE VOLET		
4	4402010103	PANIER SKIMMER	8	* 4402010207	CADRE BOUCHE SKIMMER PISCINE BETO		
5	4402010102	CLAPET SKIMMER	8	* 4402010144	CADRE BOUCHE SKIMMER PISCINE BETO		
6	* 4402010101	VOLET ET CHARNIERE SKIMMER	8	* 4402010145	CADRE BOUCHE SKIMMER PISCINE BETO		
6	* 4402010026	VOLET ET CHARNIERE SKIMMER	8	* 4402010146	CADRE BOUCHE SKIMMER PISCINE BETO		

CODE **00252, 00252CL090, 00252CL129, 00252CL144**

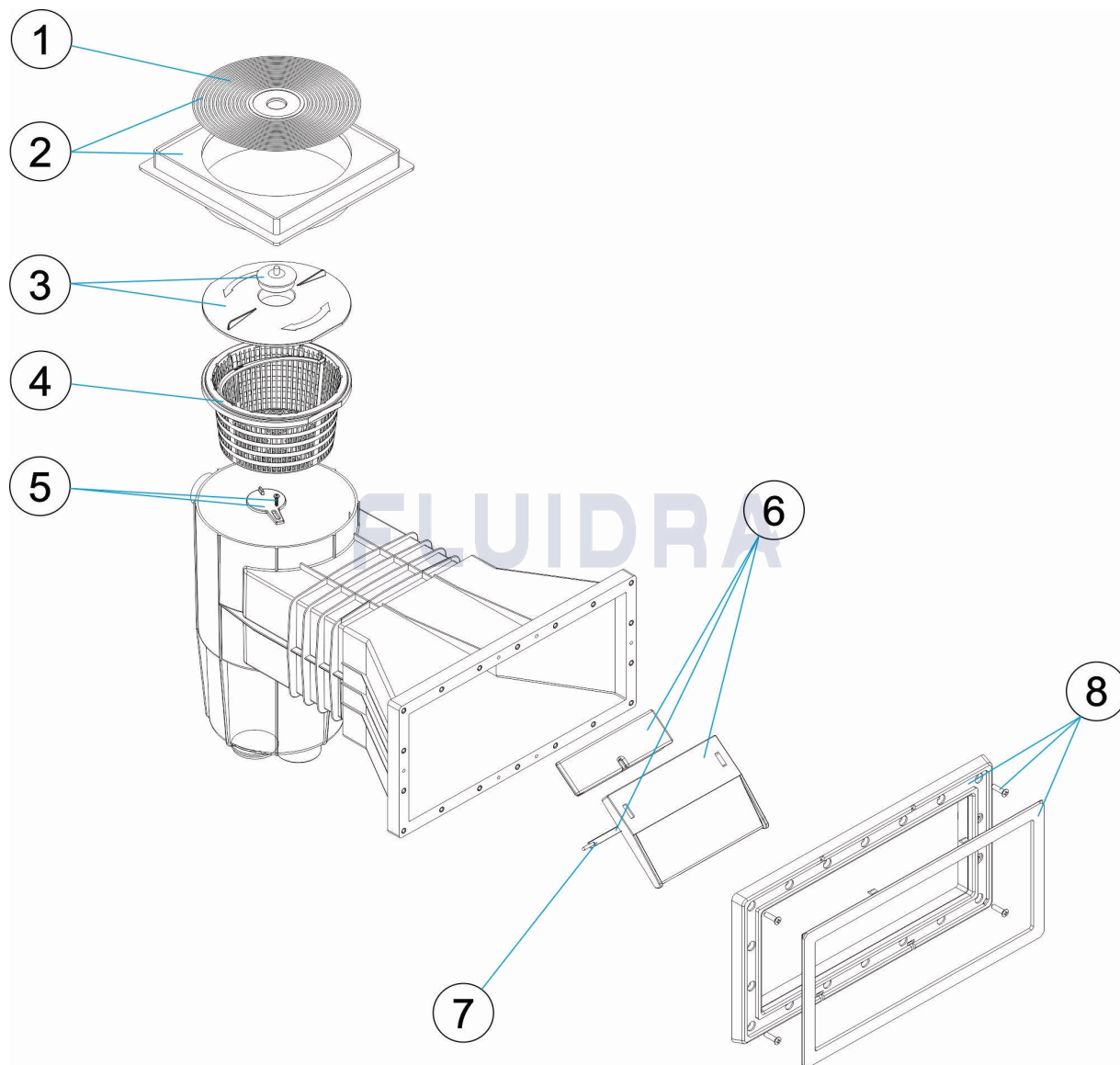
DESCRIPTION: **SKIMMER 15L PH B.LARGE C. CARRÉ**

## OBSERVATIONS

POS	CODE	OBSERVATIONS
6	* 4402010101	POUR: 00252 BLANCO / WHITE
6	* 4402010026	POUR: 00252CL090 BEIGE
6	* 4402010030	POUR: 00252CL129 GRIS / GREY
6	* 4402010072	POUR: 00252CL144 ANTRACITA / ANTHRACITE
8	* 4402010207	POUR: 00252 BLANCO / WHITE
8	* 4402010144	POUR: 00252CL090 BEIGE
8	* 4402010145	POUR: 00252CL129 GRIS / GREY
8	* 4402010146	POUR: 00252CL144 ANTRACITA / ANTHRACITE

CODE **00252, 00252CL090, 00252CL129, 00252CL144**

DESCRIPTION: **SKIMMER 15L PH WIDE MOUTH SQUARE COVER**



**ENGLISH**

POS	CODE	DESCRIPTION	QUANTITY	POS	CODE	DESCRIPTION	QUANTITY
1	4402010108	CIRCULAR SKIMMER LID		6	* 4402010030	FLAP RETAINING CLIP	
2	4402010106	SQUARE LID AND LID FRAME		6	* 4402010072	FLAP RETAINING CLIP	
3	4402010104	VACUUM PLATE WITH PLUG		7	4402010110	HINGE FLAP	
4	4402010103	SKIMMER BASKET		8	* 4402010207	CONCRETE SKIMMER FRAME	
5	4402010102	KEYHOLE FLAP		8	* 4402010144	CONCRETE SKIMMER FRAME	
6	* 4402010101	FLAP RETAINING CLIP		8	* 4402010145	CONCRETE SKIMMER FRAME	
6	* 4402010026	FLAP RETAINING CLIP		8	* 4402010146	CONCRETE SKIMMER FRAME	

CODE                    **00252, 00252CL090, 00252CL129, 00252CL144**

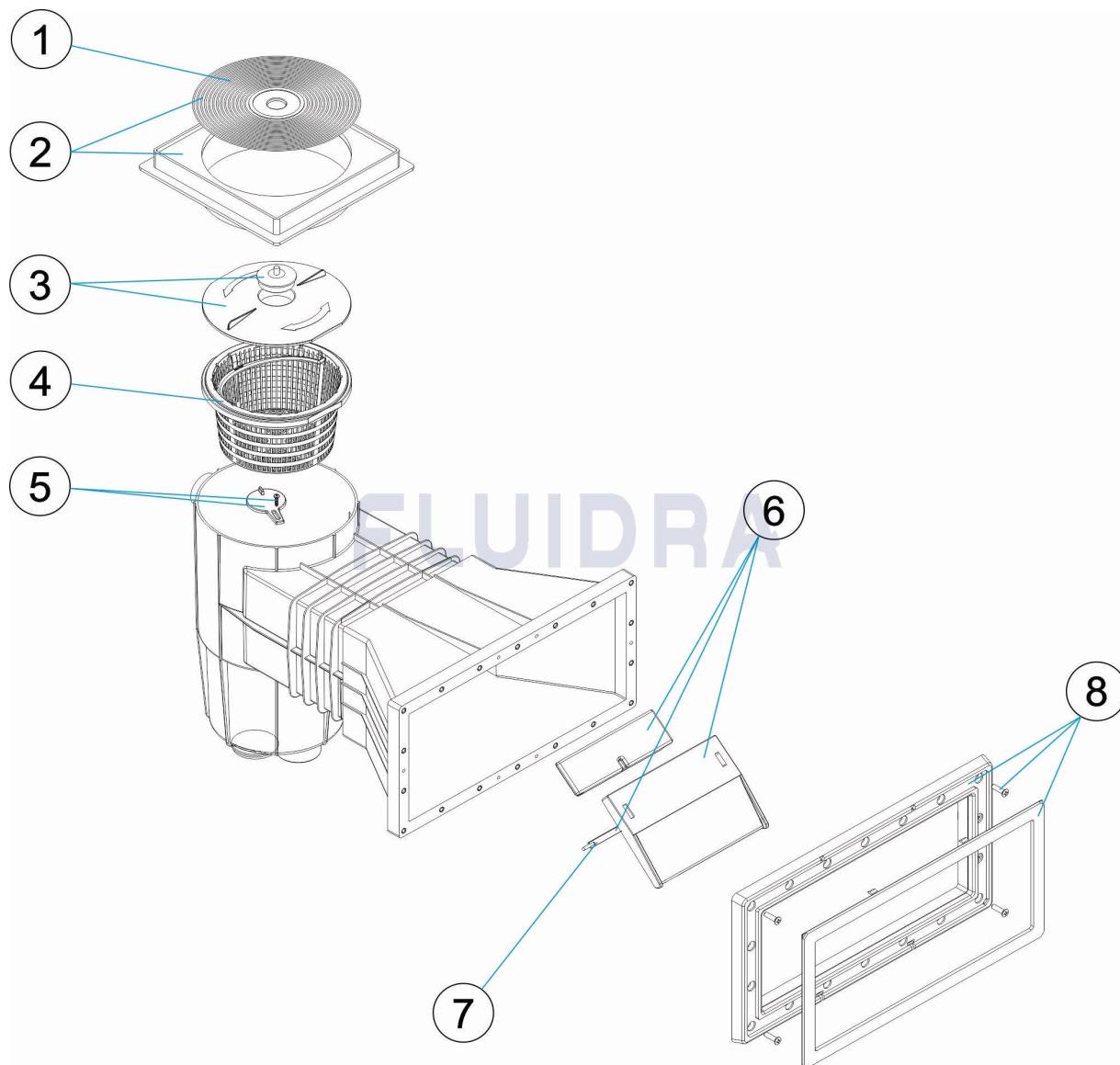
DESCRIPTION: **SKIMMER 15L PH WIDE MOUTH SQUARE COVER**

## OBSERVATIONS

POS	CODE	OBSERVATIONS
6	* 4402010101	FOR: 00252 BLANCO / WHITE
6	* 4402010026	FOR: 00252CL090 BEIGE
6	* 4402010030	FOR: 00252CL129 GRIS / GREY
6	* 4402010072	FOR: 00252CL144 ANTRACITA / ANTHRACITE
8	* 4402010207	FOR: 00252 BLANCO / WHITE
8	* 4402010144	FOR: 00252CL090 BEIGE
8	* 4402010145	FOR: 00252CL129 GRIS / GREY
8	* 4402010146	FOR: 00252CL144 ANTRACITA / ANTHRACITE

CODICE **00252, 00252CL090, 00252CL129, 00252CL144**

DESCRIZIONE: **SKIMMER 15L PH B. LARGA T. QUADRATO**



**ITALIANO**

POS	CODICE	DESCRIZIONE	QUANTITA'	POS	CODICE	DESCRIZIONE	QUANTITA'
1	4402010108	COPERCHIO TONDO SKIMMER		6	* 4402010030	BATTENTE SKIMMER CON PERNO	
2	4402010106	COPERCHIO E CORNICE QUADRA SKIMME		6	* 4402010072	BATTENTE SKIMMER CON PERNO	
3	4402010104	COPERCHIO CESTELLO SKIMMER CON TA		7	4402010110	CERNIERE BATTENTE	
4	4402010103	CESTELLO SKIMMER		8	* 4402010207	PER PISCINA IN C.A.	
5	4402010102	ALETTA PARZIALIZZATRICE SKIMMER		8	* 4402010144	PER PISCINA IN C.A.	
6	* 4402010101	BATTENTE SKIMMER CON PERNO		8	* 4402010145	PER PISCINA IN C.A.	
6	* 4402010026	BATTENTE SKIMMER CON PERNO		8	* 4402010146	PER PISCINA IN C.A.	

**CODICE 00252, 00252CL090, 00252CL129, 00252CL144**

**DESCRIZIONE: SKIMMER 15L PH B. LARGA T. QUADRATO**

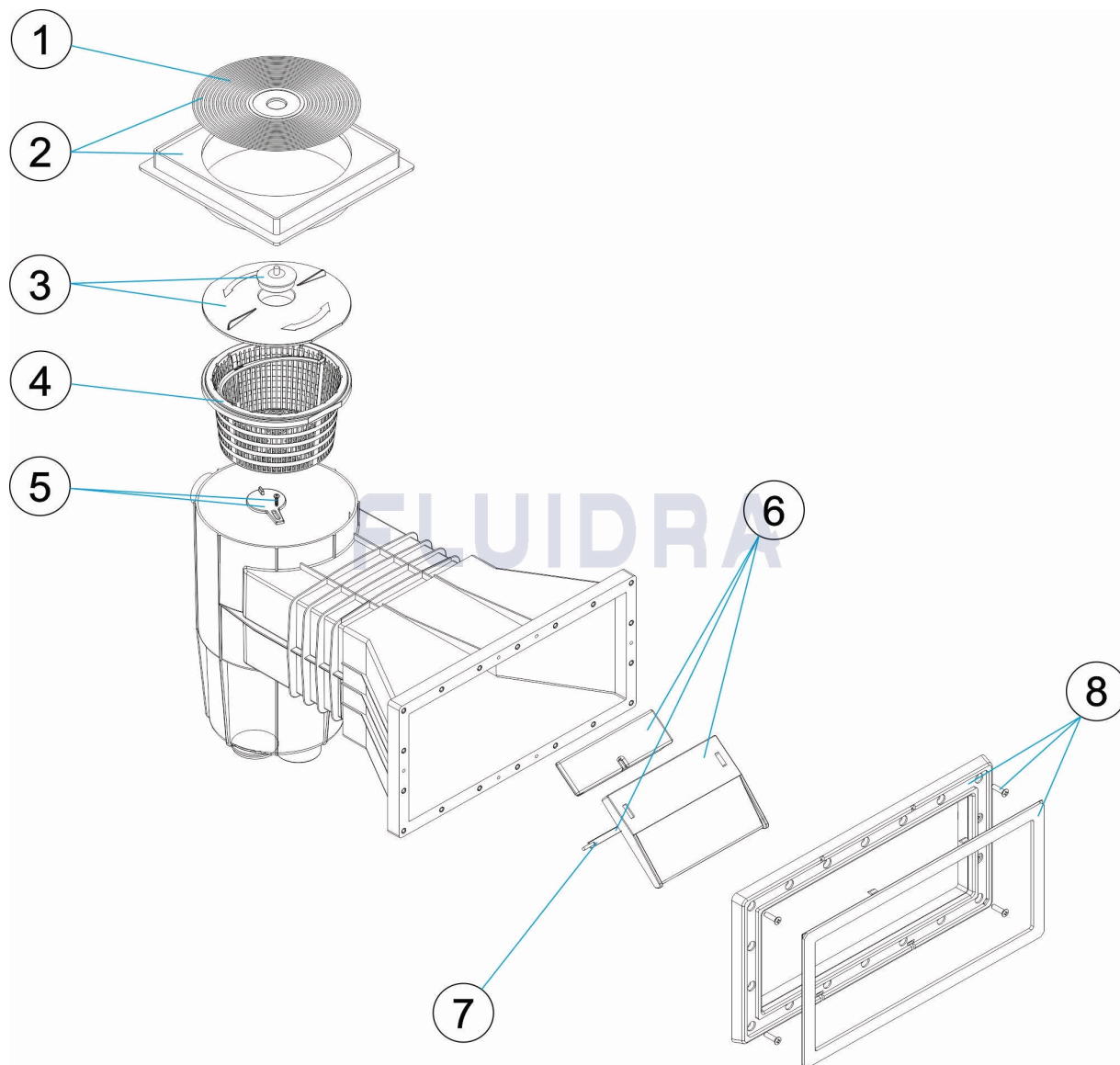
## OSSERVAZIONI

POS	CODICE	OSSERVAZIONI
6	* 4402010101	PER: 00252 BLANCO / WHITE
6	* 4402010026	PER: 00252CL090 BEIGE
6	* 4402010030	PER: 00252CL129 GRIS / GREY
6	* 4402010072	PER: 00252CL144 ANTRACITA / ANTHRACITE
8	* 4402010207	PER: 00252 BLANCO / WHITE
8	* 4402010144	PER: 00252CL090 BEIGE
8	* 4402010145	PER: 00252CL129 GRIS / GREY
8	* 4402010146	PER: 00252CL144 ANTRACITA / ANTHRACITE



CODE **00252, 00252CL090, 00252CL129, 00252CL144**

BESCHREIBUNG: **SKIMMER 15L PH EINLASS BREIT ABDECKUNG QUADRATISCH**



**DEUTSCH**

POS	CODE	BESCHREIBUNG	MENGE	POS	CODE	BESCHREIBUNG	MENGE
1	4402010108	ABDECKUNG RUND SKIMMER	6	* 4402010030	SET SKIMMERKLAPPE MIT SCHWIMMER		
2	4402010106	ABDECKUNG UND RING SKIMMER QUADR	6	* 4402010072	SKIMMERKLAPPE SCHARNIER		
3	4402010104	ABDECKUNG SKIMMKORB MIT STOPFEN	7	4402010110	SCHARNIER Klappe		
4	4402010103	SKIMMERKORB	8	* 4402010207	RAHMEN SKIMMEREINLASS BETONBECKE		
5	4402010102	ABDECKKAPPE	8	* 4402010144	RAHMEN SKIMMEREINLASS BETONBECKE		
6	* 4402010101	SKIMMERKLAPPE SCHARNIER	8	* 4402010145	RAHMEN SKIMMEREINLASS BETONBECKE		
6	* 4402010026	SET SKIMMERKLAPPE MIT SCHWIMMER	8	* 4402010146	RAHMEN SKIMMEREINLASS BETONBECKE		

CODE **00252, 00252CL090, 00252CL129, 00252CL144**

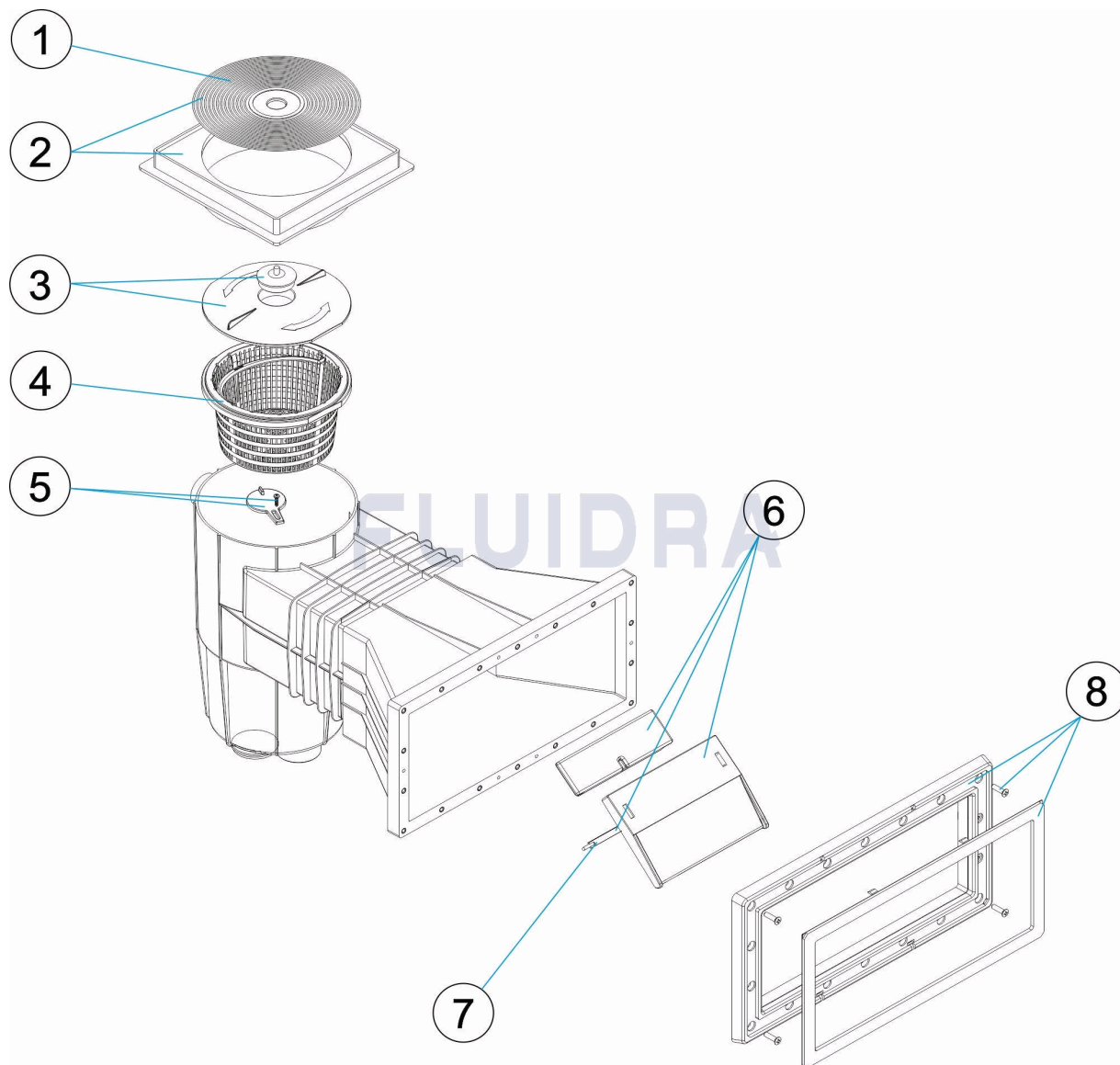
BESCHREIBUNG: **SKIMMER 15L PH EINLASS BREIT ABDECKUNG QUADRATISCH**

## HINWEISE

POS	CODE	HINWEISE
6	* 4402010101	FÜR: 00252 BLANCO / WHITE
6	* 4402010026	FÜR: 00252CL090 BEIGE
6	* 4402010030	FÜR: 00252CL129 GRIS / GREY
6	* 4402010072	FÜR: 00252CL144 ANTRACITA / ANTHRACITE
8	* 4402010207	FÜR: 00252 BLANCO / WHITE
8	* 4402010144	FÜR: 00252CL090 BEIGE
8	* 4402010145	FÜR: 00252CL129 GRIS / GREY
8	* 4402010146	FÜR: 00252CL144 ANTRACITA / ANTHRACITE

CODIGO **00252, 00252CL090, 00252CL129, 00252CL144**

DESCRIÇÃO: **SKIMMER 15 L PH B. LARGA T. QUADRADA**



**PORTUGUES**

POS	CODIGO	DESCRIÇÃO	JANTIDADE	POS	CODIGO	DESCRIÇÃO	JANTIDADE
1	4402010108	TAMPA CIRCULAR SKIMMER		6	* 4402010030	COMPORTA SKIMMER BISAGRA	
2	4402010106	TAMPA E ARO QUADRADO SKIMMER		6	* 4402010072	COMPORTA SKIMMER BISAGRA	
3	4402010104	TAMPA CESTO SKIMMER		7	4402010110	DOBRADIÇA COMPORTA	
4	4402010103	CESTO SKIMMER		8	* 4402010207	CAIXILHO BOCA SKIMMER PISCINA BETÃO	
5	4402010102	CLAPETA SKIMMER		8	* 4402010144	CAIXILHO BOCA SKIMMER PISCINA BETÃO	
6	* 4402010101	COMPORTA SKIMMER BISAGRA		8	* 4402010145	CAIXILHO BOCA SKIMMER PISCINA BETÃO	
6	* 4402010026	COMPORTA SKIMMER BISAGRA		8	* 4402010146	CAIXILHO BOCA SKIMMER PISCINA BETÃO	

**CODIGO 00252, 00252CL090, 00252CL129, 00252CL144**

**DESCRIÇÃO: SKIMMER 15 L PH B. LARGA T. QUADRADA**

## OBSERVAÇÕES

POS	CODIGO	OBSERVAÇÕES
6	* 4402010101	PARA: 00252 BLANCO / WHITE
6	* 4402010026	PARA: 00252CL090 BEIGE
6	* 4402010030	PARA: 00252CL129 GRIS / GREY
6	* 4402010072	PARA: 00252CL144 ANTRACITA / ANTHRACITE
8	* 4402010207	PARA: 00252 BLANCO / WHITE
8	* 4402010144	PARA: 00252CL090 BEIGE
8	* 4402010145	PARA: 00252CL129 GRIS / GREY
8	* 4402010146	PARA: 00252CL144 ANTRACITA / ANTHRACITE