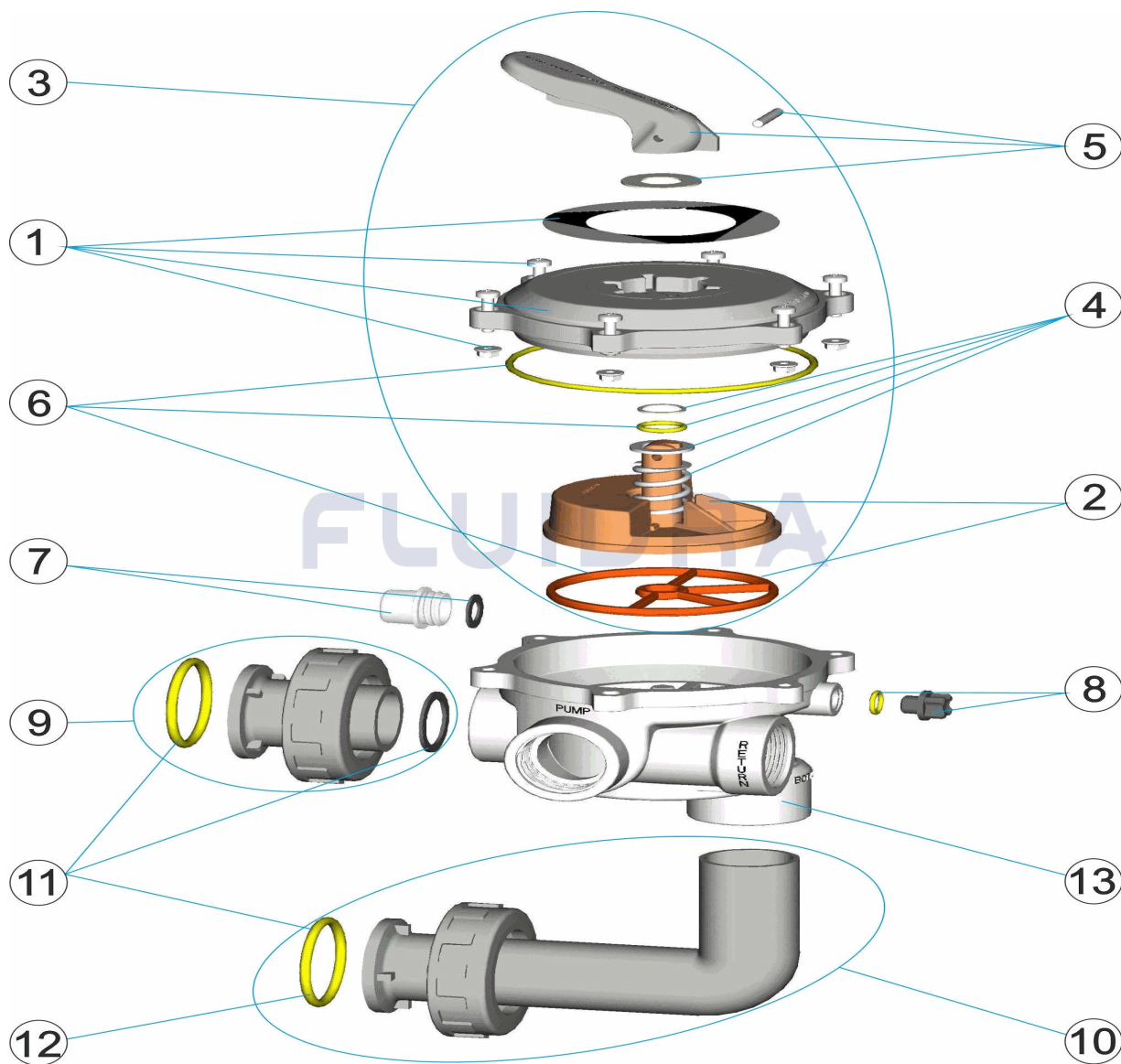


CODIGO **34543**

DESCRIPCION: **VALVULA SELECTORA 1 1/2" ENLACE FILTRO - FLA "**

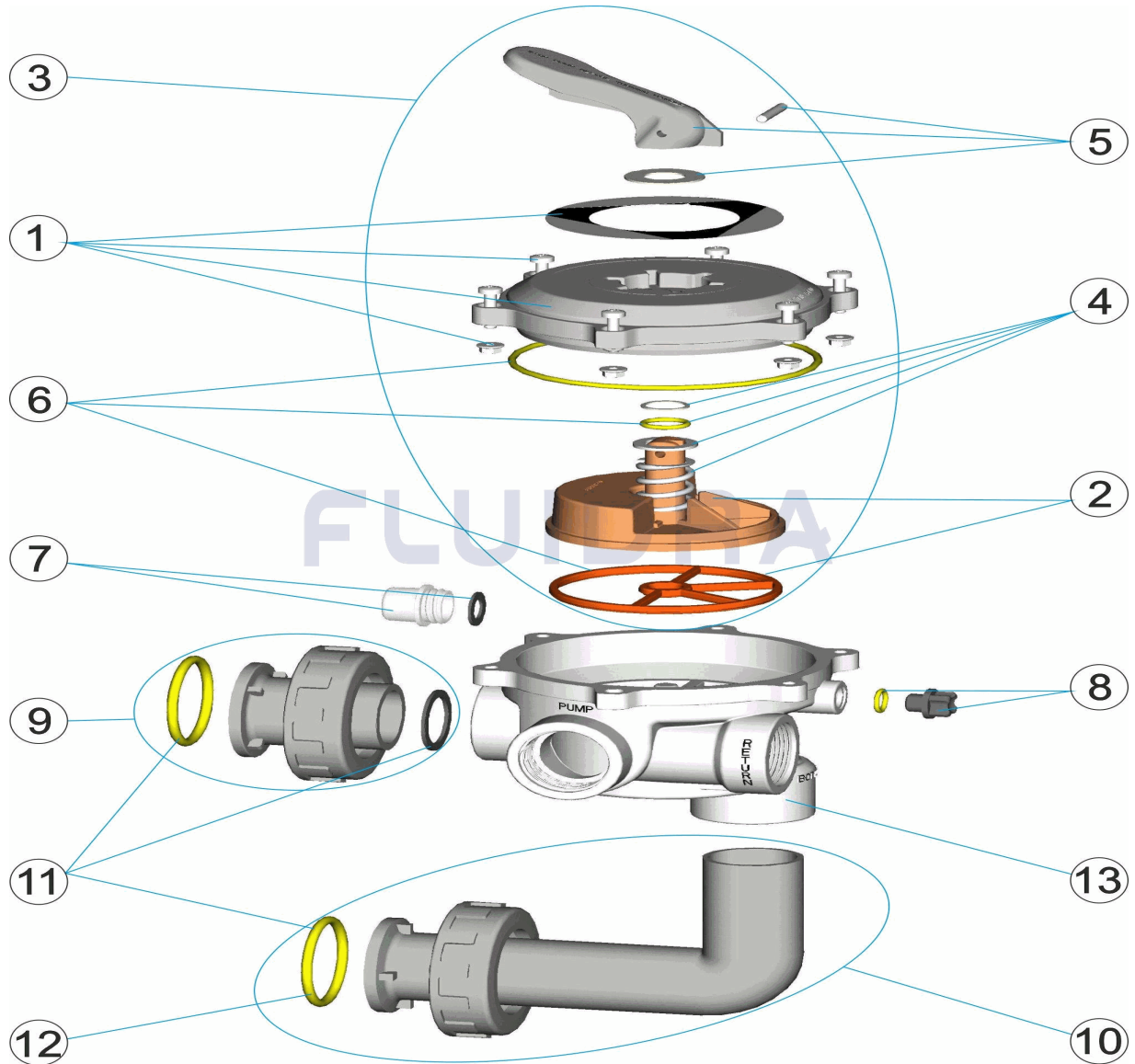


ESPAÑOL

POS	CODIGO	DESCRIPCION	CANTIDAD	POS	CODIGO	DESCRIPCION	CANTIDAD
1	4404122401	CJTO. TAPA 1 1/2" - FLA "		8	4404121107	TAPON 1/4" VALVULA	
2	4404122402	DISTRIBUIDOR CON JUNTA 1 1/2" - FLA "		9	4404120202	ENLACE RECTO NEGRO 1 1/2" NUEVO	
3	4404122403	CJTO. SUPERIOR 1 1/2" - FLA "		10	4404120204	ENLACE ACODADO NEGRO 1 1/2" NUEVO	
4	4404122404	RESORTE VALVULA 1 1/2" - FLA "		11	4404120205	JUNTAS ENLACE 1 1/2'	
5	4404122101	MANETA 1 1/2" EC "		12	4404301901	JUNTA TORICA RACCOR SALIDA EPDM 65	
6	4404122104	JUNTAS VALVULA 1 1/2" EC "		13	34543R0101	CJTO. CUERPO 1 1/2" - FLA "	
7	4404120108	VISOR CON JUNTA					

CODE 34543

DESCRIPTION: SÉLECTEUR 1 1/2" LIEN FILTRE - FLA "

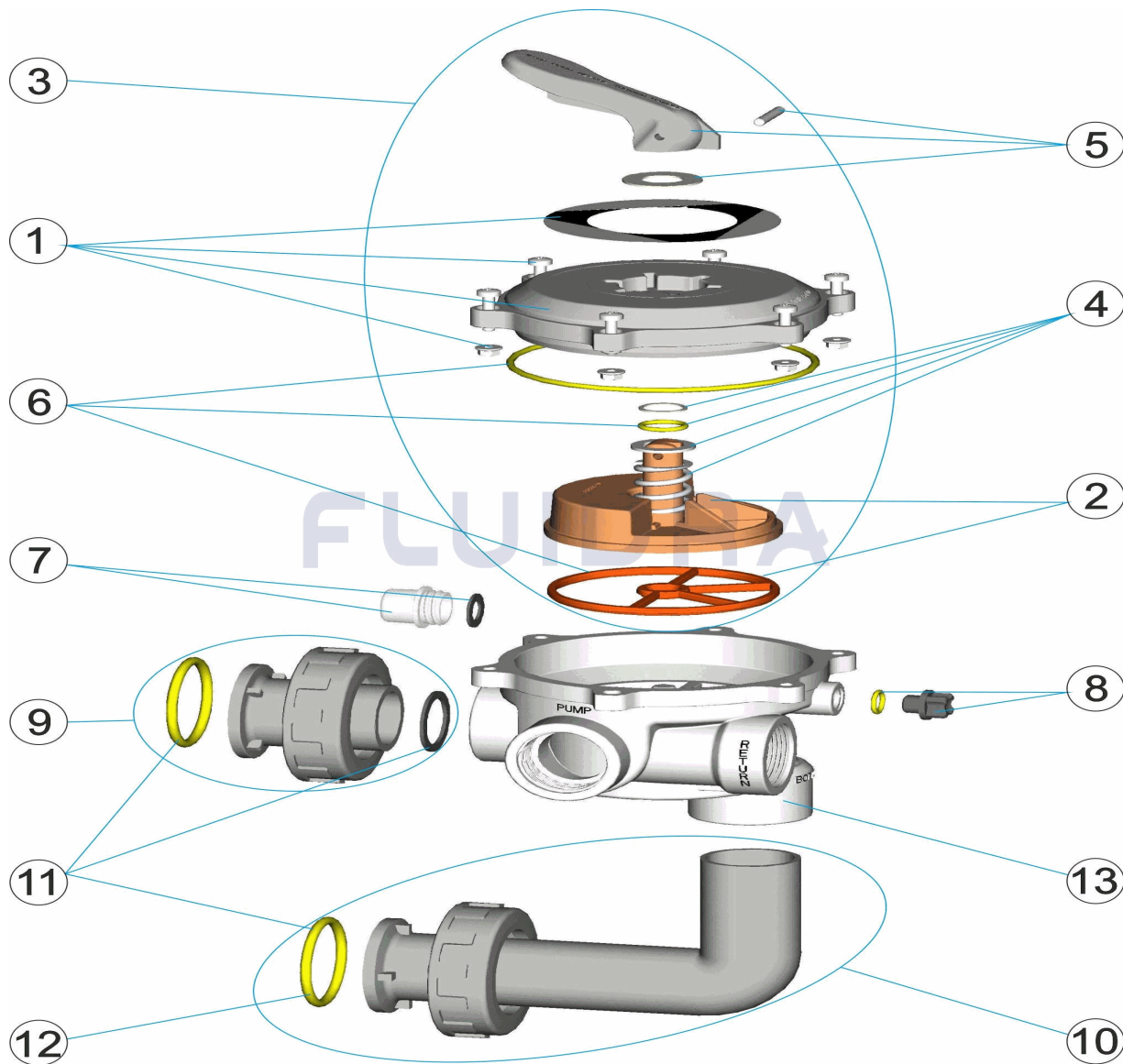


FRANCAIS

POS	CODE	DESCRIPTION	QUANTITE	POS	CODE	DESCRIPTION	QUANTITE
1	4404122401	ANSEMBLE TAPPO 1 1/2" FLA "		8	4404121107	BOUCHON 1/4' DE VANNE	
2	4404122402	DISTRIBUTEUR AVEC JOINT 1 1/2" FLA "		9	4404120202	SORTIE DROITE NOIRE 1 1/2' NOUVEAU MC	
3	4404122403	ENSEMBLE SUPÉRIEUR 1 1/2" FLA "		10	4404120204	SORTIE COUDEE NOIRE 1 1/2'	
4	4404122404	RESSORT DE VANNE 1 1/2" FLA "		11	4404120205	JOINTS DE SORTIES 1 1/2'	
5	4404122101	POIGNEE 1 1/2" EC "		12	4404301901	JOINT TORIQUE RACCORD SORTIE D.56,3)	
6	4404122104	JOINTS DE VANNE 1 1/2" EC "		13	34543R0101	CORPS 1 1/2" VANNE FLA "	
7	4404120108	VOYANT ET JOINT					

CODE **34543**

DESCRIPTION: **MULTIPORT VALVE 1 1/2" FILTER CONNECTION - FLA "**

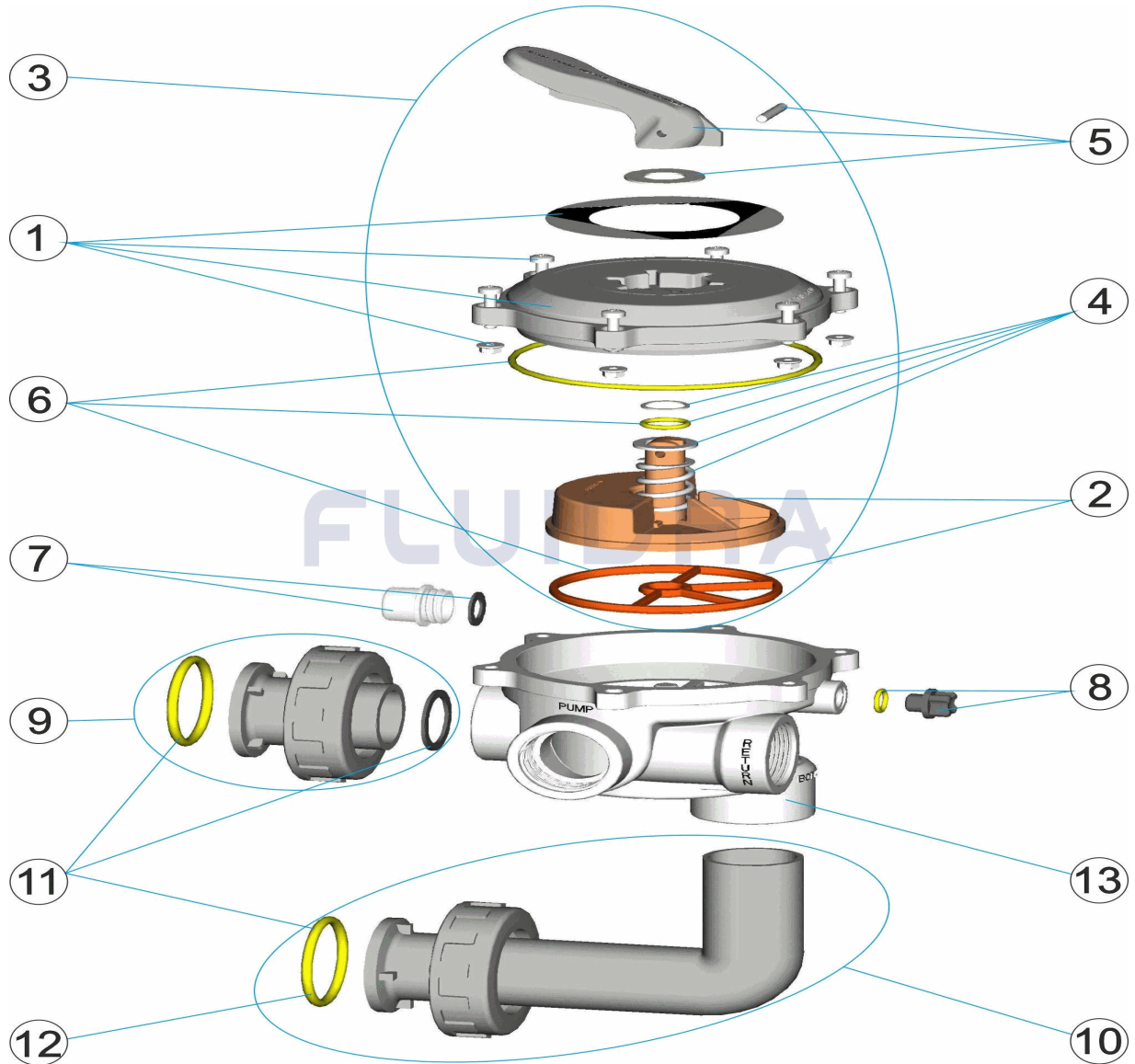


ENGLISH

POS	CODE	DESCRIPTION	QUANTITY	POS	CODE	DESCRIPTION	QUANTITY
1	4404122401	LID SET 1 1/2" FLA "		8	4404121107	PLUG 1/4'	
2	4404122402	DISTRIBUTOR WITH GASKETS 1 1/2" FLA '		9	4404120202	UNION BLACK 1 1/2' NEW	
3	4404122403	SUPERIOR SET 1 1/2" FLA "		10	4404120204	ELBOW BLACK 1 1/2' NEW	
4	4404122404	SPRING 1 1/2" FLA "		11	4404120205	UNION SEALS 1 1/2'	
5	4404122101	HANDLE 11/2' ECO		12	4404301901	O RING D.56,3X5,3 EPDM65	
6	4404122104	GASKETS 1 1/2" EC "		13	34543R0101	LOWER PART SELECTOR VALVE 1 1/2" FLA	
7	4404120108	VISOR WITH SEAL					

CODICE 34543

DESCRIZIONE: VALVOLA SELETRICE 1 1/2" COLLEGAMENTO FILTRO - FLA "

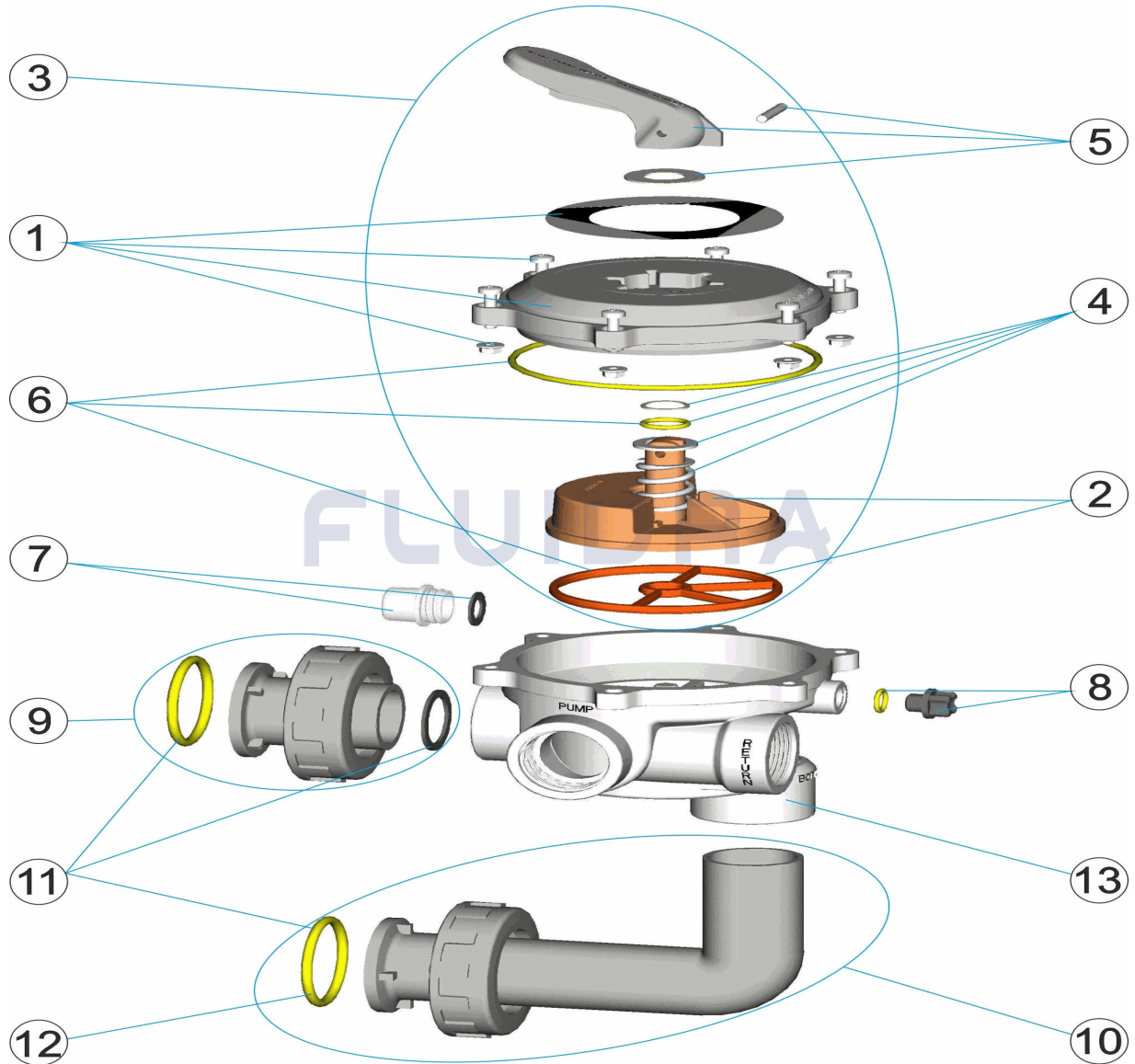


ITALIANO

POS	CODICE	DESCRIZIONE	QUANTITA'	POS	CODICE	DESCRIZIONE	QUANTITA'
1	4404122401	KIT COPERCHIO 1 1/2" FLA "		8	4404121107	COPERCHIO 1/4' VALVOLA	
2	4404122402	CAMPANA CON GUARNIZIONE SELETRIC		9	4404120202	RACCORDO DIRITTO NERO 1 1/2 NUOVO	
3	4404122403	IL SUPERIORE HA REGOLATO 1 1/2" FLA "		10	4404120204	RACCORDO A GOMITO NERO 1 1/2 NUOVO	
4	4404122404	MOLLA VALVOLA 1 1/2" FLA "		11	4404120205	GUARNIZIONE PER RACCORDO 1 1/2'	
5	4404122101	MANIGLIA 1 1/2' ECO		12	4404301901	O-RING RACCORDO USCITA D.56,3X5.3 EPI	
6	4404122104	GUARNIZIONI VALVOLA 1 1/2' ECO		13	34543R0101	CORPO VALVOLA 1 1/2" FLA "	
7	4404120108	VISORE CON GUARNIZIONE					

CODE 34543

BESCHREIBUNG: MEHRWEGVENTIL 1 1/2" ANSCHLUSS FILTER - FLA "

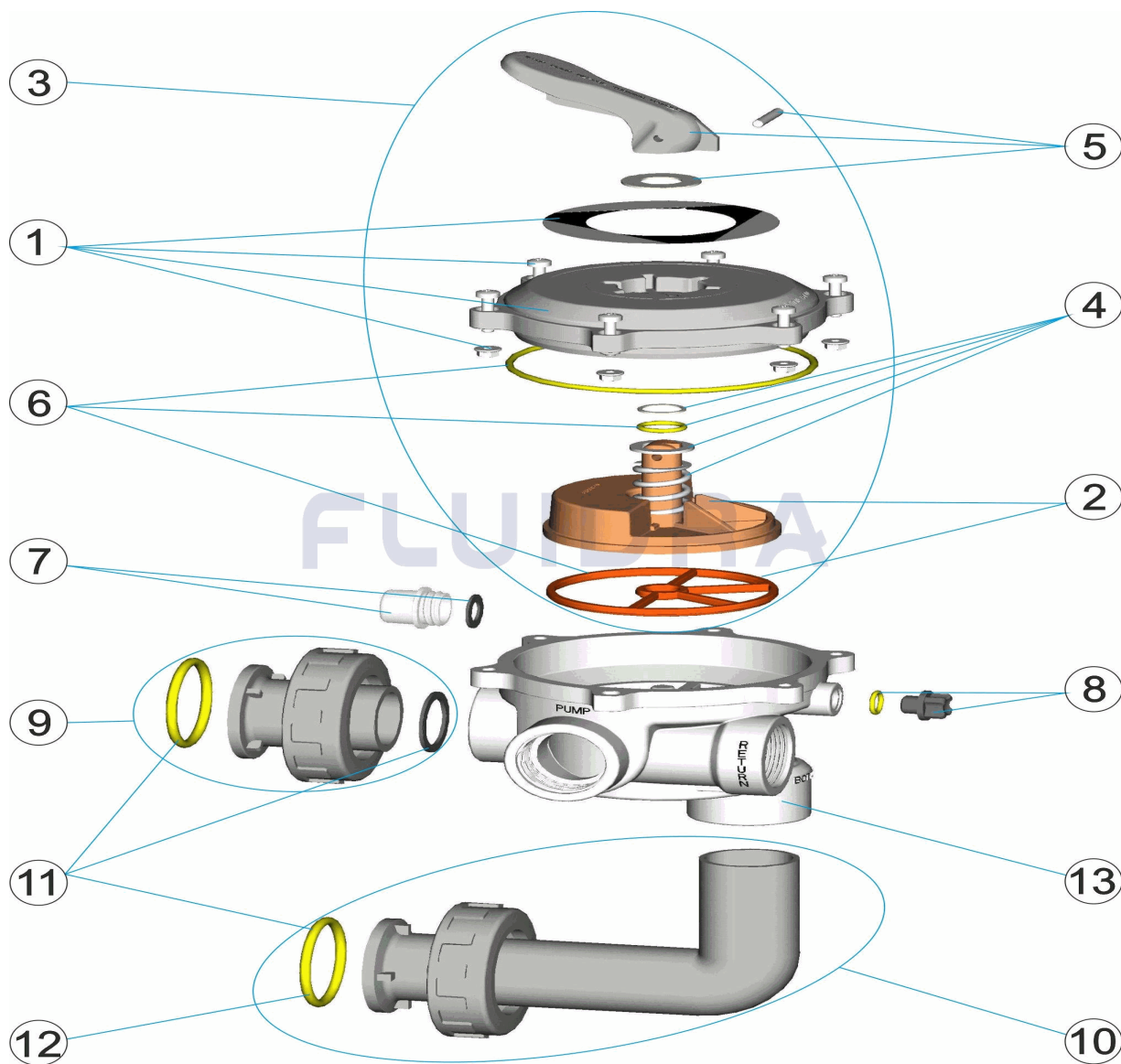


DEUTSCH

POS	CODE	BESCHREIBUNG	MENGE	POS	CODE	BESCHREIBUNG	MENGE
1	4404122401	SET ABDECKUNG 1 1/2" - FLA "		8	4404121107	STOPFEN 1/4' VENTIL	
2	4404122402	VERTEILER UND DICHTUNG 1 1/2" - FLA "		9	4404120202	ANSCHLUSS GERADE SCHWARZ 1 1/2' NEU	
3	4404122403	SET OBEN 1 1/2" - FLA "		10	4404120204	ANSCHLUSSWINKEL SCHWARZ 1 1/2' NEU	
4	4404122404	VENTILFEDER 1 1/2" - FLAC "		11	4404120205	DICHTUNGEN ANSCHLUSS 1 1/2'	
5	4404122101	GRIFF 1 1/2" EC "		12	4404301901	O-RING GEWINDESTÜCK AUSGANG EPDM	
6	4404122104	VENTILDICHTUNGEN 1 1/2" EC "		13	34543R0101	SET GEHÄUSE 1 1/2" - FLA "	
7	4404120108	SCHAUGLAS UND DICHTUNG					

CODIGO **34543**

DESCRIÇÃO: **VÁLVULA SELECTORA 1 1/2" LIGAÇÃO FILTRO - FLA "**



PORTUGUES

POS	CODIGO	DESCRIÇÃO	JANTIDADE	POS	CODIGO	DESCRIÇÃO	JANTIDADE
1	4404122401	CONJUNTO TAMPA 1 1/2" FLA "		8	4404121107	TAMPÃO 1/4' VÁLVULA	
2	4404122402	DISTRIBUIDOR CON JUNTA 1 1/2" FLA "		9	4404120202	LIGAÇÃO RECTA PRETA 1 1/2' NOVA	
3	4404122403	CONJUNTO SUPERIOR 1 1/2" FLA "		10	4404120204	LIGAÇÃO CURVA PRETA 1 1/2' NOVA	
4	4404122404	TAMPA PARAFUSOS 1 1/2" FLA "		11	4404120205	JUNTAS LIGAÇÃO 1 1/2'	
5	4404122101	MANIPULO 1 1/2' ECO		12	4404301901	JUNTA TÓRICA D.56.3X5.3 EPDM 65	
6	4404122104	JUNTAS VÁLVULA 1 1/2' ECO		13	34543R0101	CORPO 1 1/2" FLA "	
7	4404120108	VISOR COM JUNTA					