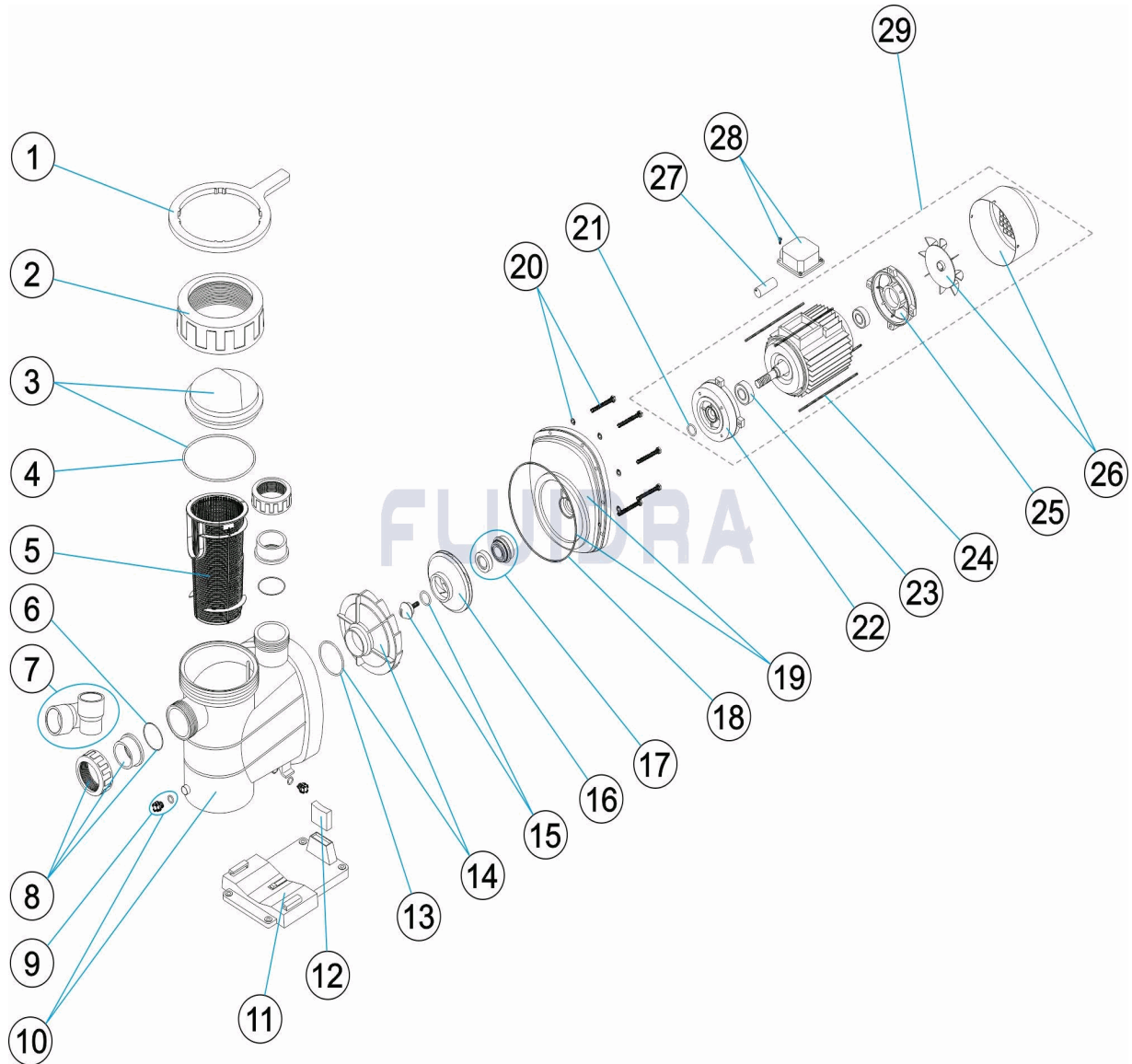


CODIGO 15238, 15239, 15240, 15241, 15242, 15243, 15244, 15245, 15246, 15247, 15248

DESCRIPCION: BOMBA ASTRAL GLASS PLUS



ESPAÑOL

POS	CODIGO	DESCRIPCION	CANTIDAD	POS	CODIGO	DESCRIPCION	CANTIDAD
1	4404130103	LLAVE TUERCA FILTRO		14	* 4405010616	DIFUSOR 0,5-0,75 HP	
2	4404130101	TUERCA TAPA PREFILTRO		14	* 4405010617	DIFUSOR 1-1,5 HP	
3	4405012202	TAPA PREFILTRO CON JUNTA		14	* 4405010618	DIFUSOR 2-3 HP	
4	4405010178	JUNTA TORICA D. 151,7X6,99		15	* 4405010633	TAPON RODETE AGP	
5	4405010105	CESTO PREFILTRO		16	* 4405010620	RODETE 0,5 HP II 50 HZ	
6	4405010179	JUNTA PLANA 72X55X2,5		16	* 4405010621	RODETE 0,5 HP III 50 HZ	
7	* 4405010717	ACCESORIOS ENLACE 3 HP		16	* 4405010622	RODETE 0,75 HP II 50 HZ	
8	* 4405010106	ACCESORIOS ENLACE <= 1 HP		16	* 4405010623	RODETE 0,75 HP III 50 HZ	
8	* 4405010107	ACCESORIOS ENLACE 1,5 HP - 2,5 HP		16	* 4405010624	RODETE 1 HP II 50 HZ	
9	4405010110	TAPONES PURGA "		16	* 4405010625	RODETE 1 HP III 50 HZ	
10	4405010611	CUERPO BOMBA		16	* 4405010626	RODETE 1,5 HP II 50 HZ	
11	4405010613	PIE BOMBA		16	* 4405010627	RODETE 1,5 HP III 50 HZ	

CODIGO 15238, 15239, 15240, 15241, 15242, 15243, 15244, 15245, 15246, 15247, 15248

DESCRIPCION: BOMBA ASTRAL GLASS PLUS

12	* 4405010409	SILENT-BLOCK (16X45X13)	16	* 4405010628	RODETE 2 HP II 50 HZ
12	* 4405010410	SILENT-BLOCK (9X45X13)	16	* 4405010629	RODETE 2 HP III 50 HZ
13	4405010605	JUNTA TORICA	16	* 4405010630	RODETE 3 HP III 50 HZ
17	4405010619	JUNTA MECANICA	27	* 4405020122	CONDENSADOR 16 UF 1 CV
18	4405010606	JUNTA BRIDA MOTOR	27	* 4405010150	CONDENSADOR 18 UF 1,5 CV
19	* 4405010631	BRIDA MOTOR AGP 110 DOLL (71)	27	* 4405010174	CONDENSADOR 32 UF 2 CV
19	* 4405010632	BRIDA MOTOR AGP 125 DOLL (80)	28	* 4405010154	CJTO. CAJA BORNES C. 63-71 II
20	4405010634	TORNILLERIA BRIDA DIN-933 M6X30	28	* 4405010155	CJTO. CAJA BORNES (C 80-90) II (ANDIA)
21	* 4405010158	V-RINGS 0,5 HP - 1 HP	28	* 4405010156	CJTO. CAJA BORNES C.63-71 III
21	* 4405010159	V-RINGS 1,5 HP - 3 HP	28	* 4405010157	CJTO. CAJA BORNES C.80-90 III
22	* 4405010424	BRIDA MEC. C71 (1/2-3/4-1-1,25 HP)	29	* 15238R0300	MOTOR 1/2 HP II
22	* 4405010638	BRIDA MOTOR IEC 80 APG C. 80 (1 1/2-2-3 H	29	* 15239R0300	MOTOR 1/2 HP III
23	* 4405010135	RODAMIENTO MOTOR < 1 HP	29	* 15240R0300	MOTOR 3/4 CV II
23	* 4405010136	RODAMIENTO MOTOR 1,5 HP - 3 HP	29	* 15241R0300	MOTOR 3/4 CV III
24	* 4405010640	VARILLAS MOTOR 71	29	* 15242R0300	MOTOR 1 HP II
24	* 4405010641	VARILLAS MOTOR 80	29	* 15243R0300	MOTOR 1 HP III
25	* 4405010141	TAPA TRASERA MOTOR 3/4 A 1 HP	29	* 15244R0300	MOTOR 1,5 HP II
25	* 4405010142	TAPA TRASERA MOTOR 1,5 - 3 HP III	29	* 15245R0300	MOTOR 1,5 HP III
26	* 4405010147	CJTO. VENTILADOR-TAPA 0,75 - 1 HP	29	* 15246R0300	MOTOR 2 HP II
26	* 4405010148	CJTO. VENTILADOR-TAPA 1,5 - 2 - 3 HP III	29	* 15247R0300	MOTOR 2 HP III
27	* 4405020121	CONDENSADOR 14 UF 3/4 CV	29	* 15248R0300	MOTOR 3 HP III

CODIGO 15238, 15239, 15240, 15241, 15242, 15243, 15244, 15245, 15246, 15247, 15248

DESCRIPCION: BOMBA ASTRAL GLASS PLUS

OBSERVACIONES

POS	CODIGO	OBSERVACIONES
7	* 4405010717	PARA: 15248
8	* 4405010106	PARA: 15238, 15239, 15240, 15241, 15242, 15243
8	* 4405010107	PARA: 15244, 15245, 15246, 15247, 15248
12	* 4405010409	PARA: 15238, 15239, 15240, 15241, 15242, 15243
12	* 4405010410	PARA: 15244, 15245, 15246, 15247, 15248
14	* 4405010616	PARA: 15238, 15239, 15240, 15241
14	* 4405010617	PARA: 15242, 15243, 15244, 15245
14	* 4405010618	PARA: 15246, 15247, 15248
15	* 4405010633	PARA: 15239, 15241, 15243, 15245, 15247, 15248
16	* 4405010620	PARA: 15238
16	* 4405010621	PARA: 15239
16	* 4405010622	PARA: 15240
16	* 4405010623	PARA: 15241
16	* 4405010624	PARA: 15242
16	* 4405010625	PARA: 15243
16	* 4405010626	PARA: 15244
16	* 4405010627	PARA: 15245
16	* 4405010628	PARA: 15246
16	* 4405010629	PARA: 15247
16	* 4405010630	PARA: 15248
19	* 4405010631	PARA: 15238, 15239, 15240, 15241, 15242, 15243
19	* 4405010632	PARA: 15244, 15245, 15246, 15247, 15248
21	* 4405010158	PARA: 15238, 15239, 15240, 15241, 15242, 15243
21	* 4405010159	PARA: 15244, 15245, 15246, 15247, 15248
22	* 4405010424	PARA: 15238, 15239, 15240, 15241, 15242, 15243
22	* 4405010638	PARA: 15244, 15245, 15246, 15247, 15248
23	* 4405010135	PARA: 15238, 15239, 15240, 15241, 15242, 15243
23	* 4405010136	PARA: 15244, 15245, 15246, 15247, 15248
24	* 4405010640	PARA: 15238, 15239, 15240, 15241, 15242, 15243
24	* 4405010641	PARA: 15244, 15245, 15246, 15247, 15248
25	* 4405010141	PARA: 15238, 15239, 15240, 15241, 15242, 15243
25	* 4405010142	PARA: 15244, 15245, 15246, 15247, 15248
26	* 4405010147	PARA: 15238, 15239, 15240, 15241, 15242, 15243
26	* 4405010148	PARA: 15244, 15245, 15246, 15247, 15248
27	* 4405020121	PARA: 15238
27	* 4405020122	PARA: 15240
27	* 4405010150	PARA: 15242
27	* 4405010174	PARA: 15244, 15246
28	* 4405010154	PARA: 15238, 15240, 15242
28	* 4405010155	PARA: 15244, 15246
28	* 4405010156	PARA: 15239, 15241, 15243
28	* 4405010157	PARA: 15245, 15247, 15248
29	* 15238R0300	PARA: 15238

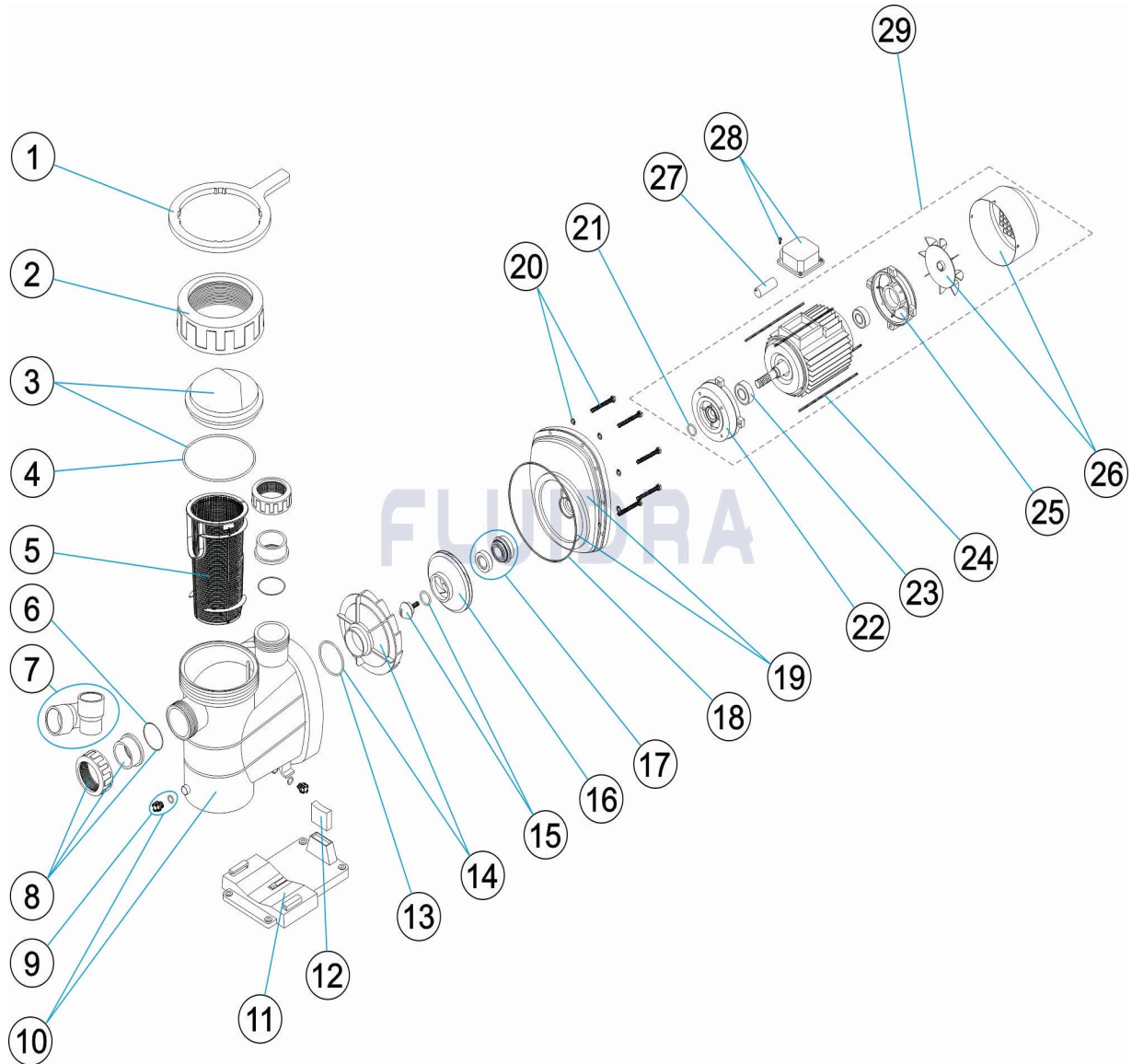
CODIGO **15238, 15239, 15240, 15241, 15242, 15243, 15244, 15245, 15246, 15247, 15248**

DESCRIPCION: BOMBA ASTRAL GLASS PLUS

29	* 15239R0300	PARA: 15239
29	* 15240R0300	PARA: 15240
29	* 15241R0300	PARA: 15241
29	* 15242R0300	PARA: 15242
29	* 15243R0300	PARA: 15243
29	* 15244R0300	PARA: 15244
29	* 15245R0300	PARA: 15245
29	* 15246R0300	PARA: 15246
29	* 15247R0300	PARA: 15247
29	* 15248R0300	PARA: 15248

CODE **15238, 15239, 15240, 15241, 15242, 15243, 15244, 15245, 15246, 15247, 15248**

DESCRIPTION: **POMPE ASTRAL GLASS PLUS**



FRANCAIS

POS	CODE	DESCRIPTION	QUANTITE	POS	CODE	DESCRIPTION	QUANTITE
1	4404130103	CLE ECROU DE FILTRE		14	* 4405010616	DIFFUSEUR 0,5 - 0,75 HP	
2	4404130101	ECROU COUVERCLE PREFILTRE		14	* 4405010617	DIFFUSEUR 1 - 1,5 HP	
3	4405012202	COUVERCLE PREFILTRE AVEC JOINT		14	* 4405010618	DIFFUSEUR 2 - 3 HP	
4	4405010178	JOINT TORIQUE D 151,7X6,99		15	* 4405010633	BOUCHON BOUT D'AXE ROTOR AGP	
5	4405010105	PANIER PRÉFILTRE		16	* 4405010620	TURBINE 0,5 HP II 50 HZ	
6	4405010179	JOINT PLAT 72X55X2,5		16	* 4405010621	TURBINE 0,5 HP III 50 HZ	
7	* 4405010717	RACCORDS UNION 3 HP		16	* 4405010622	TURBINE 0,75 HP II 50 HZ	
8	* 4405010106	RACCORDS UNION <= 1 HP		16	* 4405010623	TURBINE 0,75 HP III 50 HZ	
8	* 4405010107	RACCORDS UNION 1,5 HP - 2,5 HP		16	* 4405010624	TURBINE 1 HP II 50 HZ	
9	4405010110	BOUCHON DE PURGUE "		16	* 4405010625	TURBINE 1 HP III 50 HZ	
10	4405010611	CORPS POMPE		16	* 4405010626	TURBINE 1,5 HP II 50 HZ	
11	4405010613	SOCLE POMPE		16	* 4405010627	TURBINE 1,5 HP III 50 HZ	

*** VOIR FICHE D'OBSERVATIONS**

CODE **15238, 15239, 15240, 15241, 15242, 15243, 15244, 15245, 15246, 15247, 15248**

DESCRIPTION: **POMPE ASTRAL GLASS PLUS**

12	* 4405010409	SILENT-BLOCK (16X45X13)	16	* 4405010628	TURBINE 2 HP II 50 HZ
12	* 4405010410	SILENT-BLOCK (9X45X13)	16	* 4405010629	TURBINE 2 HP III 50 HZ
13	4405010605	JOINT TORIQUE	16	* 4405010630	TURBINE 3 HP III 50 HZ
17	4405010619	GARNITURE MÉCANIQUE	27	* 4405020122	CONDENSATEUR 16 UF 1 CV
18	4405010606	JOINT FLASQUE ACCOUP. MOTEUR	27	* 4405010150	CONDENSATEUR 18 UF
19	* 4405010631	FLASQUE ACCOUP. MOTEUR AGP 110 DOI	27	* 4405010174	CONDENSATEUR 32 ?F 2 CV
19	* 4405010632	FLASQUE ACCOUP. MOTEUR AGP 125 DOI	28	* 4405010154	ENSEMBLE BOITIER CONNEXION C. 63-71 I
20	4405010634	VISSERIE BRIDE DIN-933 M6X30	28	* 4405010155	ENSEMBLE BOITIER CONNEXION (C 80-90)
21	* 4405010158	V-RINGS 0,5 HP - 1 HP	28	* 4405010156	COUVERCLE BORNIER C 63-71 III
21	* 4405010159	V-RINGS 1,5 HP - 3 HP	28	* 4405010157	ENSEMBLE BOITIER CONNEXION C.80-90 II
22	* 4405010424	FLASQUE MEC. C71 (1/2-3/4-1-1,25 HP)	29	* 15238R0300	MOTEUR 1/2 HP II
22	* 4405010638	FLASQUE ACCOUP. MOTEUR IEC 80 APG (29	* 15239R0300	MOTEUR 1/2 HP III
23	* 4405010135	ROULEMENT MOTEUR < 1 HP	29	* 15240R0300	MOTEUR 3/4 CV II
23	* 4405010136	ROULEMENT MOTEUR 1,5 HP - 3 HP	29	* 15241R0300	MOTEUR 3/4 CV III
24	* 4405010640	TIRANTS D'ACCOUPEMENT MOTEUR 71	29	* 15242R0300	MOTEUR 1 HP II
24	* 4405010641	TIRANTS D'ACCOUPEMENT MOTEUR 80	29	* 15243R0300	MOTEUR 1 HP III
25	* 4405010141	COUVERCLE ARRIÈRE MOTEUR 3/4 A 1 HF	29	* 15244R0300	MOTEUR 1,5 HP II
25	* 4405010142	COUVERCLE ARRIÈRE MOTEUR 1,5 - 3 HP	29	* 15245R0300	MOTEUR 1,5 HP III
26	* 4405010147	ENSEMBLE COUVERCLE VENTILATEUR 0,	29	* 15246R0300	MOTEUR 2 HP II
26	* 4405010148	ENSEMBLE COUVERCLE VENTILATEUR 1,1	29	* 15247R0300	MOTEUR 2 HP III
27	* 4405020121	CONDENSATEUR 14 UF 3/4 CV	29	* 15248R0300	MOTEUR 3 HP III

CODE **15238, 15239, 15240, 15241, 15242, 15243, 15244, 15245, 15246, 15247, 15248**

DESCRIPTION: **POMPE ASTRAL GLASS PLUS**

OBSERVATIONS

POS	CODE	OBSERVATIONS
7	* 4405010717	POUR: 15248
8	* 4405010106	POUR: 15238, 15239, 15240, 15241, 15242, 15243
8	* 4405010107	POUR: 15244, 15245, 15246, 15247, 15248
12	* 4405010409	POUR: 15238, 15239, 15240, 15241, 15242, 15243
12	* 4405010410	POUR: 15244, 15245, 15246, 15247, 15248
14	* 4405010616	POUR: 15238, 15239, 15240, 15241
14	* 4405010617	POUR: 15242, 15243, 15244, 15245
14	* 4405010618	POUR: 15246, 15247, 15248
15	* 4405010633	POUR: 15239, 15241, 15243, 15245, 15247, 15248
16	* 4405010620	POUR: 15238
16	* 4405010621	POUR: 15239
16	* 4405010622	POUR: 15240
16	* 4405010623	POUR: 15241
16	* 4405010624	POUR: 15242
16	* 4405010625	POUR: 15243
16	* 4405010626	POUR: 15244
16	* 4405010627	POUR: 15245
16	* 4405010628	POUR: 15246
16	* 4405010629	POUR: 15247
16	* 4405010630	POUR: 15248
19	* 4405010631	POUR: 15238, 15239, 15240, 15241, 15242, 15243
19	* 4405010632	POUR: 15244, 15245, 15246, 15247, 15248
21	* 4405010158	POUR: 15238, 15239, 15240, 15241, 15242, 15243
21	* 4405010159	POUR: 15244, 15245, 15246, 15247, 15248
22	* 4405010424	POUR: 15238, 15239, 15240, 15241, 15242, 15243
22	* 4405010638	POUR: 15244, 15245, 15246, 15247, 15248
23	* 4405010135	POUR: 15238, 15239, 15240, 15241, 15242, 15243
23	* 4405010136	POUR: 15244, 15245, 15246, 15247, 15248
24	* 4405010640	POUR: 15238, 15239, 15240, 15241, 15242, 15243
24	* 4405010641	POUR: 15244, 15245, 15246, 15247, 15248
25	* 4405010141	POUR: 15238, 15239, 15240, 15241, 15242, 15243
25	* 4405010142	POUR: 15244, 15245, 15246, 15247, 15248
26	* 4405010147	POUR: 15238, 15239, 15240, 15241, 15242, 15243
26	* 4405010148	POUR: 15244, 15245, 15246, 15247, 15248
27	* 4405020121	POUR: 15238
27	* 4405020122	POUR: 15240
27	* 4405010150	POUR: 15242
27	* 4405010174	POUR: 15244, 15246
28	* 4405010154	POUR: 15238, 15240, 15242
28	* 4405010155	POUR: 15244, 15246
28	* 4405010156	POUR: 15239, 15241, 15243
28	* 4405010157	POUR: 15245, 15247, 15248
29	* 15238R0300	POUR: 15238

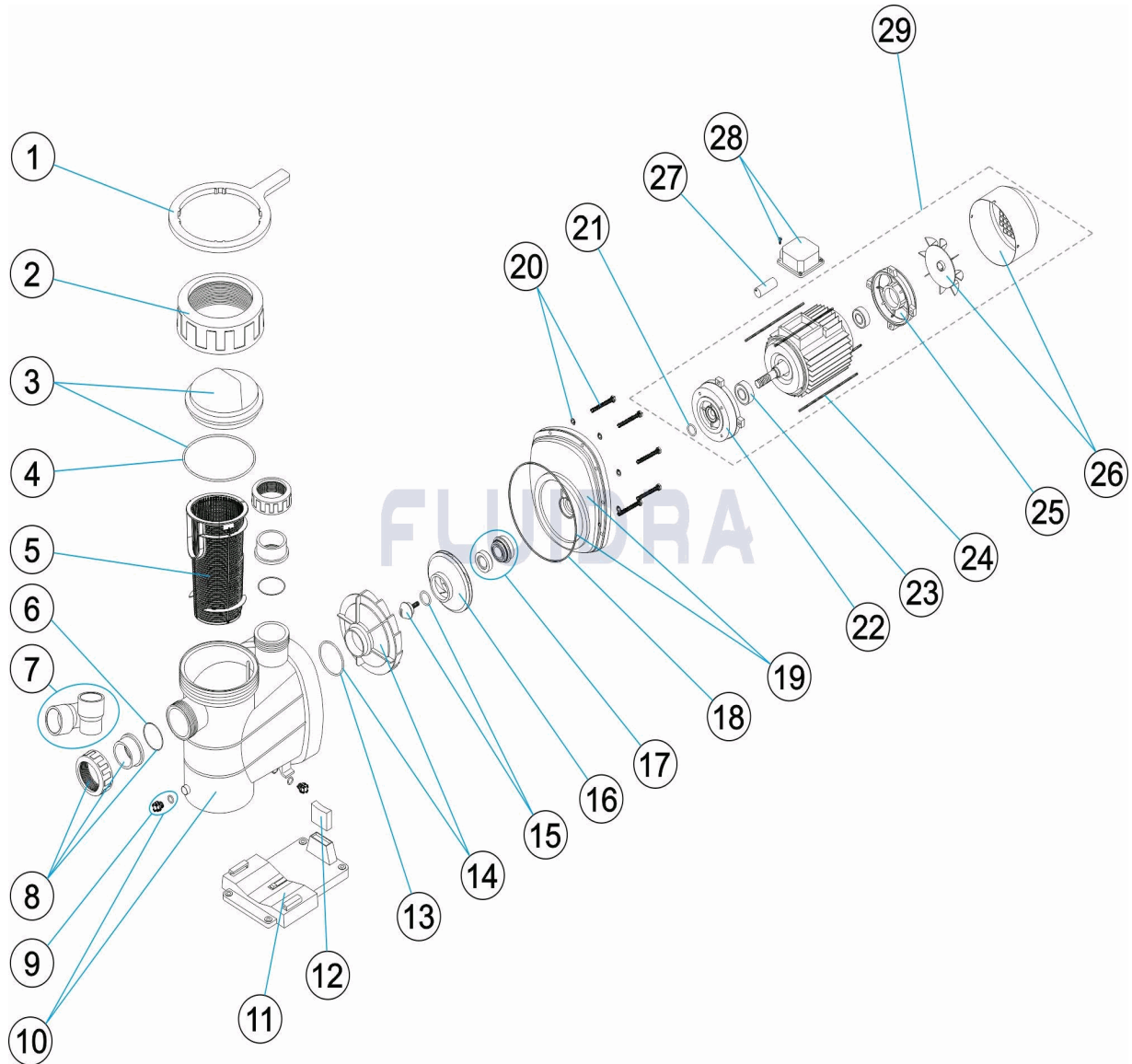
CODE **15238, 15239, 15240, 15241, 15242, 15243, 15244, 15245, 15246, 15247, 15248**

DESCRIPTION: **POMPE ASTRAL GLASS PLUS**

29	* 15239R0300	POUR: 15239
29	* 15240R0300	POUR: 15240
29	* 15241R0300	POUR: 15241
29	* 15242R0300	POUR: 15242
29	* 15243R0300	POUR: 15243
29	* 15244R0300	POUR: 15244
29	* 15245R0300	POUR: 15245
29	* 15246R0300	POUR: 15246
29	* 15247R0300	POUR: 15247
29	* 15248R0300	POUR: 15248

CODE **15238, 15239, 15240, 15241, 15242, 15243, 15244, 15245, 15246, 15247, 15248**

DESCRIPTION: **ASTRAL GLASS PLUS PUMP**



ENGLISH

POS	CODE	DESCRIPTION	QUANTITY	POS	CODE	DESCRIPTION	QUANTITY
1	4404130103	LID SPANNER		14	* 4405010616	DIFFUSOR 0,5 - 0,75 HP	
2	4404130101	PRE-FILTER COVER NUT		14	* 4405010617	DIFFUSOR 1 - 1,5 HP	
3	4405012202	PRE-FILTER COVER WITH GASKET		14	* 4405010618	DIFFUSOR 2 - 3 HP	
4	4405010178	O' RING D 151,7X6,99		15	* 4405010633	IMPELLER COVER AGP	
5	4405010105	PRE-FILTER BASKET		16	* 4405010620	IMPELLER 0,5 HP II 50 HZ	
6	4405010179	INLET GASKET 72X55X2,5		16	* 4405010621	IMPELLER 0,5 HP III 50 HZ	
7	* 4405010717	UNION FITTINGS 3 HP		16	* 4405010622	IMPELLER 0,75 HP II 50 HZ	
8	* 4405010106	UNION FITTINGS <= 1 HP		16	* 4405010623	IMPELLER 0,75 HP III 50 HZ	
8	* 4405010107	UNION FITTINGS 1,5 HP - 2,5 HP		16	* 4405010624	IMPELLER 1 HP II 50 HZ	
9	4405010110	DRAIN PLUG "		16	* 4405010625	IMPELLER 1 HP III 50 HZ	
10	4405010611	PUMP HOUSING		16	* 4405010626	IMPELLER 1,5 HP II 50 HZ	
11	4405010613	PUMP BASE		16	* 4405010627	IMPELLER 1,5 HP III 50 HZ	

CODE **15238, 15239, 15240, 15241, 15242, 15243, 15244, 15245, 15246, 15247, 15248**

DESCRIPTION: **ASTRAL GLASS PLUS PUMP**

12	* 4405010409	SILENTBLOCK (16X45X13)	16	* 4405010628	IMPELLER 2 HP II 50 HZ
12	* 4405010410	SILENTBLOCK (9X45X13)	16	* 4405010629	IMPELLER 2 HP III 50 HZ
13	4405010605	O' RING	16	* 4405010630	IMPELLER 3 HP III 50 HZ
17	4405010619	MECHANICAL SEAL	27	* 4405020122	CONDENSER 16 UF 1 CV
18	4405010606	MOTOR CLAMP GASKET	27	* 4405010150	CONDENSER 18 UF 1,5 CV
19	* 4405010631	MOTOR CLAMP AGP 110 DOLL (71)	27	* 4405010174	CONDENSER 32 ?F 2 CV
19	* 4405010632	MOTOR CLAMP AGP 125 DOLL (80)	28	* 4405010154	TERMINAL BOX ASSEMBLY C. 63-71 II
20	4405010634	FLANGE SCREWS DIN-933 M6X30	28	* 4405010155	TERMINAL BOX ASSEMBLY (C 80-90) II (ANT
21	* 4405010158	V-RINGS 0,5 HP - 1 HP	28	* 4405010156	TERMINAL BOX COVER C 63-71 III
21	* 4405010159	V-RINGS 1,5 HP - 3 HP	28	* 4405010157	TERMINAL BOX ASSEMBLY C. 80-90 III
22	* 4405010424	MECH. FLANGE C71 (1/2-3/4-1-1,25 HP)	29	* 15238R0300	MOTOR 1/2 HP II
22	* 4405010638	MOTOR CLAMP IEC 80 APG C 80 (1 1/2-2-3	29	* 15239R0300	MOTOR 1/2 HP III
23	* 4405010135	MOTOR BEARINGS < 1 HP	29	* 15240R0300	MOTOR 3/4 CV II
23	* 4405010136	MOTOR BEARINGS 1,5 HP - 3 HP	29	* 15241R0300	MOTOR 3/4 CV III
24	* 4405010640	MOTOR TIES 71	29	* 15242R0300	MOTOR 1 HP II
24	* 4405010641	MOTOR TIES 80	29	* 15243R0300	MOTOR 1 HP III
25	* 4405010141	REAR MOTOR COVER 3/4 A 1 HP	29	* 15244R0300	MOTOR 1,5 HP II
25	* 4405010142	REAR MOTOR COVER 1,5 - 3 HP III	29	* 15245R0300	MOTOR 1,5 HP III
26	* 4405010147	FAN COVER ASSEMBLY 0,75 - 1 HP	29	* 15246R0300	MOTOR 2 HP II
26	* 4405010148	FAN COVER ASSEMBLY 1,5 - 2 - 3 HP III	29	* 15247R0300	MOTOR 2 HP III
27	* 4405020121	CONDENSER 14 UF 3/4 CV	29	* 15248R0300	MOTOR 3 HP III

CODE **15238, 15239, 15240, 15241, 15242, 15243, 15244, 15245, 15246, 15247, 15248**

DESCRIPTION: **ASTRAL GLASS PLUS PUMP**

OBSERVATIONS

POS	CODE	OBSERVATIONS
7	* 4405010717	FOR: 15248
8	* 4405010106	FOR: 15238, 15239, 15240, 15241, 15242, 15243
8	* 4405010107	FOR: 15244, 15245, 15246, 15247, 15248
12	* 4405010409	FOR: 15238, 15239, 15240, 15241, 15242, 15243
12	* 4405010410	FOR: 15244, 15245, 15246, 15247, 15248
14	* 4405010616	FOR: 15238, 15239, 15240, 15241
14	* 4405010617	FOR: 15242, 15243, 15244, 15245
14	* 4405010618	FOR: 15246, 15247, 15248
15	* 4405010633	FOR: 15239, 15241, 15243, 15245, 15247, 15248
16	* 4405010620	FOR: 15238
16	* 4405010621	FOR: 15239
16	* 4405010622	FOR: 15240
16	* 4405010623	FOR: 15241
16	* 4405010624	FOR: 15242
16	* 4405010625	FOR: 15243
16	* 4405010626	FOR: 15244
16	* 4405010627	FOR: 15245
16	* 4405010628	FOR: 15246
16	* 4405010629	FOR: 15247
16	* 4405010630	FOR: 15248
19	* 4405010631	FOR: 15238, 15239, 15240, 15241, 15242, 15243
19	* 4405010632	FOR: 15244, 15245, 15246, 15247, 15248
21	* 4405010158	FOR: 15238, 15239, 15240, 15241, 15242, 15243
21	* 4405010159	FOR: 15244, 15245, 15246, 15247, 15248
22	* 4405010424	FOR: 15238, 15239, 15240, 15241, 15242, 15243
22	* 4405010638	FOR: 15244, 15245, 15246, 15247, 15248
23	* 4405010135	FOR: 15238, 15239, 15240, 15241, 15242, 15243
23	* 4405010136	FOR: 15244, 15245, 15246, 15247, 15248
24	* 4405010640	FOR: 15238, 15239, 15240, 15241, 15242, 15243
24	* 4405010641	FOR: 15244, 15245, 15246, 15247, 15248
25	* 4405010141	FOR: 15238, 15239, 15240, 15241, 15242, 15243
25	* 4405010142	FOR: 15244, 15245, 15246, 15247, 15248
26	* 4405010147	FOR: 15238, 15239, 15240, 15241, 15242, 15243
26	* 4405010148	FOR: 15244, 15245, 15246, 15247, 15248
27	* 4405020121	FOR: 15238
27	* 4405020122	FOR: 15240
27	* 4405010150	FOR: 15242
27	* 4405010174	FOR: 15244, 15246
28	* 4405010154	FOR: 15238, 15240, 15242
28	* 4405010155	FOR: 15244, 15246
28	* 4405010156	FOR: 15239, 15241, 15243
28	* 4405010157	FOR: 15245, 15247, 15248
29	* 15238R0300	FOR: 15238

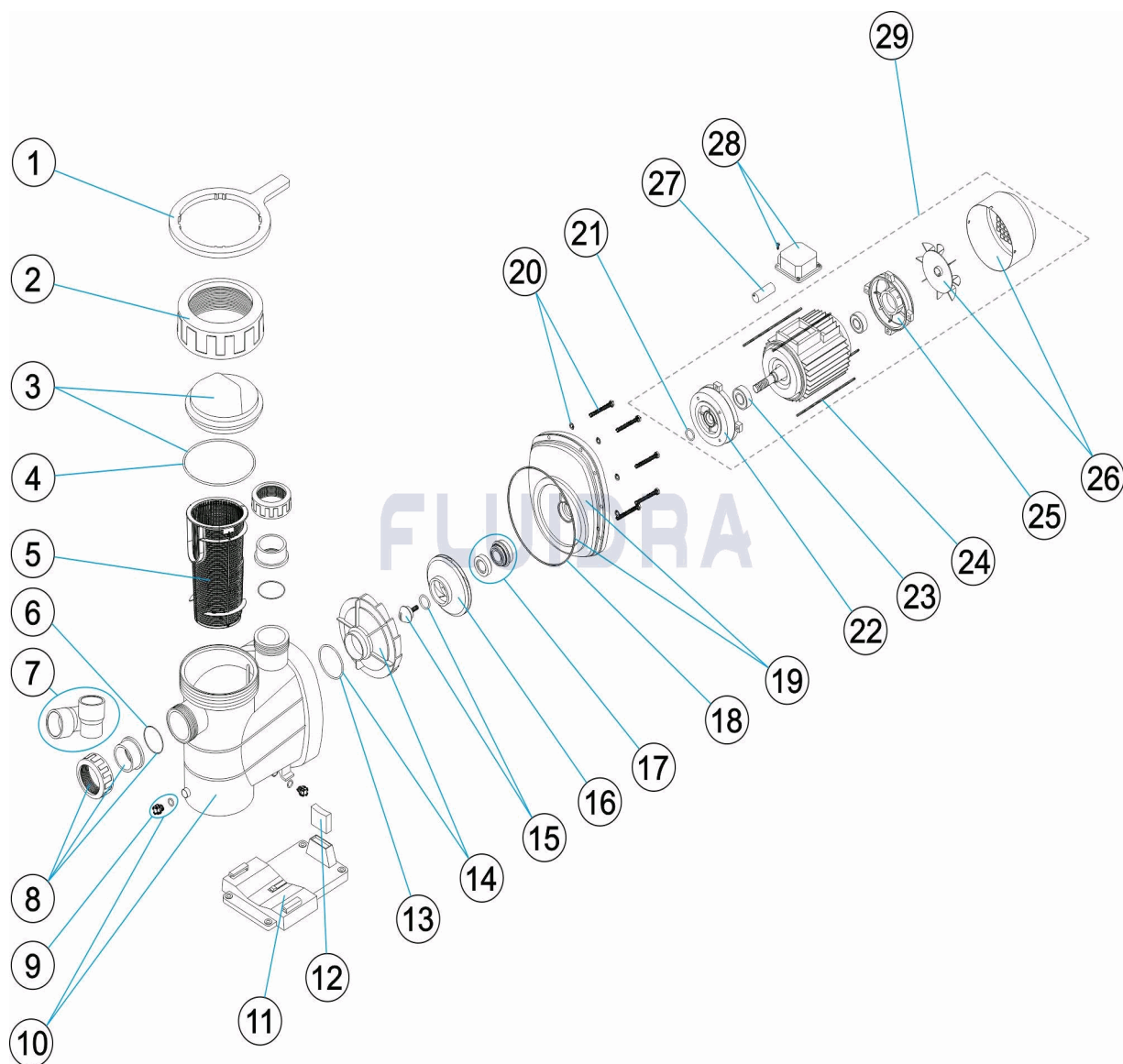
CODE **15238, 15239, 15240, 15241, 15242, 15243, 15244, 15245, 15246, 15247, 15248**

DESCRIPTION: **ASTRAL GLASS PLUS PUMP**

29	* 15239R0300	FOR: 15239
29	* 15240R0300	FOR: 15240
29	* 15241R0300	FOR: 15241
29	* 15242R0300	FOR: 15242
29	* 15243R0300	FOR: 15243
29	* 15244R0300	FOR: 15244
29	* 15245R0300	FOR: 15245
29	* 15246R0300	FOR: 15246
29	* 15247R0300	FOR: 15247
29	* 15248R0300	FOR: 15248

CODICE 15238, 15239, 15240, 15241, 15242, 15243, 15244, 15245, 15246, 15247, 15248

DESCRIZIONE: POMPA ASTRAL GLASS PLUS



ITALIANO

POS	CODICE	DESCRIZIONE	QUANTITA'	POS	CODICE	DESCRIZIONE	QUANTITA'
1	4404130103	CHIAVE GHIERA PER FILTRO		14	* 4405010616	DIFFUSORE 0,5 - 0,75 HP	
2	4404130101	VITE COPERCHIO PREFILTRO		14	* 4405010617	DIFFUSORE 1 - 1,5 HP	
3	4405012202	COPERCHIO PREFILTRO CON GUARNIZIONE		14	* 4405010618	DIFFUSORE 2 - 3 HP	
4	4405010178	O-RING D 151,7X6,99		15	* 4405010633	TAPPO RUOTA AGP	
5	4405010105	CESTO PREFILTRO		16	* 4405010620	RUOTA 0,5 HP II 50 HZ	
6	4405010179	GUERNICIONE PIANA 72X55X2,5		16	* 4405010621	RUOTA 0,5 HP III 50 HZ	
7	* 4405010717	MANICOTTI DI UNIONE 3 HP		16	* 4405010622	RUOTA 0,75 HP II 50 HZ	
8	* 4405010106	MANICOTTI DI UNIONE ≤ 1 HP		16	* 4405010623	RUOTA 0,75 HP III 50 HZ	
8	* 4405010107	MANICOTTI DI UNIONE 1,5 HP - 2,5 HP		16	* 4405010624	RUOTA 1 HP II 50 HZ	
9	4405010110	TAPPO SCARICO "		16	* 4405010625	RUOTA 1 HP III 50 HZ	
10	4405010611	CORPO POMBA		16	* 4405010626	RUOTA 1,5 HP II 50 HZ	
11	4405010613	PIEDE POMPA		16	* 4405010627	RUOTA 1,5 HP III 50 HZ	

*** SI FACCI RIFERIMENTO AL FOGLIO DELLE OSSERVAZIONI**

CODICE **15238, 15239, 15240, 15241, 15242, 15243, 15244, 15245, 15246, 15247, 15248**

DESCRIZIONE: POMPA ASTRAL GLASS PLUS

12	* 4405010409	SILENTBLOC (16X45X13)	16	* 4405010628	RUOTA 2 HP II 50 HZ
12	* 4405010410	SILENTBLOC (9X45X13)	16	* 4405010629	RUOTA 2 HP III 50 HZ
13	4405010605	O-RING	16	* 4405010630	RUOTA 3 HP III 50 HZ
17	4405010619	GUARNIZIONE MECCANICA	27	* 4405020122	CONDENSATORE 16 UF 1 CV
18	4405010606	GUARNIZIONE FLANGIA MOTORE	27	* 4405010150	CONDENSATORE 18 UF 1,5 CV
19	* 4405010631	FLANGIA MOTORE AGP 110 DOLL (71)	27	* 4405010174	CONDENSATORE 32 ?F 2 CV
19	* 4405010632	FLANGIA MOTORE AGP 125 DOLL (80)	28	* 4405010154	GRUPPO MORSETTIERA C. 63-71 II
20	4405010634	BULLONERIA FLANGIA DIN-933 M6X30	28	* 4405010155	GRUPPO MORSETTIERA (C 80-90) II (ANDIA)
21	* 4405010158	V-RINGS 0,5 HP - 1 HP	28	* 4405010156	COPERCHIO MORSETTIERA C 63-71 III
21	* 4405010159	V-RINGS 1,5 HP - 3 HP	28	* 4405010157	GRUPPO MORSETTIERA C.80-90 III
22	* 4405010424	FLANGIA MECC. C71 (1/2-3/4-1-1,25 HP)	29	* 15238R0300	MOTOR 1/2 HP II
22	* 4405010638	FLANGIA MOTORE IEC 80 APG C 80 (1 1/2-;	29	* 15239R0300	MOTOR 1/2 HP III
23	* 4405010135	CUSCINETTO MOTORE < 1 HP	29	* 15240R0300	MOTOR 3/4 CV II
23	* 4405010136	CUSCINETTO MOTORE 1,5 HP - 3 HP	29	* 15241R0300	MOTOR 3/4 CV III
24	* 4405010640	ASTAS MOTORE 70	29	* 15242R0300	MOTOR 1 HP III
24	* 4405010641	ASTAS MOTORE 81	29	* 15243R0300	MOTOR 1 HP III
25	* 4405010141	COPERCHIO POSTERIORE MOTORE 3/4 A	29	* 15244R0300	MOTOR 1,5 HP II
25	* 4405010142	COPERCHIO POSTERIORE MOTORE 1,5 - ;	29	* 15245R0300	MOTOR 1,5 HP III
26	* 4405010147	KIT VENTOLA-COPRIVENTOLA 0,75 - 1 HP	29	* 15246R0300	MOTOR 2 HP II
26	* 4405010148	KIT VENTOLA-COPRIVENTOLA 1,5 - 2 - 3 HI	29	* 15247R0300	MOTOR 2 HP III
27	* 4405020121	CONDENSATORE 14 UF 3/4 CV	29	* 15248R0300	MOTOR 3 HP III

CODICE **15238, 15239, 15240, 15241, 15242, 15243, 15244, 15245, 15246, 15247, 15248**

DESCRIZIONE: POMPA ASTRAL GLASS PLUS

OSSERVAZIONI

POS	CODICE	OSSERVAZIONI
7	* 4405010717	PER: 15248
8	* 4405010106	PER: 15238, 15239, 15240, 15241, 15242, 15243
8	* 4405010107	PER: 15244, 15245, 15246, 15247, 15248
12	* 4405010409	PER: 15238, 15239, 15240, 15241, 15242, 15243
12	* 4405010410	PER: 15244, 15245, 15246, 15247, 15248
14	* 4405010616	PER: 15238, 15239, 15240, 15241
14	* 4405010617	PER: 15242, 15243, 15244, 15245
14	* 4405010618	PER: 15246, 15247, 15248
15	* 4405010633	PER: 15239, 15241, 15243, 15245, 15247, 15248
16	* 4405010620	PER: 15238
16	* 4405010621	PER: 15239
16	* 4405010622	PER: 15240
16	* 4405010623	PER: 15241
16	* 4405010624	PER: 15242
16	* 4405010625	PER: 15243
16	* 4405010626	PER: 15244
16	* 4405010627	PER: 15245
16	* 4405010628	PER: 15246
16	* 4405010629	PER: 15247
16	* 4405010630	PER: 15248
19	* 4405010631	PER: 15238, 15239, 15240, 15241, 15242, 15243
19	* 4405010632	PER: 15244, 15245, 15246, 15247, 15248
21	* 4405010158	PER: 15238, 15239, 15240, 15241, 15242, 15243
21	* 4405010159	PER: 15244, 15245, 15246, 15247, 15248
22	* 4405010424	PER: 15238, 15239, 15240, 15241, 15242, 15243
22	* 4405010638	PER: 15244, 15245, 15246, 15247, 15248
23	* 4405010135	PER: 15238, 15239, 15240, 15241, 15242, 15243
23	* 4405010136	PER: 15244, 15245, 15246, 15247, 15248
24	* 4405010640	PER: 15238, 15239, 15240, 15241, 15242, 15243
24	* 4405010641	PER: 15244, 15245, 15246, 15247, 15248
25	* 4405010141	PER: 15238, 15239, 15240, 15241, 15242, 15243
25	* 4405010142	PER: 15244, 15245, 15246, 15247, 15248
26	* 4405010147	PER: 15238, 15239, 15240, 15241, 15242, 15243
26	* 4405010148	PER: 15244, 15245, 15246, 15247, 15248
27	* 4405020121	PER: 15238
27	* 4405020122	PER: 15240
27	* 4405010150	PER: 15242
27	* 4405010174	PER: 15244, 15246
28	* 4405010154	PER: 15238, 15240, 15242
28	* 4405010155	PER: 15244, 15246
28	* 4405010156	PER: 15239, 15241, 15243
28	* 4405010157	PER: 15245, 15247, 15248
29	* 15238R0300	PER: 15238

*** SI FACCIÀ RIFERIMENTO AL FOGLIO DELLE OSSERVAZIONI**

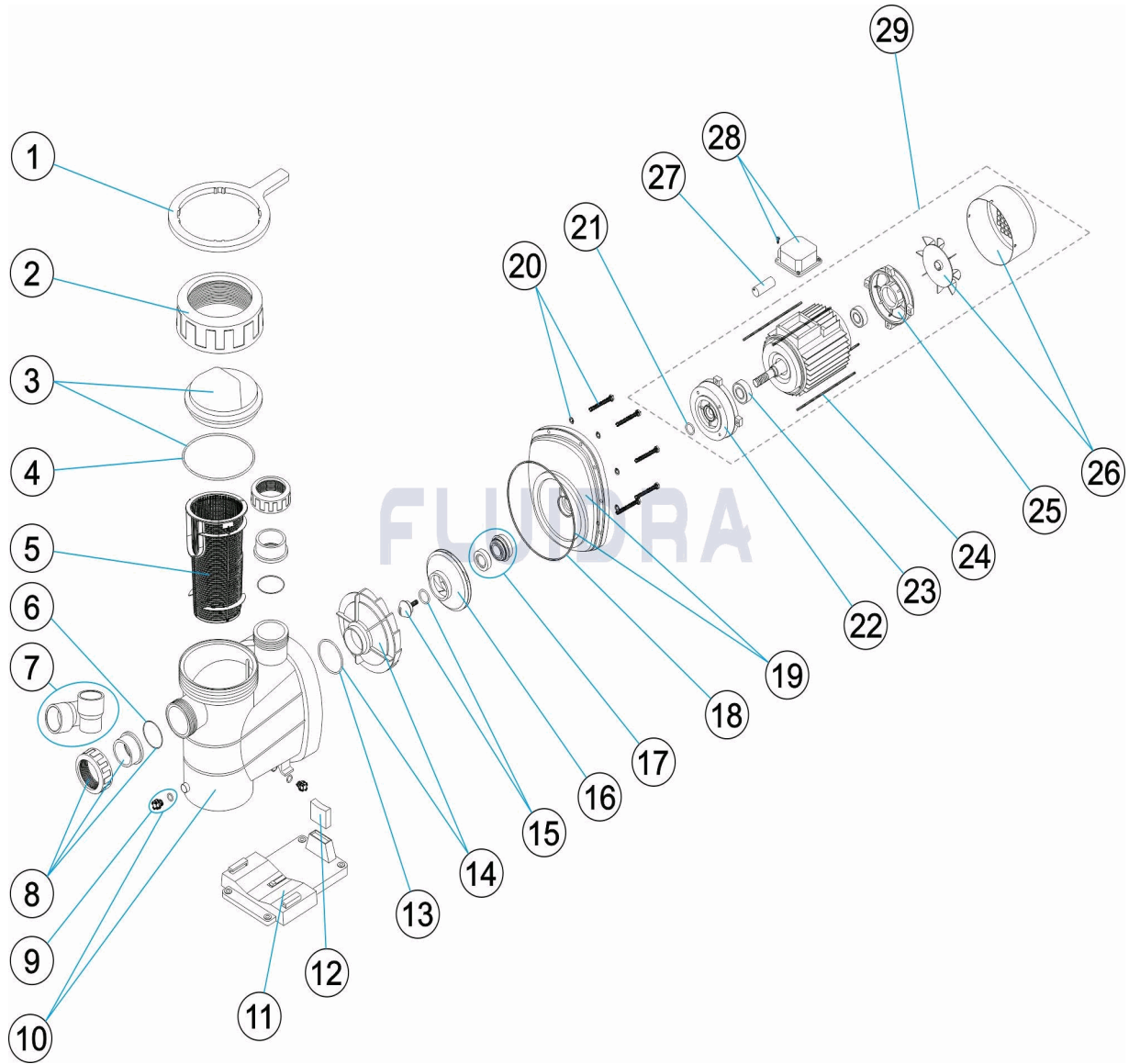
CODICE **15238, 15239, 15240, 15241, 15242, 15243, 15244, 15245, 15246, 15247, 15248**

DESCRIZIONE: POMPA ASTRAL GLASS PLUS

29	* 15239R0300	PER: 15239
29	* 15240R0300	PER: 15240
29	* 15241R0300	PER: 15241
29	* 15242R0300	PER: 15242
29	* 15243R0300	PER: 15243
29	* 15244R0300	PER: 15244
29	* 15245R0300	PER: 15245
29	* 15246R0300	PER: 15246
29	* 15247R0300	PER: 15247
29	* 15248R0300	PER: 15248

CODE **15238, 15239, 15240, 15241, 15242, 15243, 15244, 15245, 15246, 15247, 15248**

BESCHREIBUNG: **PUMPE ASTRAL GLASS PLUS**



DEUTSCH

POS	CODE	BESCHREIBUNG	MENGE	POS	CODE	BESCHREIBUNG	MENGE
1	4404130103	SCHLÜSSEL MUTTER FILTER		14	* 4405010616	WASSERVERTEILER 0,5 - 0,75 HP	
2	4404130101	MUTTER VORFILTERDECKEL		14	* 4405010617	WASSERVERTEILER 1 - 1,5 HP	
3	4405012202	VORFILTERABDECKUNG UND DICHTUNG		14	* 4405010618	WASSERVERTEILER 2 - 3 HP	
4	4405010178	O-RING D. 151,7 X 6,99		15	* 4405010633	STOPFEN LAUFRAD AGP	
5	4405010105	VORFILTERKORB		16	* 4405010620	LAUFRAD 0,5 HP II 50 HZ	
6	4405010179	FLACHDICHTUNG 72 X 55 X 2,5		16	* 4405010621	LAUFRAD 0,5 HP III 50 HZ	
7	* 4405010717	ANSCHLUSSZUBEHÖR 3 HP		16	* 4405010622	LAUFRAD 0,75 HP II 50 HZ	
8	* 4405010106	ANSCHLUSSZUBEHÖR <= 1 HP		16	* 4405010623	LAUFRAD 0,75 HP III 50 HZ	
8	* 4405010107	ANSCHLUSSZUBEHÖR 1,5 HP - 2,5 HP		16	* 4405010624	LAUFRAD 1 HP II 50 HZ	
9	4405010110	ABLASSSTOPFEN "		16	* 4405010625	LAUFRAD 1 HP III 50 HZ	
10	4405010611	PUMPENGEHÄUSE		16	* 4405010626	LAUFRAD 1,5 HP II 50 HZ	
11	4405010613	PUMPENFUSS		16	* 4405010627	LAUFRAD 1,5 HP III 50 HZ	

CODE **15238, 15239, 15240, 15241, 15242, 15243, 15244, 15245, 15246, 15247, 15248**

BESCHREIBUNG: **PUMPE ASTRAL GLASS PLUS**

12	* 4405010409	SCHWINGUNGSDÄMPFER (16 X 45 X 13)	16	* 4405010628	LAUFRAD 2 HP II 50 HZ
12	* 4405010410	SCHWINGUNGSDÄMPFER (9 X 45 X 13)	16	* 4405010629	LAUFRAD 2 HP III 50 HZ
13	4405010605	O-RING	16	* 4405010630	LAUFRAD 3 HP III 50 HZ
17	4405010619	GLEITRINGDICHTUNG	27	* 4405020122	KONDENSATOR 16 UF 1 CV
18	4405010606	DICHTUNG MOTORFLANSCH	27	* 4405010150	KONDENSATOR 18 UF 1,5 CV
19	* 4405010631	MOTORFLANSCH AGP 110 DOLL (71)	27	* 4405010174	KONDENSATOR 32 UF 2 CV
19	* 4405010632	MOTORFLANSCH AGP 125 DOLL (80)	28	* 4405010154	SET KLEMMSCHRANK C. 63 - 71 II
20	4405010634	SCHRAUBENSATZ FLANSCH DIN-933 M6 X	28	* 4405010155	SET KLEMMSCHRANK (C 80 - 90) II (ANDIA)
21	* 4405010158	DICHTUNGSRINGE 0,5 HP - 1 HP	28	* 4405010156	SET KLEMMSCHRANK C.63 - 71 III
21	* 4405010159	DICHTUNGSRINGE 1,5 HP - 3 HP	28	* 4405010157	SET KLEMMSCHRANK C.80 - 90 III
22	* 4405010424	GLEITRINGDICHTUNG C71 (1/2 - 3/4 - 1 - 1,;	29	* 15238R0300	MOTOR 1/2 HP II
22	* 4405010638	MOTORFLANSCH IEC 80 APG C. 80 (1 1/2 -	29	* 15239R0300	MOTOR 1/2 HP III
23	* 4405010135	WÄLZLAGER MOTOR < 1 HP	29	* 15240R0300	MOTOR 3/4 CV II
23	* 4405010136	WÄLZLAGER MOTOR 1,5 HP - 3 HP	29	* 15241R0300	MOTOR 3/4 CV III
24	* 4405010640	RUNDEISEN MOTOR 71	29	* 15242R0300	MOTOR 1 HP II
24	* 4405010641	RUNDEISEN MOTOR 80	29	* 15243R0300	MOTOR 1 HP III
25	* 4405010141	MOTORDECKEL HINTEN 3/4 - 1 HP	29	* 15244R0300	MOTOR 1,5 HP II
25	* 4405010142	MOTORDECKEL HINTEN 1,5 - 3 HP III	29	* 15245R0300	MOTOR 1,5 HP III
26	* 4405010147	SET VENTILATOR - ABDECKUNG 0,75 - 1 H	29	* 15246R0300	MOTOR 2 HP II
26	* 4405010148	SET VENTILATOR - ABDECKUNG 1,5 - 2 - 3	29	* 15247R0300	MOTOR 2 HP III
27	* 4405020121	KONDENSATOR 14 UF 3/4 CV	29	* 15248R0300	MOTOR 3 HP III

CODE **15238, 15239, 15240, 15241, 15242, 15243, 15244, 15245, 15246, 15247, 15248**

BESCHREIBUNG: **PUMPE ASTRAL GLASS PLUS**

HINWEISE

POS	CODE	HINWEISE
7	* 4405010717	FÜR: 15248
8	* 4405010106	FÜR: 15238, 15239, 15240, 15241, 15242, 15243
8	* 4405010107	FÜR: 15244, 15245, 15246, 15247, 15248
12	* 4405010409	FÜR: 15238, 15239, 15240, 15241, 15242, 15243
12	* 4405010410	FÜR: 15244, 15245, 15246, 15247, 15248
14	* 4405010616	FÜR: 15238, 15239, 15240, 15241
14	* 4405010617	FÜR: 15242, 15243, 15244, 15245
14	* 4405010618	FÜR: 15246, 15247, 15248
15	* 4405010633	FÜR: 15239, 15241, 15243, 15245, 15247, 15248
16	* 4405010620	FÜR: 15238
16	* 4405010621	FÜR: 15239
16	* 4405010622	FÜR: 15240
16	* 4405010623	FÜR: 15241
16	* 4405010624	FÜR: 15242
16	* 4405010625	FÜR: 15243
16	* 4405010626	FÜR: 15244
16	* 4405010627	FÜR: 15245
16	* 4405010628	FÜR: 15246
16	* 4405010629	FÜR: 15247
16	* 4405010630	FÜR: 15248
19	* 4405010631	FÜR: 15238, 15239, 15240, 15241, 15242, 15243
19	* 4405010632	FÜR: 15244, 15245, 15246, 15247, 15248
21	* 4405010158	FÜR: 15238, 15239, 15240, 15241, 15242, 15243
21	* 4405010159	FÜR: 15244, 15245, 15246, 15247, 15248
22	* 4405010424	FÜR: 15238, 15239, 15240, 15241, 15242, 15243
22	* 4405010638	FÜR: 15244, 15245, 15246, 15247, 15248
23	* 4405010135	FÜR: 15238, 15239, 15240, 15241, 15242, 15243
23	* 4405010136	FÜR: 15244, 15245, 15246, 15247, 15248
24	* 4405010640	FÜR: 15238, 15239, 15240, 15241, 15242, 15243
24	* 4405010641	FÜR: 15244, 15245, 15246, 15247, 15248
25	* 4405010141	FÜR: 15238, 15239, 15240, 15241, 15242, 15243
25	* 4405010142	FÜR: 15244, 15245, 15246, 15247, 15248
26	* 4405010147	FÜR: 15238, 15239, 15240, 15241, 15242, 15243
26	* 4405010148	FÜR: 15244, 15245, 15246, 15247, 15248
27	* 4405020121	FÜR: 15238
27	* 4405020122	FÜR: 15240
27	* 4405010150	FÜR: 15242
27	* 4405010174	FÜR: 15244, 15246
28	* 4405010154	FÜR: 15238, 15240, 15242
28	* 4405010155	FÜR: 15244, 15246
28	* 4405010156	FÜR: 15239, 15241, 15243
28	* 4405010157	FÜR: 15245, 15247, 15248
29	* 15238R0300	FÜR: 15238

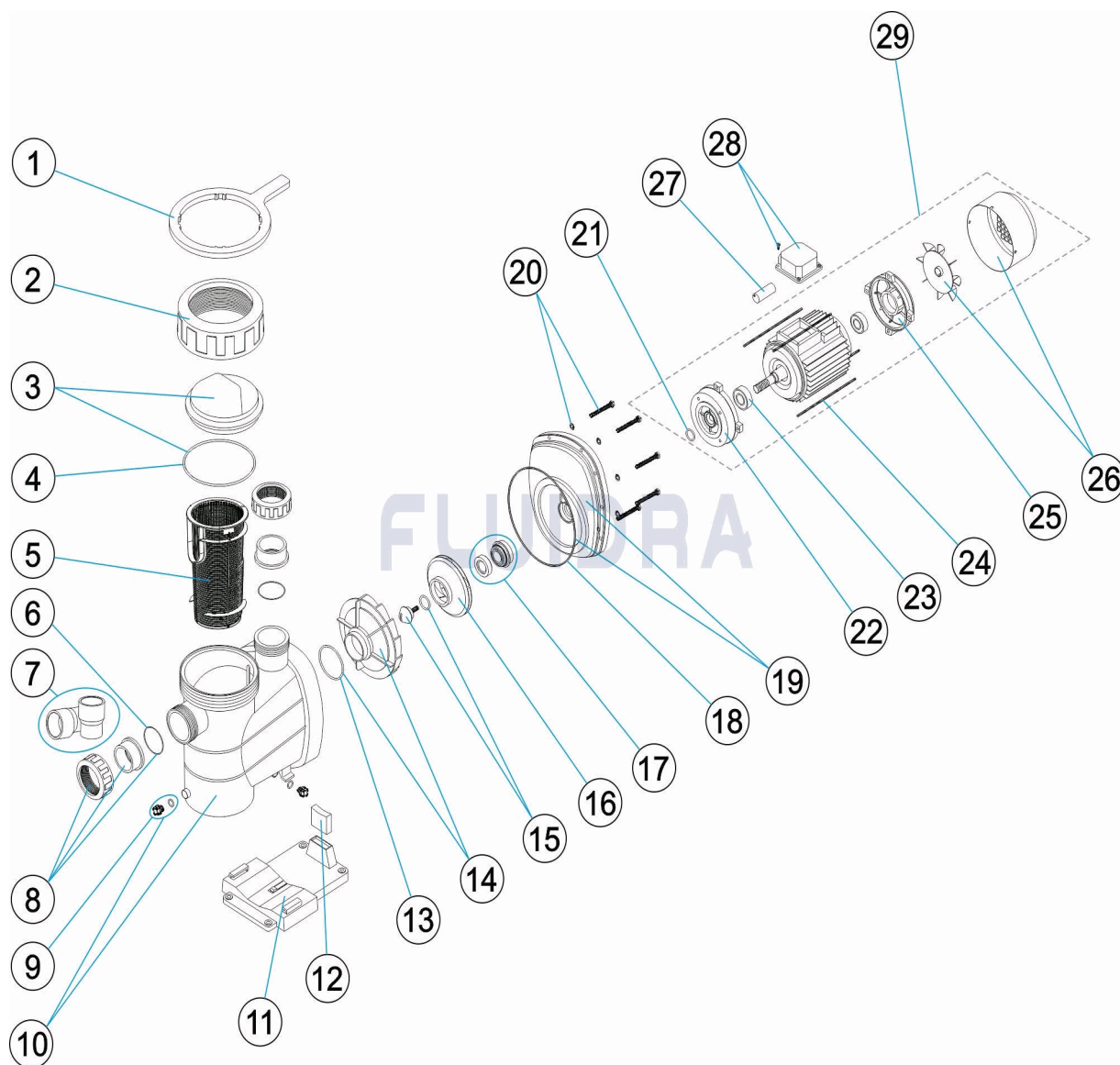
CODE **15238, 15239, 15240, 15241, 15242, 15243, 15244, 15245, 15246, 15247, 15248**

BESCHREIBUNG: **PUMPE ASTRAL GLASS PLUS**

29	* 15239R0300	FÜR: 15239
29	* 15240R0300	FÜR: 15240
29	* 15241R0300	FÜR: 15241
29	* 15242R0300	FÜR: 15242
29	* 15243R0300	FÜR: 15243
29	* 15244R0300	FÜR: 15244
29	* 15245R0300	FÜR: 15245
29	* 15246R0300	FÜR: 15246
29	* 15247R0300	FÜR: 15247
29	* 15248R0300	FÜR: 15248

CODIGO 15238, 15239, 15240, 15241, 15242, 15243, 15244, 15245, 15246, 15247, 15248

DESCRIÇÃO: BOMBA ASTRAL GLASS PLUS



PORTUGUES

POS	CODIGO	DESCRIÇÃO	JANTIDADE	POS	CODIGO	DESCRIÇÃO	JANTIDADE
1	4404130103	CHAVE PORCA FILTRO		14	* 4405010616	DIFUSOR 0,5 - 0,75 HP	
2	4404130101	PORCA TAMPA PRÉ-FILTRO		14	* 4405010617	DIFUSOR 1 - 1,5 HP	
3	4405012202	TAMPA PRÉ-FILTRO COM JUNTA		14	* 4405010618	DIFUSOR 2 - 3 HP	
4	4405010178	JUNTA TÓRICA D 151,7X6,99		15	* 4405010633	TAMPO RODÍZIO AGP	
5	4405010105	CESTO PRÉ-FILTRO		16	* 4405010620	RODÍZIO 0,5 HP II 50 HZ	
6	4405010179	JUNTA PLANA 72X55X2,5		16	* 4405010621	RODÍZIO 0,5 HP III 50 HZ	
7	* 4405010717	ACESSÓRIOS DE UNIÃO 3 HP		16	* 4405010622	RODÍZIO 0,75 HP II 50 HZ	
8	* 4405010106	ACESSÓRIOS DE UNIÃO <= 1 HP		16	* 4405010623	RODÍZIO 0,75 HP III 50 HZ	
8	* 4405010107	ACESSÓRIOS DE UNIÃO 1,5 HP - 2,5 HP		16	* 4405010624	RODÍZIO 1 HP II 50 HZ	
9	4405010110	TAMPÃO PURGA "		16	* 4405010625	RODÍZIO 1 HP III 50 HZ	
10	4405010611	CORPO BOMBA		16	* 4405010626	RODÍZIO 1,5 HP II 50 HZ	
11	4405010613	PÉ BOMBA		16	* 4405010627	RODÍZIO 1,5 HP III 50 HZ	

*** VEJA A FICHA DE OBSERVAÇÕES**

CODIGO **15238, 15239, 15240, 15241, 15242, 15243, 15244, 15245, 15246, 15247, 15248**

DESCRIÇÃO: BOMBA ASTRAL GLASS PLUS

12	* 4405010409	SILENT-BLOCK (16X45X13)	16	* 4405010628	RODÍZIO 2 HP II 50 HZ
12	* 4405010410	SILENT-BLOCK (9X45X13)	16	* 4405010629	RODÍZIO 2 HP III 50 HZ
13	4405010605	JUNTA TÓRICA	16	* 4405010630	RODÍZIO 3 HP III 50 HZ
17	4405010619	JUNTA MECÂNICA	27	* 4405020122	CONDENSADOR 16 UF 1 CV
18	4405010606	JUNTA MANILHA MOTOR	27	* 4405010150	CONDENSADOR 18 UF 1,5 CV
19	* 4405010631	MANILHA MOTOR AGP 110 DOLL (71)	27	* 4405010174	CONDENSADOR 32 UF 2 CV
19	* 4405010632	MANILHA MOTOR AGP 125 DOLL (80)	28	* 4405010154	CONJUNTO CAIXA LIGAÇÕES C. 63-71 II
20	4405010634	PARAFUSOS DA FLANGE DIN-933 M6X30	28	* 4405010155	CONJUNTO CAIXA LIGAÇÕES 2-2,5-3 HP (A
21	* 4405010158	V-RINGS 0,5 HP - 1 HP	28	* 4405010156	TAMPA CAIXA BORNES C 63-71 III
21	* 4405010159	V-RINGS 1,5 HP - 3 HP	28	* 4405010157	CONJUNTO CAIXA LIGAÇÕES C.80-90 III
22	* 4405010424	FLANGE MEC. C71 (1/2-3/4-1-1,25 HP)	29	* 15238R0300	MOTOR 1/2 HP II
22	* 4405010638	FLANGE MOTOR IEC 80 APG C 80 (1 1/2-2-;	29	* 15239R0300	MOTOR 1/2 HP III
23	* 4405010135	ROLAMENTO MOTOR < 1 HP	29	* 15240R0300	MOTOR 3/4 CV II
23	* 4405010136	ROLAMENTO MOTOR 1,5 HP - 3 HP	29	* 15241R0300	MOTOR 3/4 CV III
24	* 4405010640	VARETAS MOTOR 70	29	* 15242R0300	MOTOR 1 HP II
24	* 4405010641	VARETAS MOTOR 81	29	* 15243R0300	MOTOR 1 HP III
25	* 4405010141	TAMPA TRASEIRA MOTOR 3/4 A 1 HP	29	* 15244R0300	MOTOR 1,5 HP II
25	* 4405010142	TAMPA TRASEIRA MOTOR 1,5 - 3 HP III	29	* 15245R0300	MOTOR 1,5 HP III
26	* 4405010147	CONJUNTO VENTILADOR-TAMPA 0,75 - 1	29	* 15246R0300	MOTOR 2 HP II
26	* 4405010148	CONJUNTO VENTILADOR-TAMPA 1,5 - 2 -	29	* 15247R0300	MOTOR 2 HP III
27	* 4405020121	CONDENSADOR 14 UF 3/4 CV	29	* 15248R0300	MOTOR 3 HP III

CODIGO 15238, 15239, 15240, 15241, 15242, 15243, 15244, 15245, 15246, 15247, 15248

DESCRIÇÃO: BOMBA ASTRAL GLASS PLUS

OBSERVAÇÕES

POS	CODIGO	OBSERVAÇÕES
7	* 4405010717	PARA: 15248
8	* 4405010106	PARA: 15238, 15239, 15240, 15241, 15242, 15243
8	* 4405010107	PARA: 15244, 15245, 15246, 15247, 15248
12	* 4405010409	PARA: 15238, 15239, 15240, 15241, 15242, 15243
12	* 4405010410	PARA: 15244, 15245, 15246, 15247, 15248
14	* 4405010616	PARA: 15238, 15239, 15240, 15241
14	* 4405010617	PARA: 15242, 15243, 15244, 15245
14	* 4405010618	PARA: 15246, 15247, 15248
15	* 4405010633	PARA: 15239, 15241, 15243, 15245, 15247, 15248
16	* 4405010620	PARA: 15238
16	* 4405010621	PARA: 15239
16	* 4405010622	PARA: 15240
16	* 4405010623	PARA: 15241
16	* 4405010624	PARA: 15242
16	* 4405010625	PARA: 15243
16	* 4405010626	PARA: 15244
16	* 4405010627	PARA: 15245
16	* 4405010628	PARA: 15246
16	* 4405010629	PARA: 15247
16	* 4405010630	PARA: 15248
19	* 4405010631	PARA: 15238, 15239, 15240, 15241, 15242, 15243
19	* 4405010632	PARA: 15244, 15245, 15246, 15247, 15248
21	* 4405010158	PARA: 15238, 15239, 15240, 15241, 15242, 15243
21	* 4405010159	PARA: 15244, 15245, 15246, 15247, 15248
22	* 4405010424	PARA: 15238, 15239, 15240, 15241, 15242, 15243
22	* 4405010638	PARA: 15244, 15245, 15246, 15247, 15248
23	* 4405010135	PARA: 15238, 15239, 15240, 15241, 15242, 15243
23	* 4405010136	PARA: 15244, 15245, 15246, 15247, 15248
24	* 4405010640	PARA: 15238, 15239, 15240, 15241, 15242, 15243
24	* 4405010641	PARA: 15244, 15245, 15246, 15247, 15248
25	* 4405010141	PARA: 15238, 15239, 15240, 15241, 15242, 15243
25	* 4405010142	PARA: 15244, 15245, 15246, 15247, 15248
26	* 4405010147	PARA: 15238, 15239, 15240, 15241, 15242, 15243
26	* 4405010148	PARA: 15244, 15245, 15246, 15247, 15248
27	* 4405020121	PARA: 15238
27	* 4405020122	PARA: 15240
27	* 4405010150	PARA: 15242
27	* 4405010174	PARA: 15244, 15246
28	* 4405010154	PARA: 15238, 15240, 15242
28	* 4405010155	PARA: 15244, 15246
28	* 4405010156	PARA: 15239, 15241, 15243
28	* 4405010157	PARA: 15245, 15247, 15248
29	* 15238R0300	PARA: 15238

CODIGO **15238, 15239, 15240, 15241, 15242, 15243, 15244, 15245, 15246, 15247, 15248**

DESCRIÇÃO: BOMBA ASTRAL GLASS PLUS

29	* 15239R0300	PARA: 15239
29	* 15240R0300	PARA: 15240
29	* 15241R0300	PARA: 15241
29	* 15242R0300	PARA: 15242
29	* 15243R0300	PARA: 15243
29	* 15244R0300	PARA: 15244
29	* 15245R0300	PARA: 15245
29	* 15246R0300	PARA: 15246
29	* 15247R0300	PARA: 15247
29	* 15248R0300	PARA: 15248