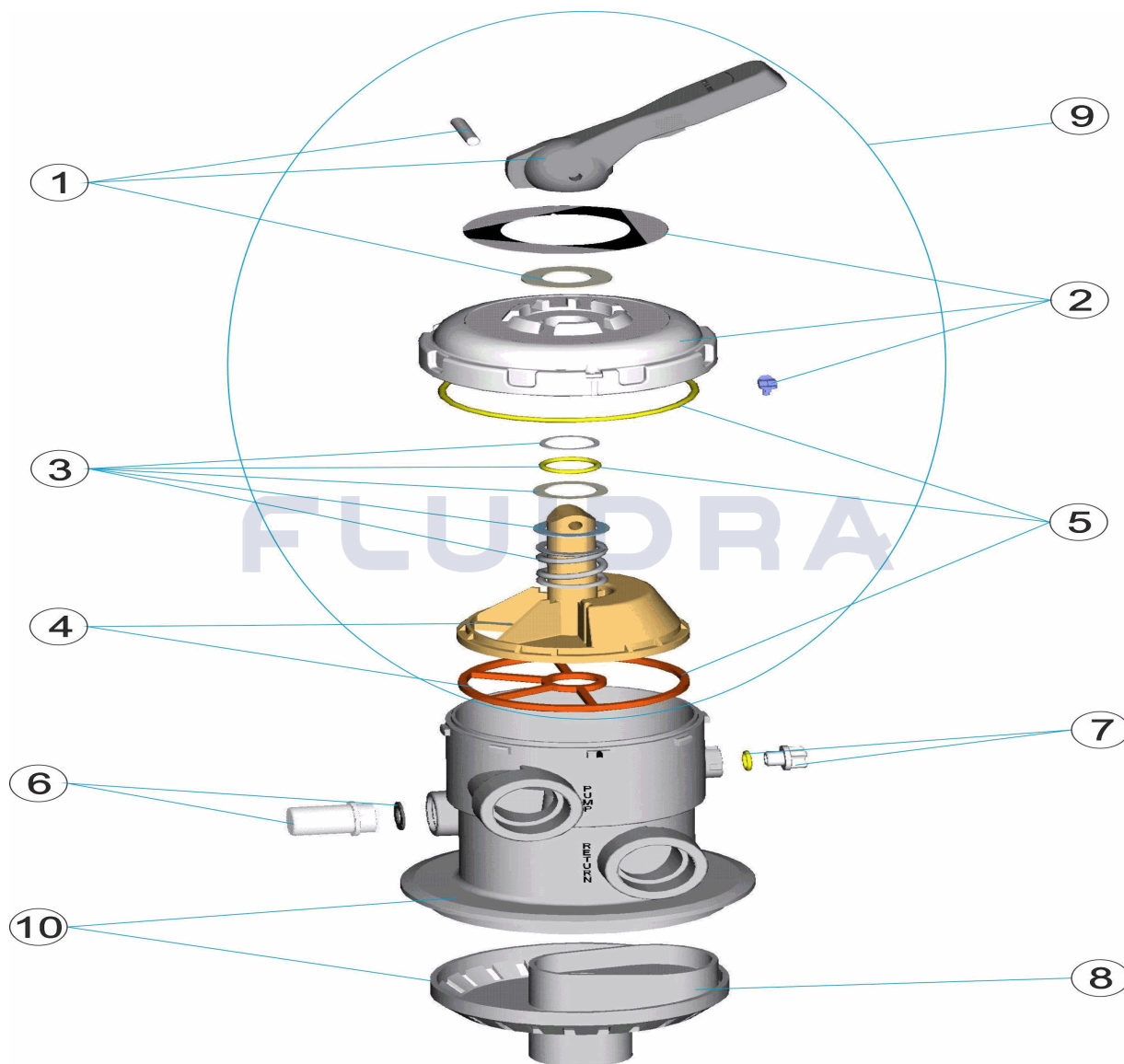


CODIGO **20565**

DESCRIPCION: VALVULA SELECTORA 1 1/2" TO "

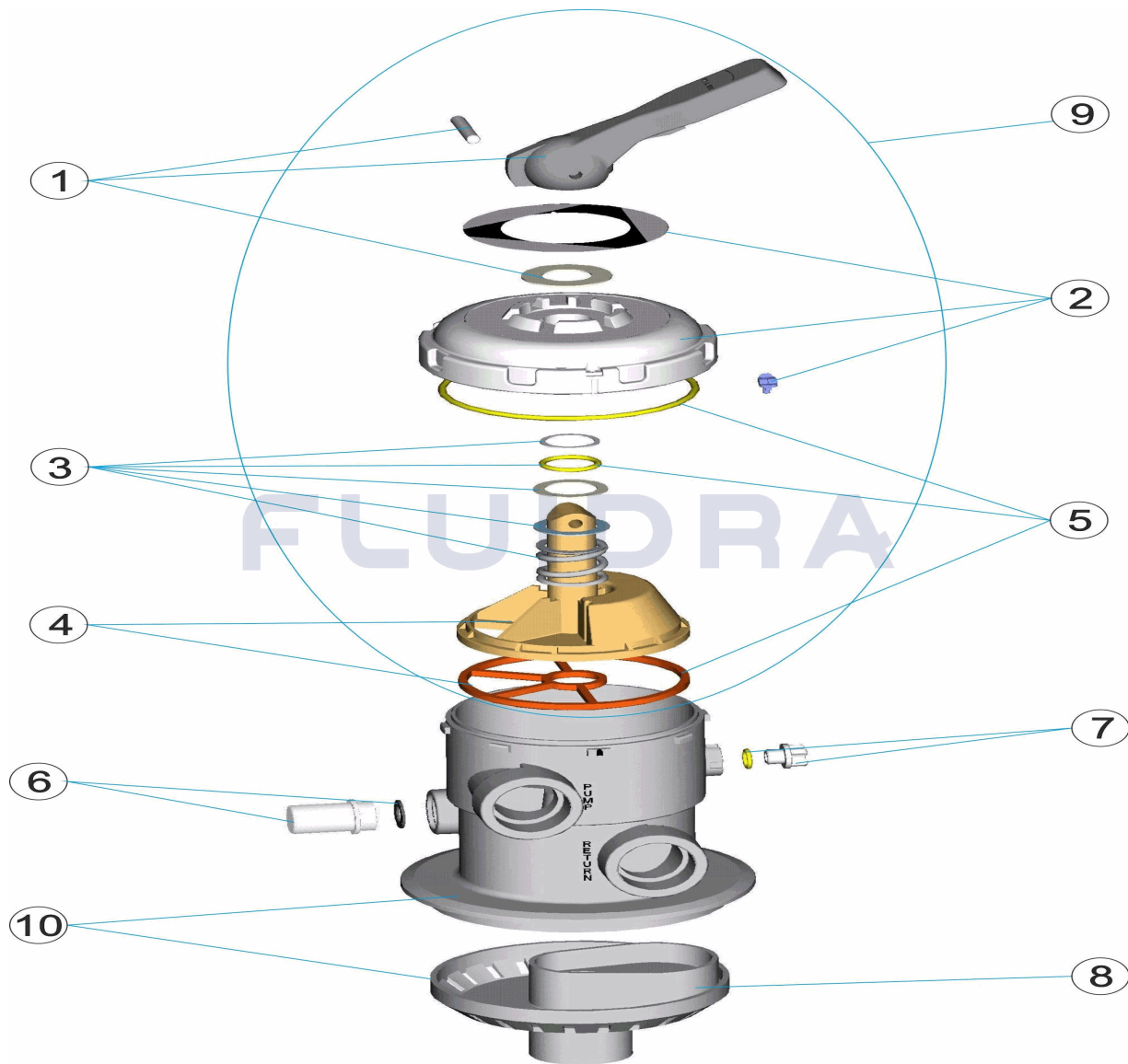


ESPAÑOL

POS	CODIGO	DESCRIPCION	CANTIDAD	POS	CODIGO	DESCRIPCION	CANTIDAD
1	4404120102	MANETA NEGRA 1 1/2'-2'		6	4404120108	VISOR CON JUNTA	
2	4404121102	TAPA ABS 6 V		7	4404121107	TAPON 1/4' VALVULA	
3	4404121103	RESORTE VALVULA		8	4404121408	DIFUSOR VALVULA TOP	
4	4404121104	DISTRIBUIDOR CON JUNTA		9	4404121110	CJTO. SUPERIOR 11/2" BAYONETA NEGR "	
5	4404121105	JUNTAS VALVULA 1 1/2'		10	20565R0101	CUERPO VALVULA SELECTORA 1 1/2" BAYI	

CODE 20565

DESCRIPTION: SÉLECTEUR 1 1/2" TO "

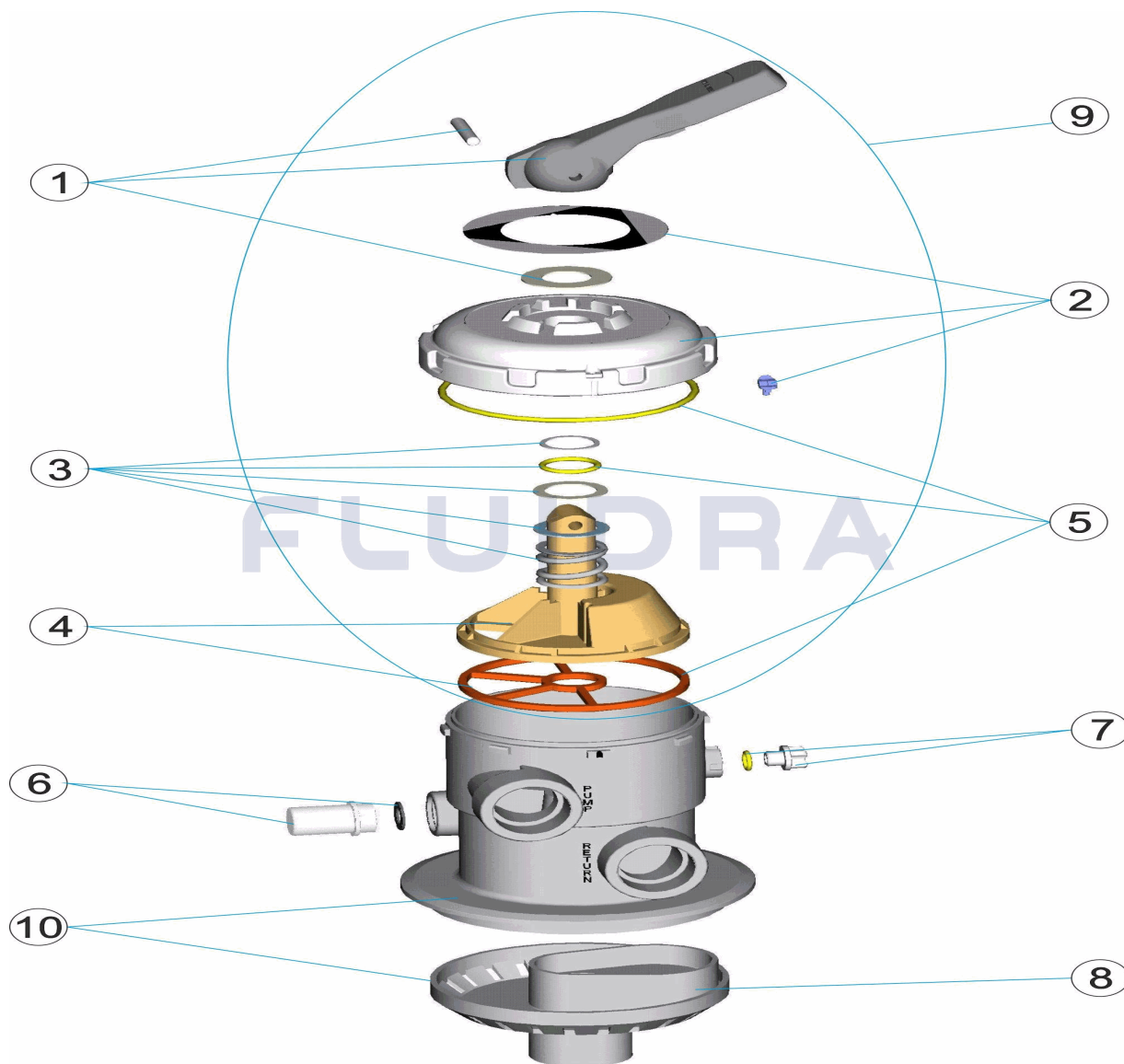


FRANCAIS

POS	CODE	DESCRIPTION	QUANTITE	POS	CODE	DESCRIPTION	QUANTITE
1	4404120102	POIGNEE NOIRE 1 1/2' ET 2'		6	4404120108	VOYANT ET JOINT	
2	4404121102	COUVERCLE ABS 6 VOIES		7	4404121107	BOUCHON 1/4' DE VANNE	
3	4404121103	RESSORT DE VANNE		8	4404121408	DIFFUSEUR DE VANNE TOP	
4	4404121104	BOISSEAU AVEC JOINT		9	4404121110	ENSEMBLE SUPERIEUR 1 1/2" BAYONETTE	
5	4404121105	JOINTS VANNE 1 1/2'		10	20565R0101	CORP DE VANNE DE SELECTION 1 1/2"	

CODE **20565**

DESCRIPTION: **MULTIPORT VALVE 1/2" TO "**

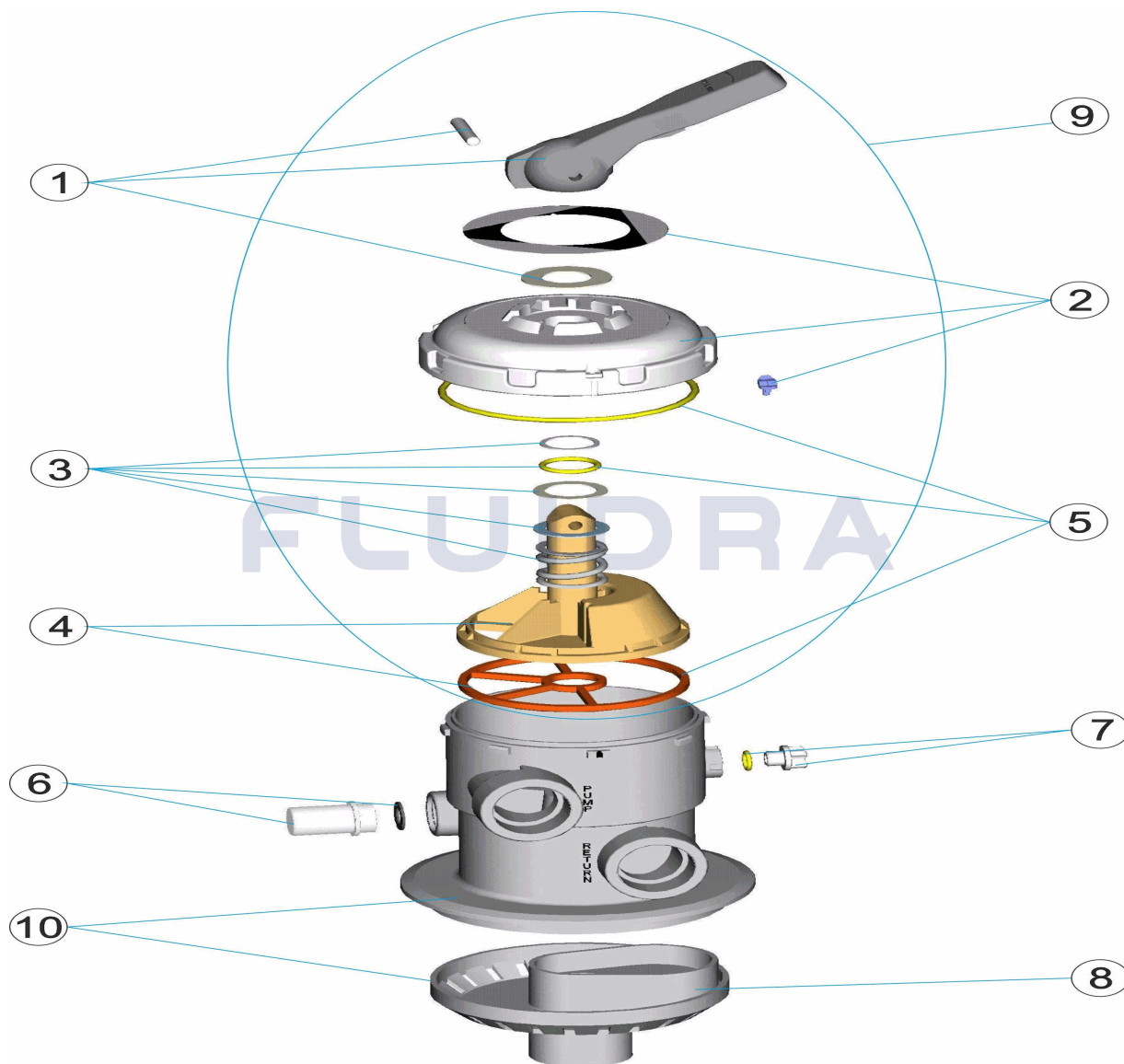


ENGLISH

POS	CODE	DESCRIPTION	QUANTITY	POS	CODE	DESCRIPTION	QUANTITY
1	4404120102	BLACK HANDLE 11/2'-2'		6	4404120108	VISOR WITH SEAL	
2	4404121102	TOP ABS 6 WAY		7	4404121107	PLUG 1/4'	
3	4404121103	SPRING		8	4404121408	DIFFUSER	
4	4404121104	DISTRIBUTOR WITH GASKETS		9	4404121110	UPPER PART 1 1/2" BAYONET CLOSING BL	
5	4404121105	GASKETS 1 1/2'		10	20565R0101	VALVE BODY 1 1/2"	

CODICE **20565**

DESCRIZIONE: **VALVOLA SELETRICE 1 1/2" TO "**

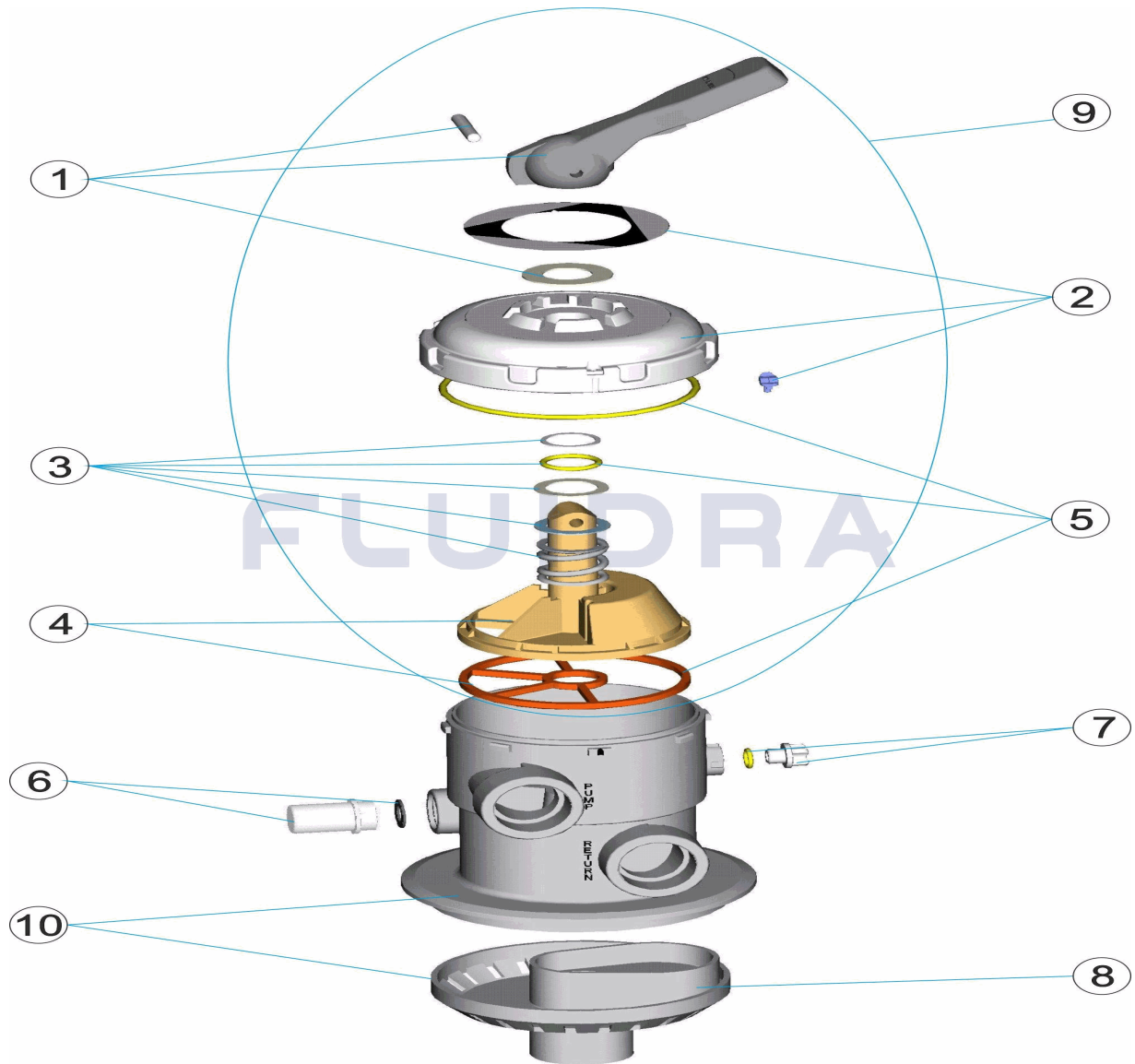


ITALIANO

POS	CODICE	DESCRIZIONE	QUANTITA'	POS	CODICE	DESCRIZIONE	QUANTITA'
1	4404120102	MANIGLIA NERA 1 1/2' - 2'		6	4404120108	VISORE CON GUARNIZIONE	
2	4404121102	COPERCHIO ABS 6 V		7	4404121107	COPERCHIO 1/4' VALVOLA	
3	4404121103	MOLLA VALVOLA		8	4404121408	DIFFUSORE VALVOLA TOP	
4	4404121104	DISTRIBUTORE CON GUARNIZIONE		9	4404121110	KIT BAIONETTA SUPERIORE DA 1 1/2" COL	
5	4404121105	GUARNIZIONI VALVOLA 1 1/2'		10	20565R0101	CORPO VALVOLA SELETRICE 11/2" NERA	

CODE **20565**

BESCHREIBUNG: **MEHRWEGVENTIL 1 1/2" TO "**

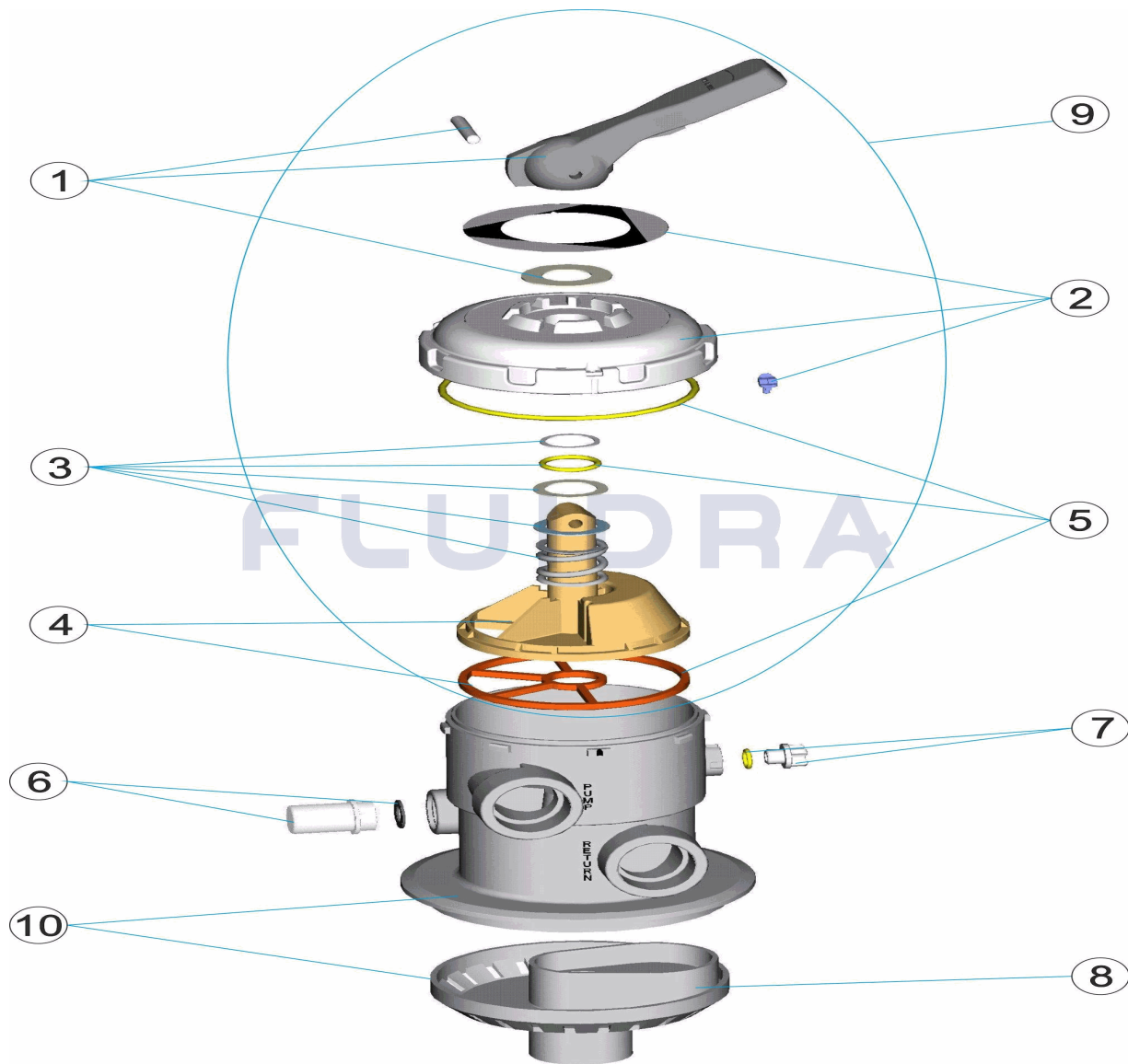


DEUTSCH

POS	CODE	BESCHREIBUNG	MENGE	POS	CODE	BESCHREIBUNG	MENGE
1	4404120102	GRIFF SCHWARZ 1 1/2' - 2'		6	4404120108	SCHAUGLAS UND DICHTUNG	
2	4404121102	ABDECKUNG ABS 6 V		7	4404121107	STOPFEN 1/4' VENTIL	
3	4404121103	VENTILFEDER		8	4404121408	WASSERVERTEILER VENTIL TOP	
4	4404121104	VERTEILER UND DICHTUNG		9	4404121110	SET OBEN 1 1/2" BAJONETT SCHWAR "	
5	4404121105	VENTILDICHTUNGEN 1 1/2'		10	20565R0101	KÖRPER MEHRWEGVENTIL 1 1/2"	

CODIGO **20565**

DESCRIÇÃO: **VÁLVULA SELECTORA 1 1/2" TO "**



PORTUGUES

POS	CODIGO	DESCRIÇÃO	JANTIDADE	POS	CODIGO	DESCRIÇÃO	JANTIDADE
1	4404120102	MANIPULO PRETO 1 1/2'-2'		6	4404120108	VISOR COM JUNTA	
2	4404121102	MANIPULO		7	4404121107	TAMPÃO 1/4' VÁLVULA	
3	4404121103	TAMPA PARAFUSOS		8	4404121408	DIFUSOR VALVULA TOP	
4	4404121104	DISTRIBUIDORCOM JUNTA		9	4404121110	CJTO. SUPERIOR 1 1/2" BAIONRTA PRET "	
5	4404121105	JUNTAS VÁLVULA 1 1/2'		10	20565R0101	CORPO VALVULA SELECTORA 1 1/2" BAIOT	