

DESPIECE

REV.: 0

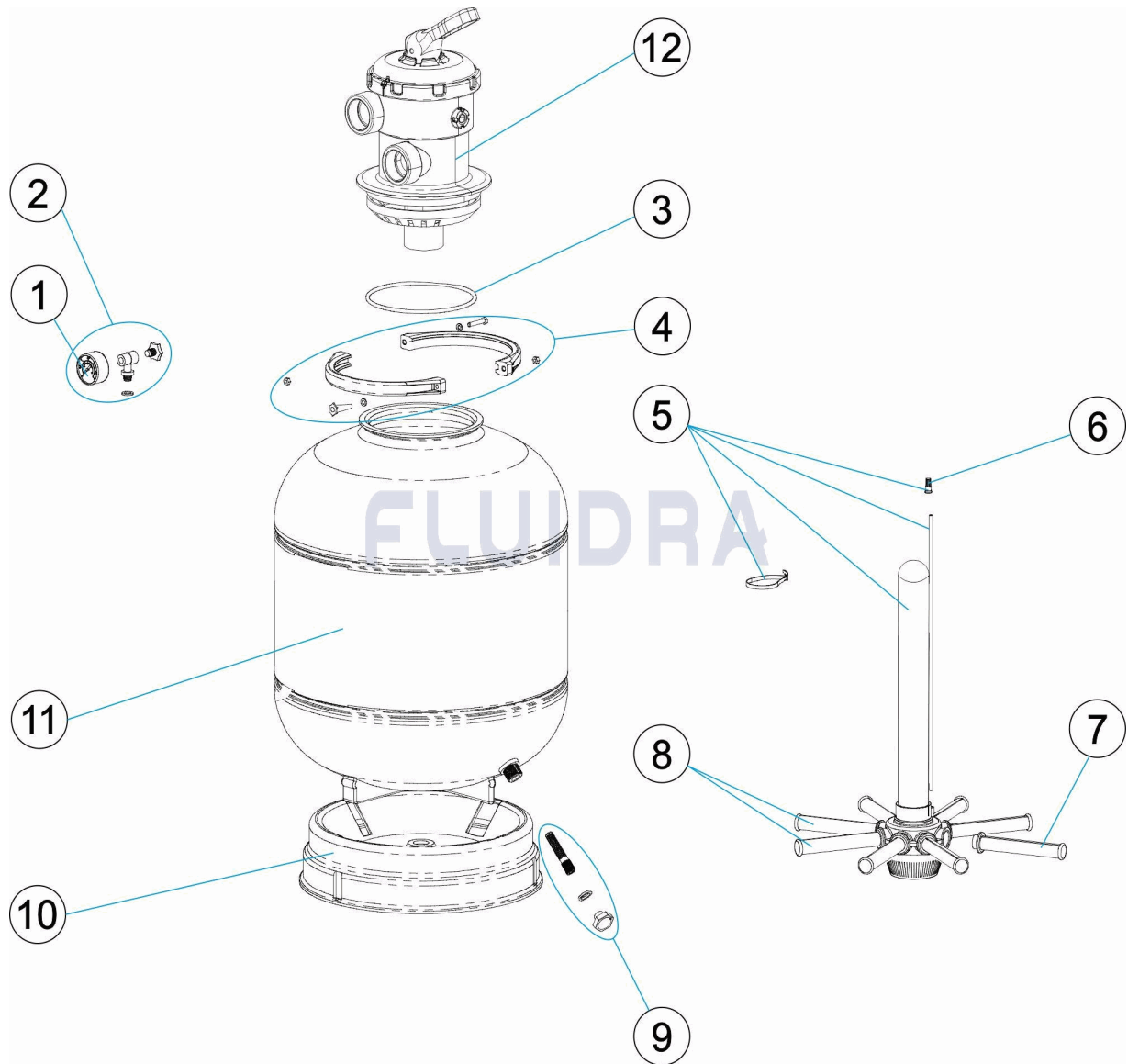
1466

FECHA: 03/06/2021

HOJA: 1/2

CODIGO FTM400, FTM450, FTM500, FTM600

DESCRIPCION: FILTRO TOP D. 400-450-500-600



ESPAÑOL

POS	CODIGO	DESCRIPCION	CANTIDAD	POS	CODIGO	DESCRIPCION	CANTIDAD
1	4411020407	MANOMETRO 1/8" 3 KG/C "		8	* 4404010073	CJTO. BRAZOS COLECTOR D. 350 - 400	
2	4411020206A	MANOMETRO COMPLETO		8	* 4404010074	CJTO. BRAZOS COLECTOR D. 450 - 500	
3	4404080101A	JUNTA TORICA TAPA		9	4404250031	PURGA ARENA	
4	4411020402A	ZUNCHO PLASTICO		10	* 33878R0001	PIE FILTRO D. 400/450	
5	* 4404250027	CJTO. COLECTOR D. 400 TOP		10	* 33880R0001	PIE FILTRO D. 500/600	
5	* 4404250028	CJTO. COLECTOR D. 450 TOP		11	* 33878R0300A	CUBA D.400 ZUNCHO	
5	* 4404250029	CJTO. COLECTOR D. 500 TOP		11	* 33879R0300A	CUBA D.450 ZUNCHO	
5	* 4404250030	CJTO. COLECTOR D. 600 TOP		11	* 33880R0300A	CUBA D.500 ZUNCHO	
6	4404040108	PURGA AIRE		11	* 33881R0300A	CUBA D.600 ZUNCHO	
7	* 4404300119	BRAZO COLECTOR 3/4" 110 M "		12	MPV15/M2TN	VALVULA SELECTORA 1 1/2"	
7	* 4404300120	BRAZO COLECTOR 3/4" 160 M "					

* VER HOJA DE OBSERVACIONES

DESPIECE

REV.: 0

1466

FECHA: 03/06/2021

HOJA: 2/2

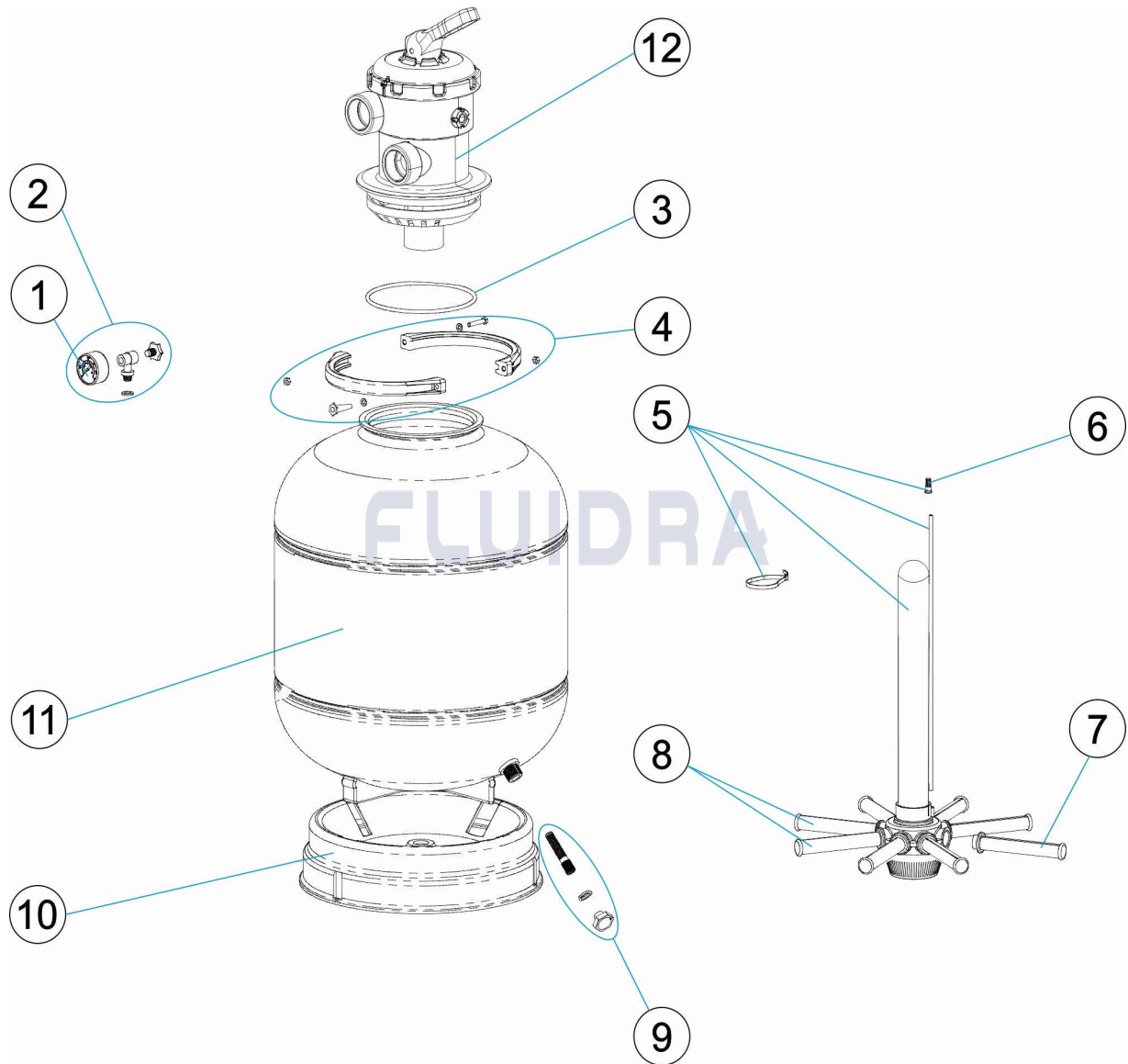
CODIGO **FTM400, FTM450, FTM500, FTM600**DESCRIPCION: **FILTRO TOP D. 400-450-500-600**

OBSERVACIONES

POS	CODIGO	OBSERVACIONES
5	* 4404250027	PARA: FTM400
5	* 4404250028	PARA: FTM450
5	* 4404250029	PARA: FTM500
5	* 4404250030	PARA: FTM600
7	* 4404300119	PARA: FTM400 [4UT]
7	* 4404300120	PARA: FTM450 [4UT], FTM500 [4UT], FTM600 [4UT]
8	* 4404010073	PARA: FTM400
8	* 4404010074	PARA: FTM450, FTM500, FTM600
10	* 33878R0001	PARA: FTM400, FTM450
10	* 33880R0001	PARA: FTM500, FTM600
11	* 33878R0300A	PARA: FTM400
11	* 33879R0300A	PARA: FTM450
11	* 33880R0300A	PARA: FTM500
11	* 33881R0300A	PARA: FTM600

CODE **FTM400, FTM450, FTM500, FTM600**

DESCRIPTION: **FILTRE TOP D. 400-450-500-600**



FRANCAIS

POS	CODE	DESCRIPTION	QUANTITE	POS	CODE	DESCRIPTION	QUANTITE
1	4411020407	MANOMETRE 1/8" 3 KG./C "		8	* 4404010073	ENSEMBLE BRAS DE REPARTITEUR D. 350	
2	4411020206A	MANOMETRE COMPLET		8	* 4404010074	ENSEMBLE BRAS DE REPARTITEUR D. 450	
3	4404080101A	JOINT TORIQUE COUVERCLE		9	4404250031	PURGE SABLE	
4	4411020402A	ENSEMBLE COLLIER EN PLASTIC		10	* 33878R0001	SOCLE FILTRE D. 400/450	
5	* 4404250027	ENSEMBLE COLLECTEUR D. 400 TOP		10	* 33880R0001	SOCLE FILTRE D. 500/600	
5	* 4404250028	ENSEMBLE COLLECTEUR D. 450 TOP		11	* 33878R0300A	CORPS DE FILTRE D. 400	
5	* 4404250029	ENSEMBLE COLLECTEUR D. 500 TOP		11	* 33879R0300A	CORPS DE FILTRE D. 450	
5	* 4404250030	ENSEMBLE COLLECTEUR D. 600 TOP		11	* 33880R0300A	CORPS DE FILTRE D. 500	
6	4404040108	PURGE D'AIR		11	* 33881R0300A	CORPS DE FILTRE D. 600	
7	* 4404300119	BRAS DE REPARTITEUR 3/4" 110M "		12	MPV15/M2TN	SÉLECTEUR 1 ½"	
7	* 4404300120	BRAS DE REPARTITEUR 3/4" 160M "					

ÉCLATÉ

REV.: 0
DATE: 03/06/2021
PAG.: 2/2

1466

CODE FTM400, FTM450, FTM500, FTM600

DESCRIPTION: FILTRE TOP D. 400-450-500-600

OBSERVATIONS

POS	CODE	OBSERVATIONS
5	* 4404250027	POUR: FTM400
5	* 4404250028	POUR: FTM450
5	* 4404250029	POUR: FTM500
5	* 4404250030	POUR: FTM600
7	* 4404300119	POUR: FTM400 [4UT]
7	* 4404300120	POUR: FTM450 [4UT], FTM500 [4UT], FTM600 [4UT]
8	* 4404010073	POUR: FTM400
8	* 4404010074	POUR: FTM450, FTM500, FTM600
10	* 33878R0001	POUR: FTM400, FTM450
10	* 33880R0001	POUR: FTM500, FTM600
11	* 33878R0300A	POUR: FTM400
11	* 33879R0300A	POUR: FTM450
11	* 33880R0300A	POUR: FTM500
11	* 33881R0300A	POUR: FTM600

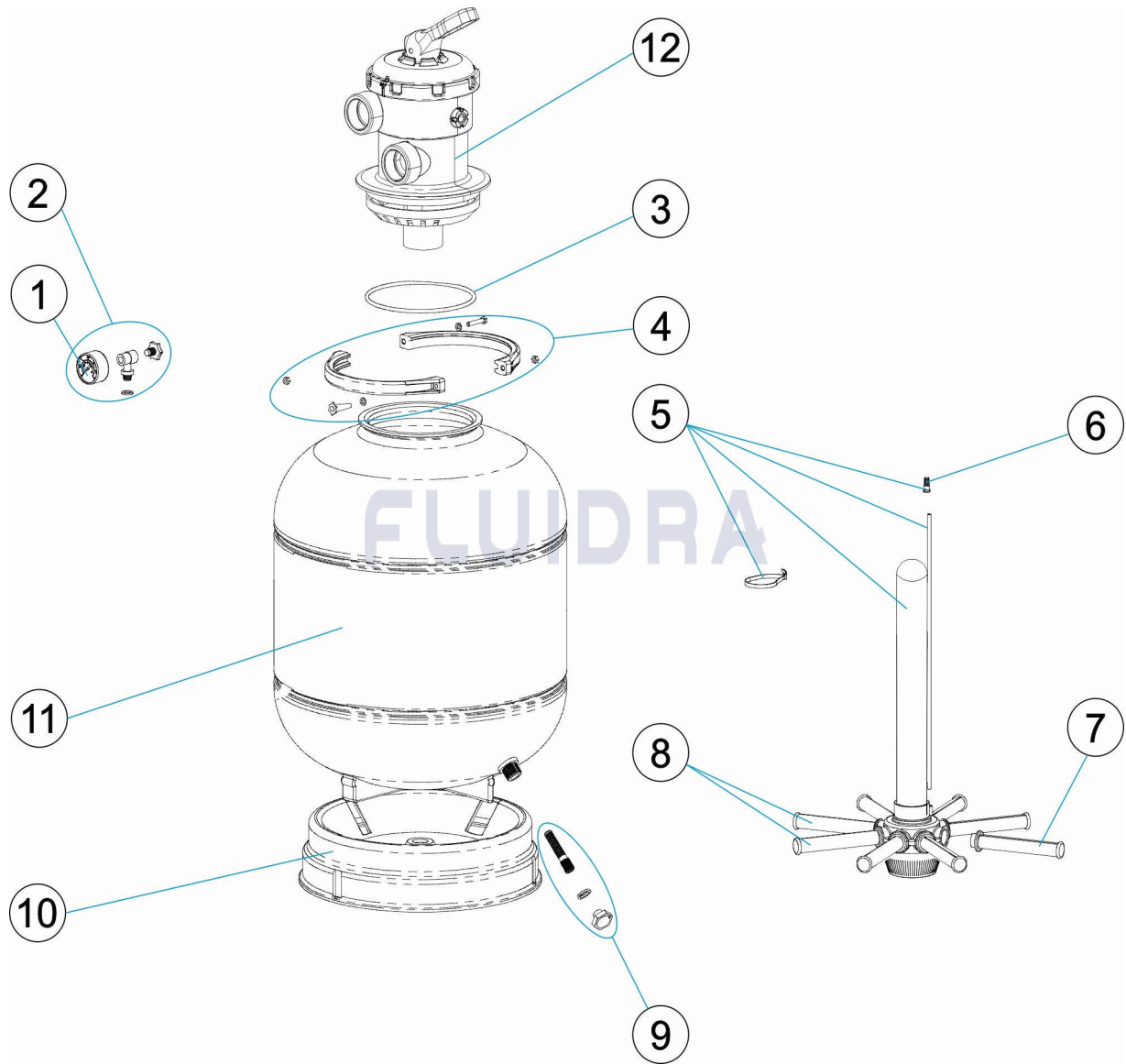
PARTS BREAKDOWN

REV.: 0
DATE: 03/06/2021
SHEET: 1/2

1466

CODE FTM400, FTM450, FTM500, FTM600

DESCRIPTION: FILTER TOP D. 400-450-500-600



ENGLISH

POS	CODE	DESCRIPTION	QUANTITY	POS	CODE	DESCRIPTION	QUANTITY
1	4411020407	PRESSURE GAUGE 1/8" 3 KG./C "		8	* 4404010073	MANIFOLD ARM ASSEMBLY D. 350	
2	4411020206A	COMPLETE PRESSURE GAUGE UNIT		8	* 4404010074	MANIFOLD ARM ASSEMBLY D. 450 - 500	
3	4404080101A	LID 'O' RING		9	4404250031	SAND PURGE	
4	4411020402A	PLASTIC V-CLAMP SET		10	* 33878R0001	FILTER BASE D. 400/450	
5	* 4404250027	MANIFOLD ASSEMBLY D. 400 TOP		10	* 33880R0001	FILTER BASE D. 500/600	
5	* 4404250028	MANIFOLD ASSEMBLY D. 450 TOP		11	* 33878R0300A	FILTER BODY D. 400	
5	* 4404250029	MANIFOLD ASSEMBLY D. 500 TOP		11	* 33879R0300A	FILTER BODY D. 450	
5	* 4404250030	MANIFOLD ASSEMBLY D. 600 TOP		11	* 33880R0300A	FILTER BODY D. 500	
6	4404040108	AIR PURGE		11	* 33881R0300A	FILTER BODY D. 600	
7	* 4404300119	MANIFOLD ARM 3/4" 110 M "		12	MPV15/M2TN	MULTIPOINT VALVE 1 1/2"	
7	* 4404300120	MANIFOLD ARM 3/4" 160 M "					

* SEE OBSERVATIONS SHEET

PARTS BREAKDOWN

REV.: 0
DATE: 03/06/2021
SHEET: 2/2

1466

CODE FTM400, FTM450, FTM500, FTM600

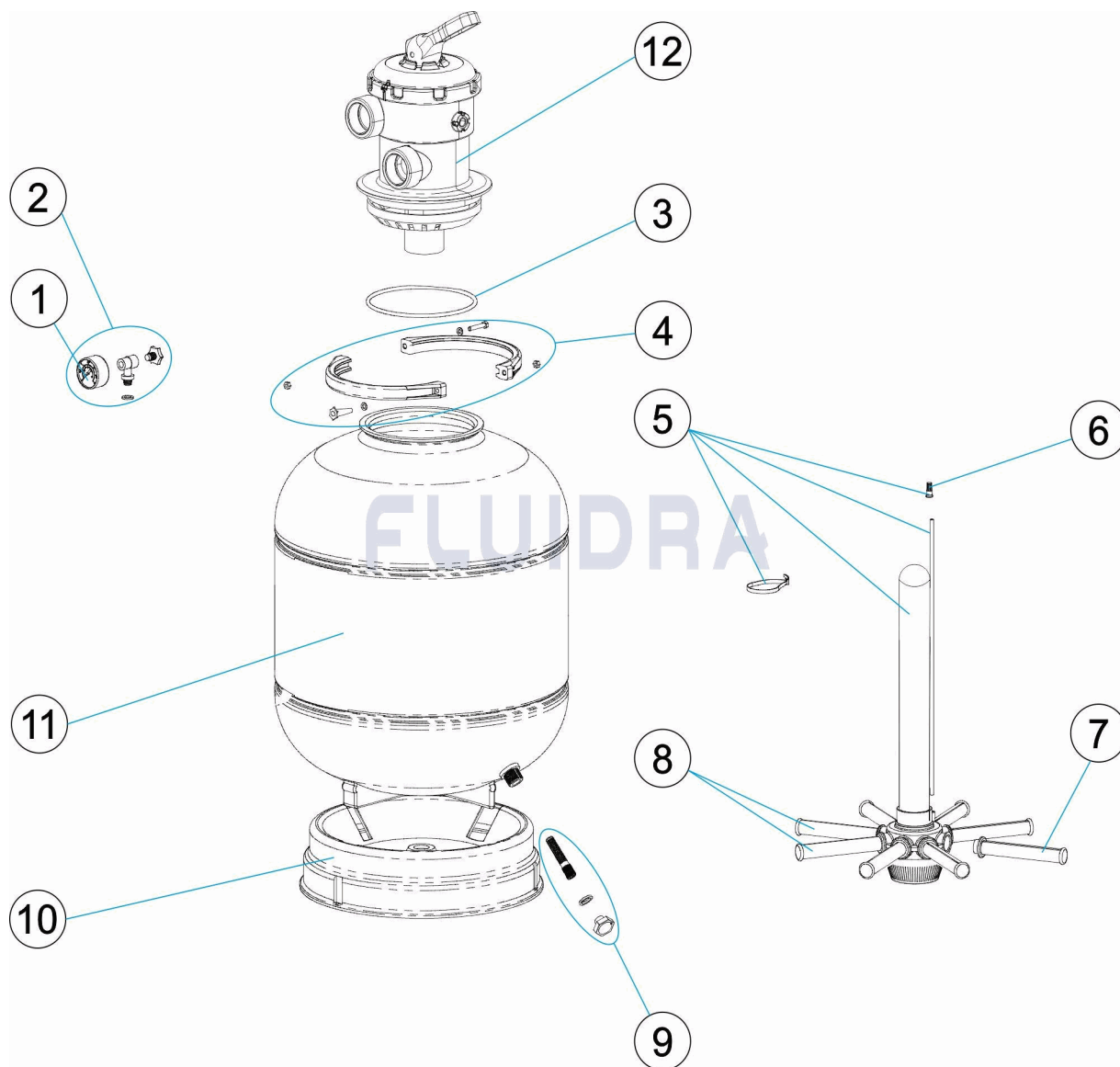
DESCRIPTION: FILTER TOP D. 400-450-500-600

OBSERVATIONS

POS	CODE	OBSERVATIONS
5	* 4404250027	FOR: FTM400
5	* 4404250028	FOR: FTM450
5	* 4404250029	FOR: FTM500
5	* 4404250030	FOR: FTM600
7	* 4404300119	FOR: FTM400 [4UT]
7	* 4404300120	FOR: FTM450 [4UT], FTM500 [4UT], FTM600 [4UT]
8	* 4404010073	FOR: FTM400
8	* 4404010074	FOR: FTM450, FTM500, FTM600
10	* 33878R0001	FOR: FTM400, FTM450
10	* 33880R0001	FOR: FTM500, FTM600
11	* 33878R0300A	FOR: FTM400
11	* 33879R0300A	FOR: FTM450
11	* 33880R0300A	FOR: FTM500
11	* 33881R0300A	FOR: FTM600

CODICE FTM400, FTM450, FTM500, FTM600

DESCRIZIONE: FILTRO TOP D. 400-450-500-600


ITALIANO

POS	CODICE	DESCRIZIONE	QUANTITA'	POS	CODICE	DESCRIZIONE	QUANTITA'
1	4411020407	MANOMETRO 1/8" 3 KG./C "		8	* 4404010073	GRUPPO CANDELOTTO COLLECTORE D. 3	
2	4411020206A	MANOMETRO COMPLETO		8	* 4404010074	GRUPPO CANDELOTTO COLLECTORE D. 4	
3	4404080101A	O-RING COPERCHIO		9	4404250031	SCARICO SABBIA	
4	4411020402A	INSIEME FASCIA IN PLASTICA		10	* 33878R0001	BASE FILTRO 400/450	
5	* 4404250027	KIT COLLETTORE D. 400 TOP		10	* 33880R0001	BASE FILTRO D. 500/600	
5	* 4404250028	KIT COLLETTORE D. 450 TOP		11	* 33878R0300A	CORPO FILTRO D. 400	
5	* 4404250029	KIT COLLETTORE D. 500 TOP		11	* 33879R0300A	CORPO FILTRO D. 450	
5	* 4404250030	KIT COLLETTORE D. 600 TOP		11	* 33880R0300A	CORPO FILTRO D. 500	
6	4404040108	SFIATO ARIA		11	* 33881R0300A	CORPO FILTRO D. 600	
7	* 4404300119	CANDELOTTO COLLECTORE 3/4" 110M "		12	MPV15/M2TN	VALVOLA SELETRICE 1 1/2"	
7	* 4404300120	CANDELOTTO COLLECTORE 3/4" 160M "					

ESPLOSO

REV.: 0

1466

DATA: 03/06/2021

PAG.: 2/2

CODICE **FTM400, FTM450, FTM500, FTM600**DESCRIZIONE: **FILTRO TOP D. 400-450-500-600**

OSSERVAZIONI

POS	CODICE	OSSERVAZIONI
5	* 4404250027	PER: FTM400
5	* 4404250028	PER: FTM450
5	* 4404250029	PER: FTM500
5	* 4404250030	PER: FTM600
7	* 4404300119	PER: FTM400 [4UT]
7	* 4404300120	PER: FTM450 [4UT], FTM500 [4UT], FTM600 [4UT]
8	* 4404010073	PER: FTM400
8	* 4404010074	PER: FTM450, FTM500, FTM600
10	* 33878R0001	PER: FTM400, FTM450
10	* 33880R0001	PER: FTM500, FTM600
11	* 33878R0300A	PER: FTM400
11	* 33879R0300A	PER: FTM450
11	* 33880R0300A	PER: FTM500
11	* 33881R0300A	PER: FTM600

EINZELTEILE

ÜBER.: 0

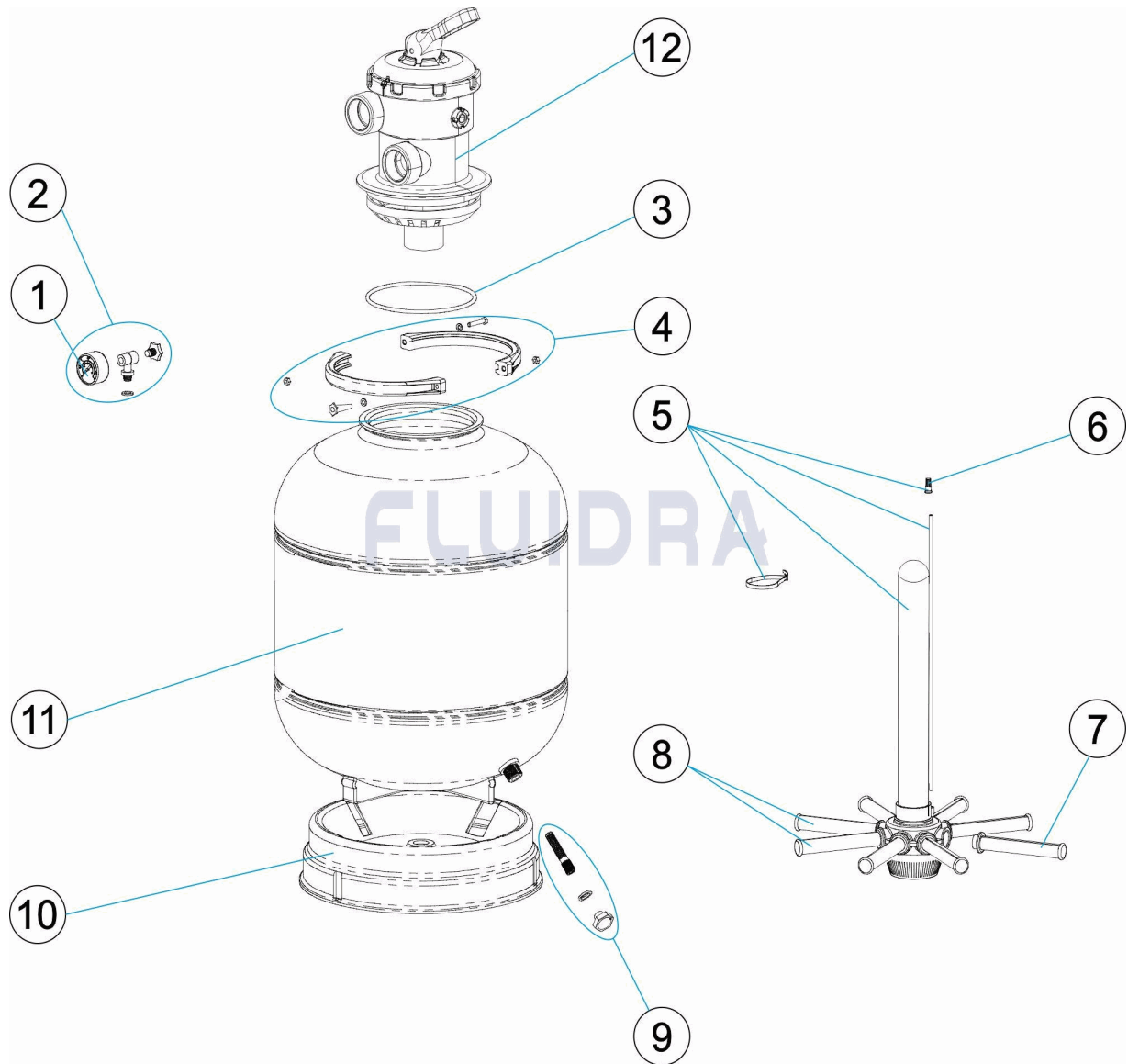
1466

DATUM: 03/06/2021

BLATT: 1/2

CODE FTM400, FTM450, FTM500, FTM600

BESCHREIBUNG: FILTER TOP D. 400-450-500-600



DEUTSCH

POS	CODE	BESCHREIBUNG	MENGE	POS	CODE	BESCHREIBUNG	MENGE
1	4411020407	MANOMETER 1/8" 3 KG/C "		8	* 4404010073	SET FILTERSTERN-SCHLITZROHR D. 350 -	
2	4411020206A	MANOMETER KOMPLETT		8	* 4404010074	SET FILTERSTERN-SCHLITZROHR D. 450 -	
3	4404080101A	O-RING ABDECKUNG		9	4404250031	SANDENTLEERUNG	
4	4411020402A	EINSATZ KUNSTSTOFF		10	* 33878R0001	FILTERFUSS 400/450	
5	* 4404250027	SAMMELROHRSET D. 400 TOP		10	* 33880R0001	FILTERFUSS D. 500/600	
5	* 4404250028	SAMMELROHRSET D. 450 TOP		11	* 33878R0300A	GEHÄUSE D. 400 EINSATZ	
5	* 4404250029	SAMMELROHRSET D. 500 TOP		11	* 33879R0300A	GEHÄUSE D. 450 EINSATZ	
5	* 4404250030	SAMMELROHRSET D. 600 TOP		11	* 33880R0300A	GEHÄUSE D. 500 EINSATZ	
6	4404040108	ENTLÜFTUNG		11	* 33881R0300A	GEHÄUSE D. 600 EINSATZ	
7	* 4404300119	FILTERSTERN-SCHLITZROHR 3/4" 110M "		12	MPV15/M2TN	MEHRWEGVENTIL 1 1/2"	
7	* 4404300120	FILTERSTERN-SCHLITZROHR 3/4" 160 M "					

* SIEHE ANMERKUNGSBLATT

EINZELTEILE

ÜBER.: 0

1466

DATUM: 03/06/2021

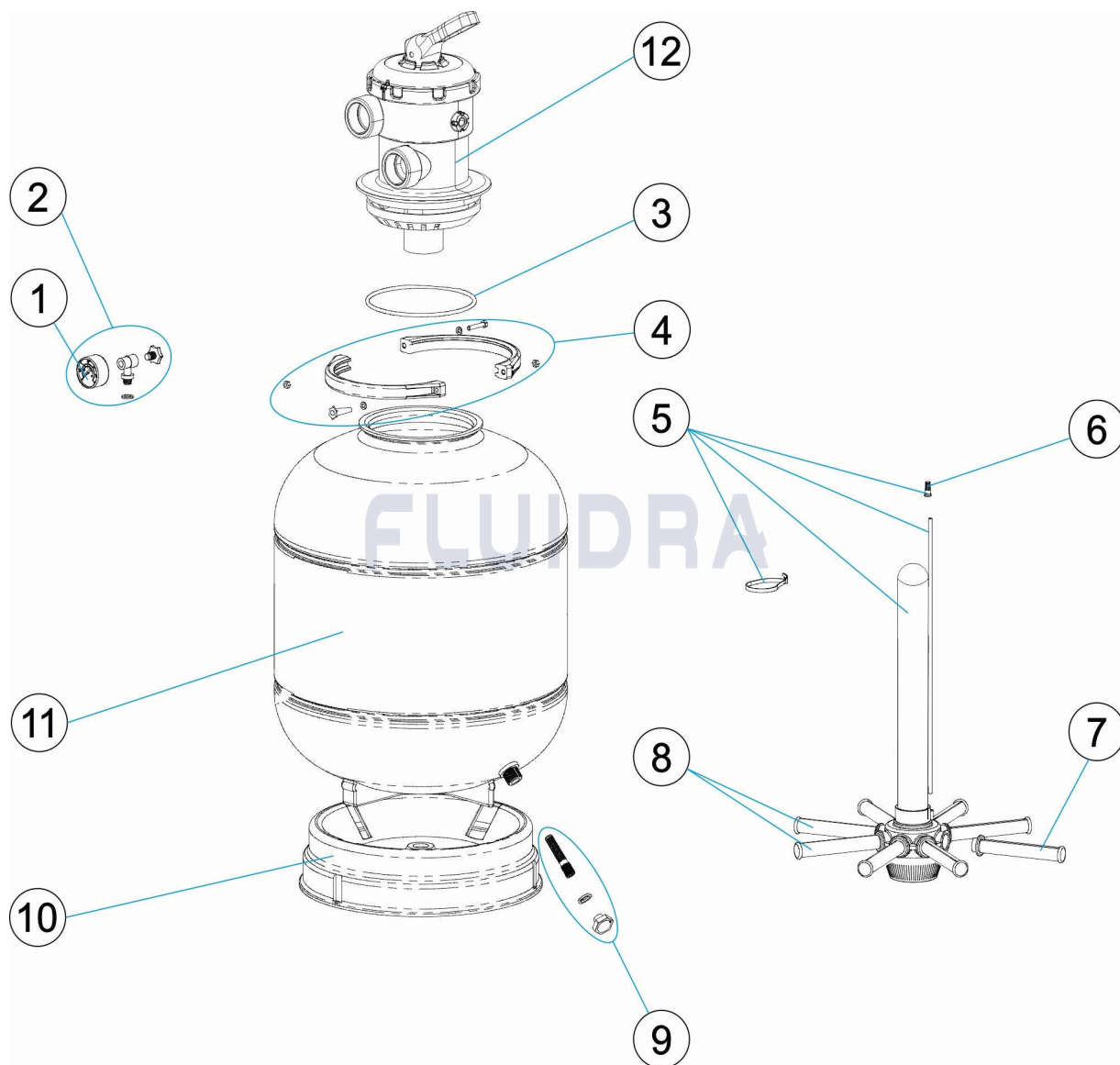
BLATT: 2/2

CODE **FTM400, FTM450, FTM500, FTM600**BESCHREIBUNG: **FILTER TOP D. 400-450-500-600**

HINWEISE

POS	CODE	HINWEISE
5	* 4404250027	FÜR: FTM400
5	* 4404250028	FÜR: FTM450
5	* 4404250029	FÜR: FTM500
5	* 4404250030	FÜR: FTM600
7	* 4404300119	FÜR: FTM400 [4UT]
7	* 4404300120	FÜR: FTM450 [4UT], FTM500 [4UT], FTM600 [4UT]
8	* 4404010073	FÜR: FTM400
8	* 4404010074	FÜR: FTM450, FTM500, FTM600
10	* 33878R0001	FÜR: FTM400, FTM450
10	* 33880R0001	FÜR: FTM500, FTM600
11	* 33878R0300A	FÜR: FTM400
11	* 33879R0300A	FÜR: FTM450
11	* 33880R0300A	FÜR: FTM500
11	* 33881R0300A	FÜR: FTM600

CODIGO **FTM400, FTM450, FTM500, FTM600**

 DESCRIÇÃO: **FILTRO TOP D. 400-450-500-600**

PORTUGUES

POS	CODIGO	DESCRIÇÃO	JANTIDADE	POS	CODIGO	DESCRIÇÃO	JANTIDADE
1	4411020407	MANOMETRO 1/8" 3 KG./C "		8	* 4404010073	CJTO. BRAÇO COLECTOR D. 350	
2	4411020206A	MANÓMETRO COMPLETO		8	* 4404010074	CJTO. BRAÇO COLECTOR D. 450 - 500	
3	4404080101A	JUNTA TÓRICA TAMPA		9	4404250031	PURGA AREIA	
4	4411020402A	CONJUNTO ABRAÇADERA DE PLASTICO		10	* 33878R0001	PÉ FILTRO 400/450	
5	* 4404250027	CJTO. COLECTOR D. 400 TOP		10	* 33880R0001	PÉ FILTRO D. 500/600	
5	* 4404250028	CJTO. COLECTOR D. 450 TOP		11	* 33878R0300A	CORPO FILTRO D. 400	
5	* 4404250029	CJTO. COLECTOR D. 500 TOP		11	* 33879R0300A	CORPO FILTRO D. 450	
5	* 4404250030	CJTO. COLECTOR D. 600 TOP		11	* 33880R0300A	CORPO FILTRO D. 500	
6	4404040108	PURGA AREIA		11	* 33881R0300A	CORPO FILTRO D. 600	
7	* 4404300119	BRAÇO COLECTOR 3/4" 110M "		12	MPV15/M2TN	VÁLVULA SELECTORA 1 1/2"	
7	* 4404300120	BRAÇO COLECTOR 3/4" 160M "					

ITEM

REV.: 0

1466

DATA: 03/06/2021

FOLHA: 2/2

CODIGO FTM400, FTM450, FTM500, FTM600

DESCRIÇÃO: FILTRO TOP D. 400-450-500-600

OBSERVAÇÕES

POS	CODIGO	OBSERVAÇÕES
5	* 4404250027	PARA: FTM400
5	* 4404250028	PARA: FTM450
5	* 4404250029	PARA: FTM500
5	* 4404250030	PARA: FTM600
7	* 4404300119	PARA: FTM400 [4UT]
7	* 4404300120	PARA: FTM450 [4UT], FTM500 [4UT], FTM600 [4UT]
8	* 4404010073	PARA: FTM400
8	* 4404010074	PARA: FTM450, FTM500, FTM600
10	* 33878R0001	PARA: FTM400, FTM450
10	* 33880R0001	PARA: FTM500, FTM600
11	* 33878R0300A	PARA: FTM400
11	* 33879R0300A	PARA: FTM450
11	* 33880R0300A	PARA: FTM500
11	* 33881R0300A	PARA: FTM600