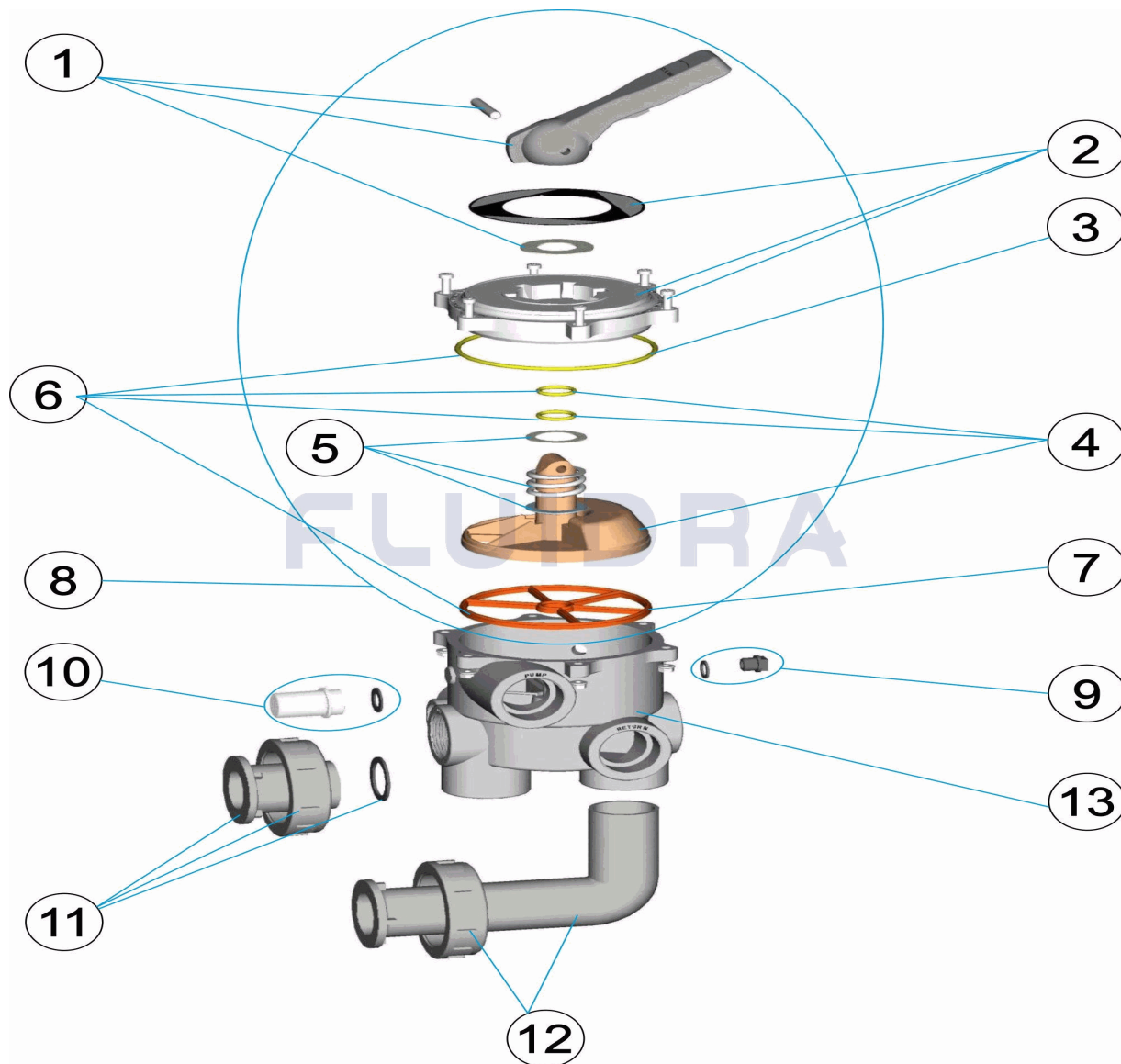


CODIGO **61395**

DESCRIPCION: **VALVULA SELECTORA 1 1/2"**

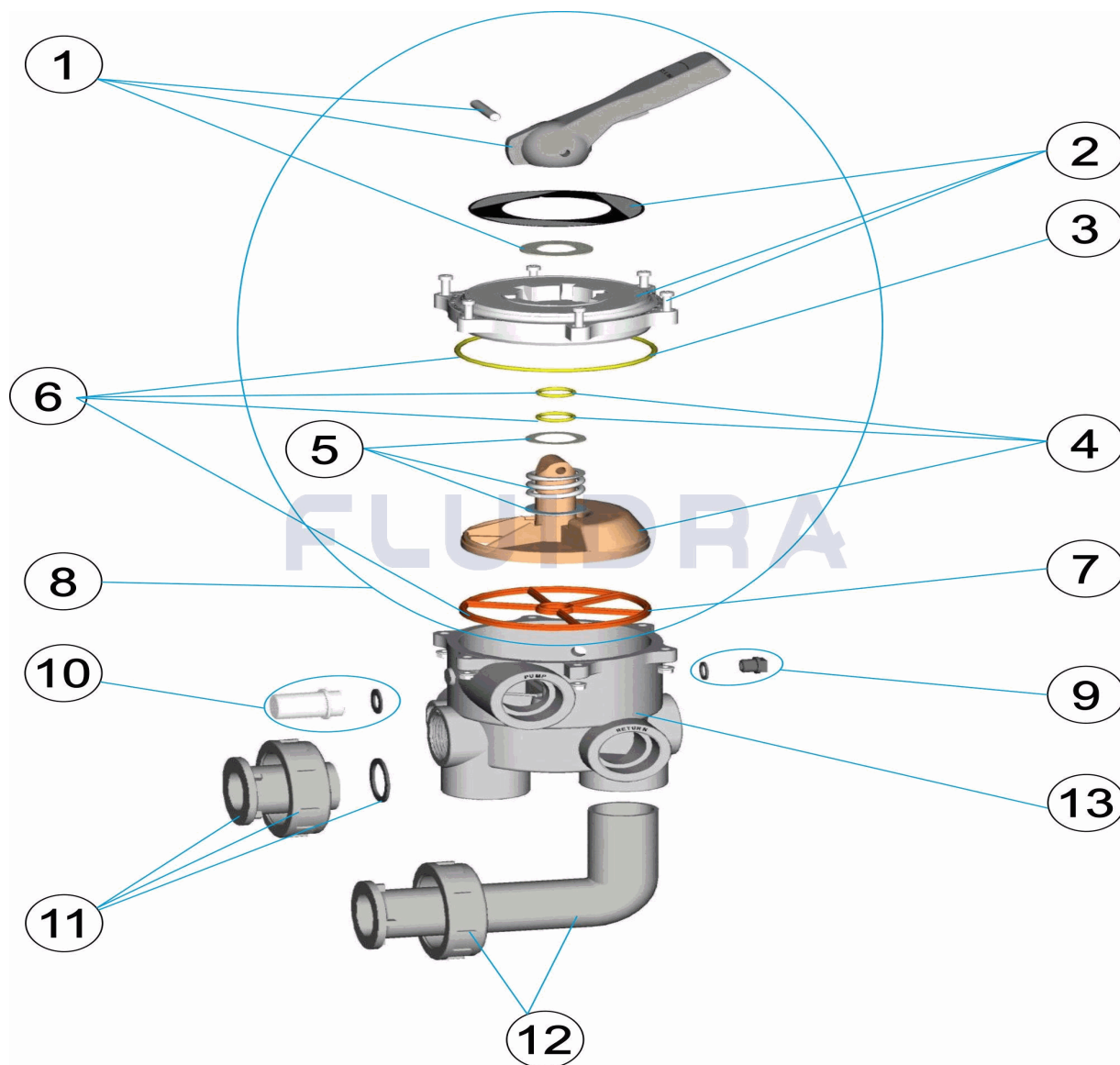


ESPAÑOL

POS	CODIGO	DESCRIPCION	CANTIDAD	POS	CODIGO	DESCRIPCION	CANTIDAD
1	4404120102	MANETA NEGRA 1 1/2'-2'		8	4404120112	TAPA DISTRIBUIDOR NEGRA 1 1/2' MNB/N/A	
2	4404120088	TAPA VALVULA SELECTORA 1 1/2"		9	4405010110	TAPONES PURGA "	
3	4404120023	JUNTA TORICA TAPA 1 1/2"		10	4404120108	VISOR CON JUNTA	
4	4404120106	DISTRIBUIDOR CON JUNTAS 1 1/2' NUEVO		11	4404120075	ENLACE RECTO NEGRO 1 1/2"	
5	4404120105	RESORTE CON ARANDELAS		12	4404120076	ENLACE ACODADO NEGRO 1 1/2"	
6	4404120107	JUNTAS VALVULA 1 1/2' NUEVA		13	00598R0101	CUERPO NEGRO 1 1/2" POSICION 3"	
7	4404120071	JUNTA VALVULA SELECTORA 1 1/2"					

CODE 61395

DESCRIPTION: SÉLECTEUR 1 1/2"

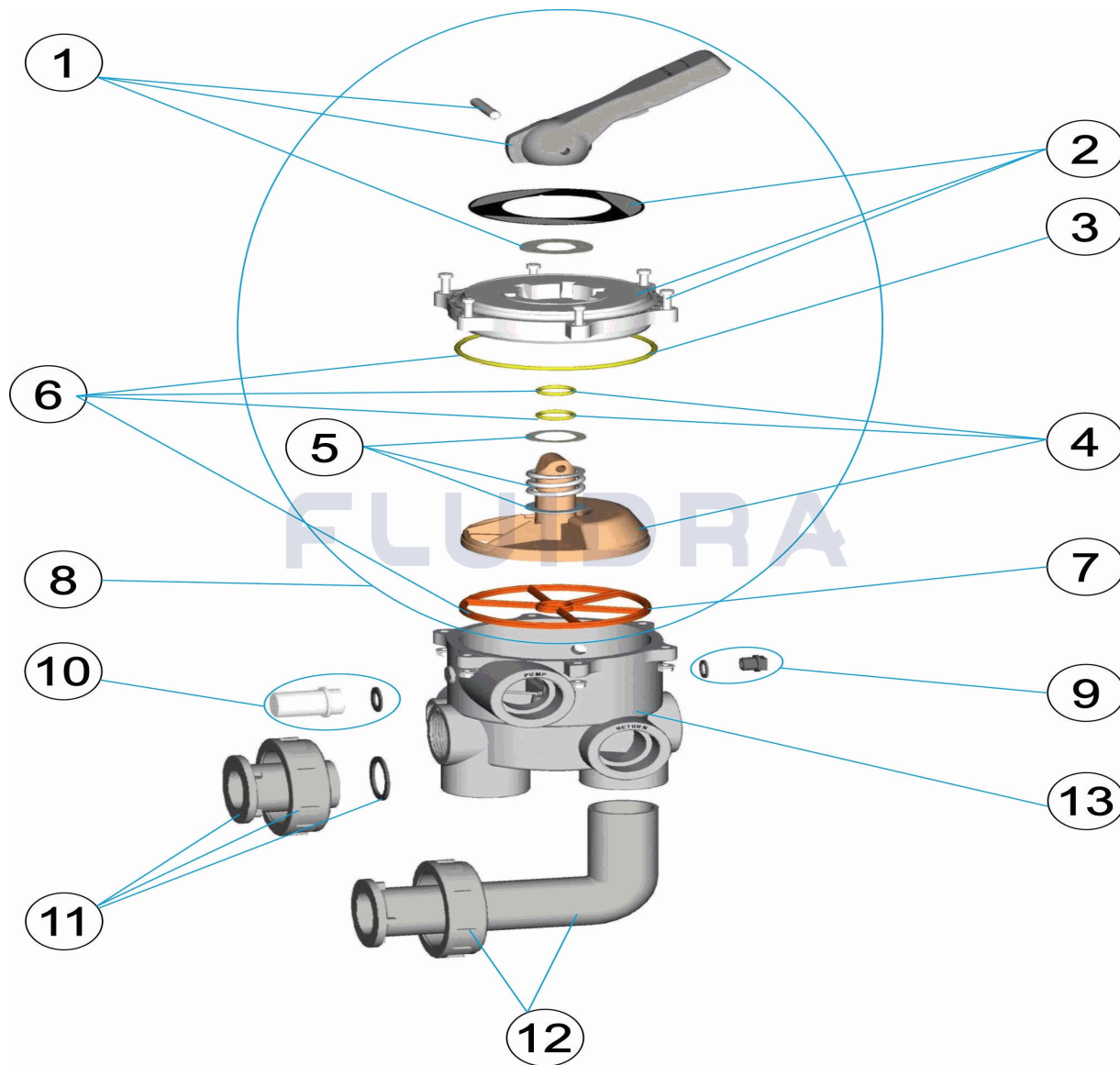


FRANCAIS

POS	CODE	DESCRIPTION	QUANTITE	POS	CODE	DESCRIPTION	QUANTITE
1	4404120102	POIGNEE NOIRE 1 1/2' ET 2'		8	4404120112	COUVERCLE NOIR ET BOISSEAU 1 1/2' MN	
2	4404120088	DESSUS DE VANNE 1 1/2"		9	4405010110	BOUCHON DE PURGUE "	
3	4404120023	JOINT TORIQUE COUVERCLE 1 1/2"		10	4404120108	VOYANT ET JOINT	
4	4404120106	BOISSEAU ET JOINT DE VANNE NOUVEAU		11	4404120075	SORTIE DROITE NOIRE 1 1/2"	
5	4404120105	RESSORT ET RONDELLES		12	4404120076	SORTIE COUDEE NOIRE 1 1/2"	
6	4404120107	JOINTS 1 1/2' NOUVEAU MODELE		13	00598R0101	CORPS NOIR VARIATION 3	
7	4404120071	JOINT VANNE 1 1/2"					

CODE **61395**

DESCRIPTION: **MULTIPORT VALVE 1 1/2"**

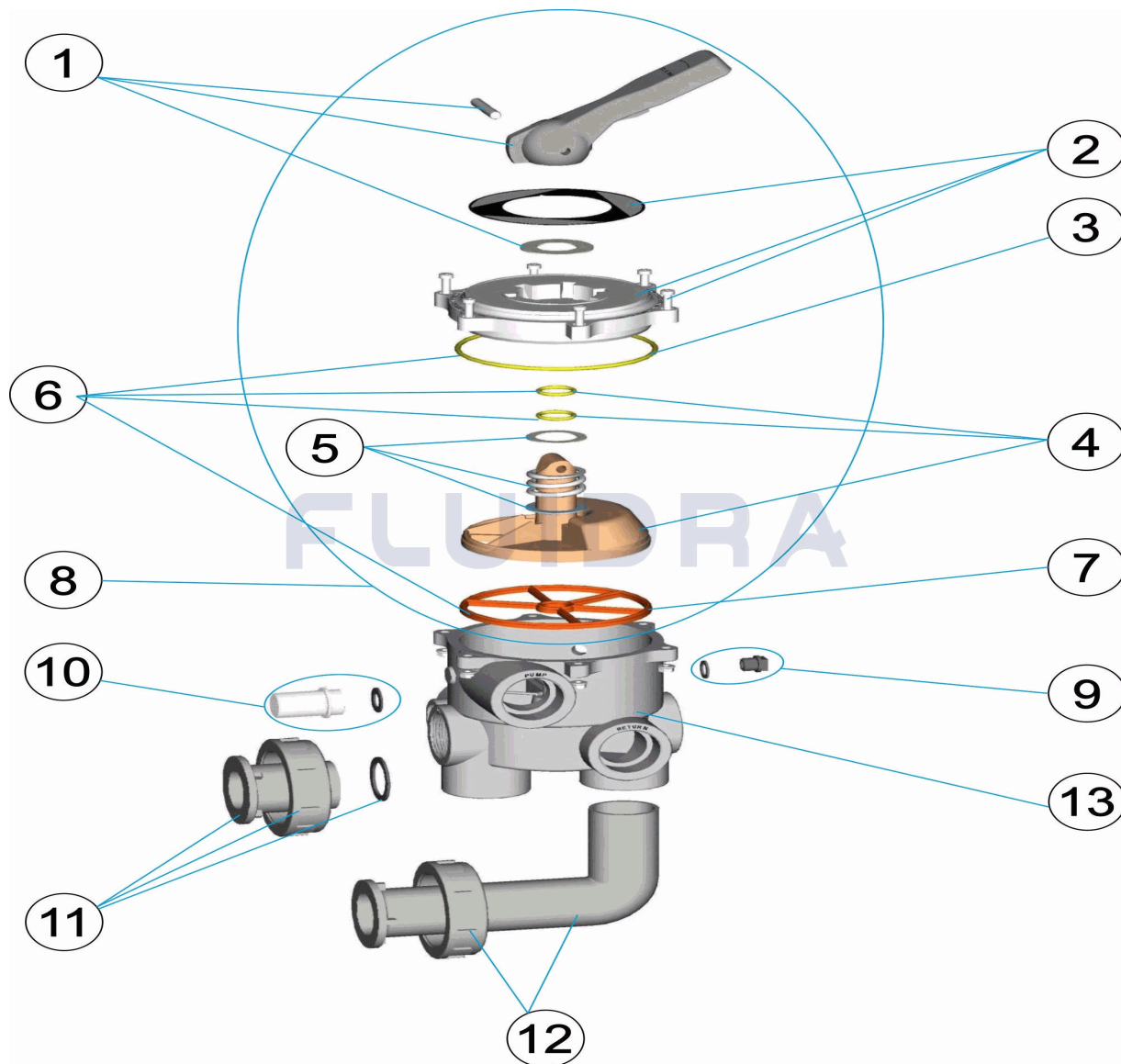


ENGLISH

POS	CODE	DESCRIPTION	QUANTITY	POS	CODE	DESCRIPTION	QUANTITY
1	4404120102	BLACK HANDLE 11/2'-2'		8	4404120112	TOP ASSEMBLY BLACK 1 1/2' MNB/N/A	
2	4404120088	COVERS SELECTOR VALVE 1 1/2"		9	4405010110	DRAIN PLUG "	
3	4404120023	1 1/2" LID 'O' RIN "		10	4404120108	VISOR WITH SEAL	
4	4404120106	DISTRIBUTOR WITH GASKETS 1 1/2"		11	4404120075	UNION BLACK 1 1/2"	
5	4404120105	SPRING WITH WASHERS		12	4404120076	ELBOW BLACK 1 1/2"	
6	4404120107	GASKETS NEW VALVE 1 1/2"		13	00598R0101	BLACK SELECTOR VALVE 1 1/2" POS. 3"	
7	4404120071	1 1/2" MULTIPORT VALVE GASKET					

CODICE 61395

DESCRIZIONE: VALVOLA SELETRICE 1 1/2"

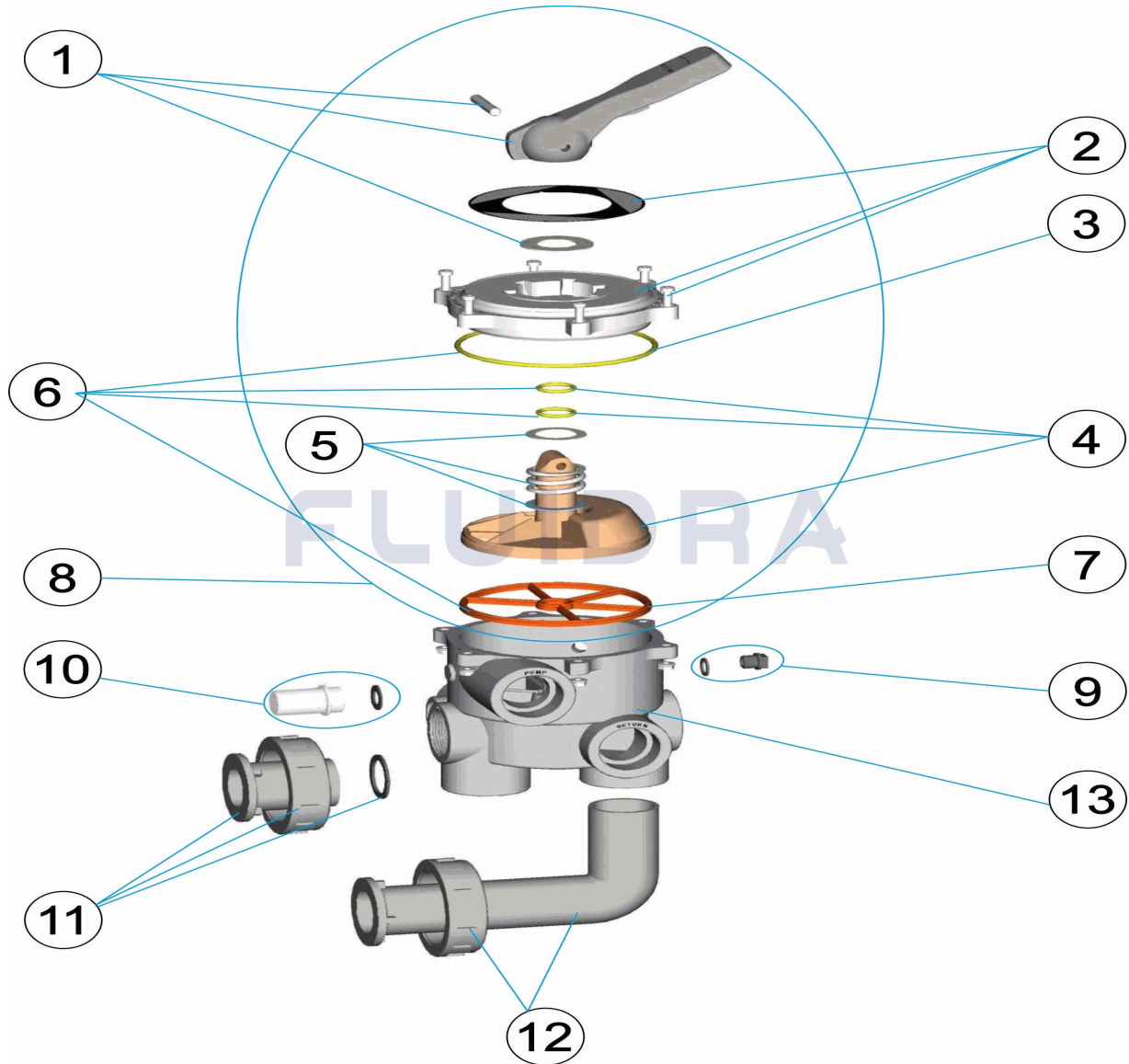


ITALIANO

POS	CODICE	DESCRIZIONE	QUANTITA'	POS	CODICE	DESCRIZIONE	QUANTITA'
1	4404120102	MANIGLIA NERA 1 1/2' - 2'		8	4404120112	COPERCHIO DI DISTRIBUZIONE NERO 1 1/2'	
2	4404120088	COPERCHIO VALVOLA 1 1/2"		9	4405010110	TAPPO SCARICO "	
3	4404120023	O-RING COPERCHIO 1 1/2"		10	4404120108	VISORE CON GUARNIZIONE	
4	4404120106	DISTRIBUTORE CON GUARNIZIONI 1 1/2' N		11	4404120075	RACCORDO DIRITTO NERO 1 1/2"	
5	4404120105	MOLLA CON RONDELLA		12	4404120076	RACCORDO A GOMITO NERO 1 1/2"	
6	4404120107	GUARNIZIONI VALVOLA 1 1/2' NUOVO		13	00598R0101	CORPO 1 1/2" POS.3 NER "	
7	4404120071	GUARNIZIONE VALVOLA 1 1/2"					

CODE **61395**

BESCHREIBUNG: **MEHRWEGVENTIL 1 1/2"**

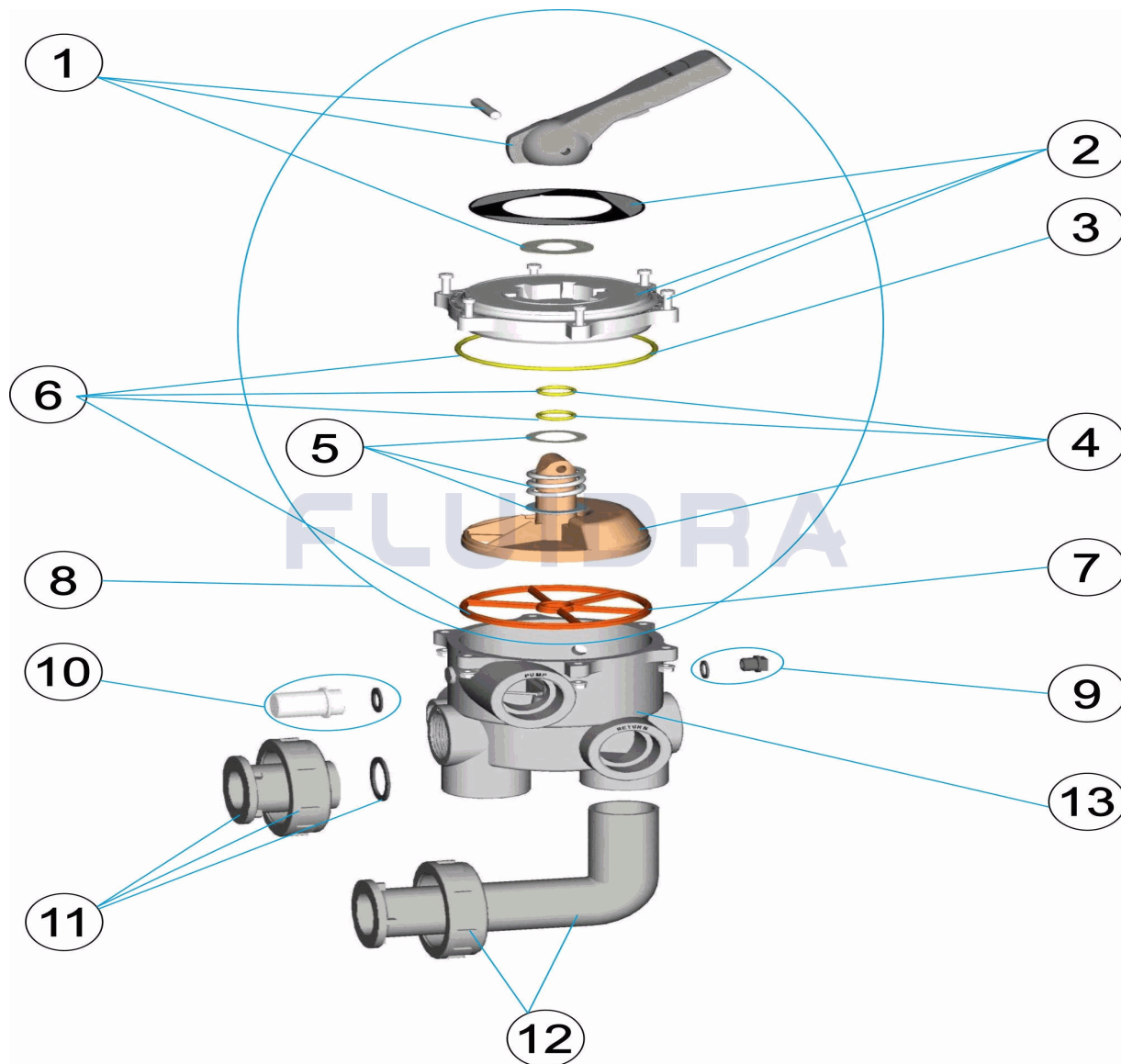


DEUTSCH

POS	CODE	BESCHREIBUNG	MENGE	POS	CODE	BESCHREIBUNG	MENGE
1	4404120102	GRIFB SCHWARZ 1 1/2' - 2'		8	4404120112	VERTEILERDECKEL SCHWARZ 1 1/2' MNB/Λ	
2	4404120088	ABDECKUNG MEHRWEGVENTIL 1 1/2"		9	4405010110	ABLASSSTOPFEN "	
3	4404120023	O-RING ABDECKUNG 1 1/2"		10	4404120108	SCHAUGLAS UND DICHTUNG	
4	4404120106	VERTEILER UND DICHTUNGEN 1 1/2' NEU\		11	4404120075	ANSCHLUSS GERADE SCHWARZ 1 1/2"	
5	4404120105	FEDER MIT UNTERLEGSCHLEIBEN		12	4404120076	ANSCHLUSSWINKEL SCHWARZ 1 1/2"	
6	4404120107	VENTILDICHTUNGEN 1 1/2' NEUVERSION		13	00598R0101	GEHÄUSE SCHWARZ 1 1/2" POSITION 3"	
7	4404120071	DICHTUNG MEHRWEGVENTIL 1 1/2"					

CODIGO **61395**

DESCRIÇÃO: **VÁLVULA SELECTORA 1 ½"**



PORTUGUES

POS	CODIGO	DESCRIÇÃO	JANTIDADE	POS	CODIGO	DESCRIÇÃO	JANTIDADE
1	4404120102	MANIPULO PRETO 1 1/2'-2'		8	4404120112	TAMPA DISTRIBUIDORA PRETA 1 1/2' MNB/†	
2	4404120088	TAMPA VALVULA 1 1/2"		9	4405010110	TAMPÃO PURGA "	
3	4404120023	JUNTA TÓRICA TAMPA 1 1/2"		10	4404120108	VISOR COM JUNTA	
4	4404120106	DISTRIBUIDOR COM JUNTAS 1 1/2"		11	4404120075	LIGAÇÃO RECTA PRETA 1 ½"	
5	4404120105	MOLA COM ANILHAS		12	4404120076	LIGAÇÃO CURVA PRETA 1 ½"	
6	4404120107	JUNTAS VÁLVULA 1 1/2'		13	00598R0101	CORPO 1 1/2" POSIÇÃO 3 NEGR "	
7	4404120071	JUNTA VALVULA 1 ½"					