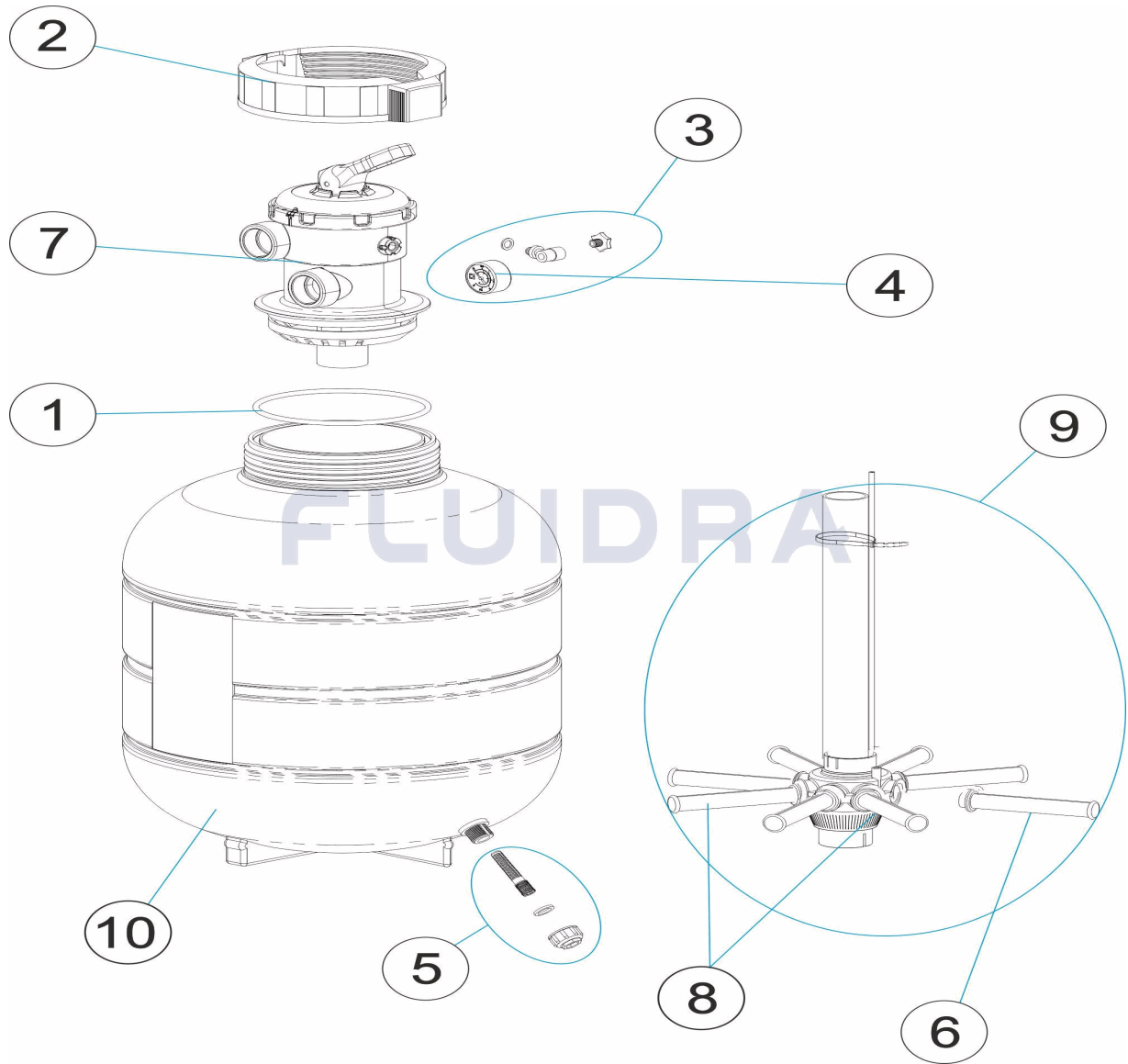


CODIGO **22407, 22408, 22409, 27811, 28253**

DESCRIPCION: **FILTRO ARENA MILLENIUM SALIDA TOP**



ESPAÑOL

POS	CODIGO	DESCRIPCION	CANTIDAD	POS	CODIGO	DESCRIPCION	CANTIDAD
1	4405010527	JUNTAS GOMA DE 3 HP A 5,5 HP		8	* 4404010075	CJTO. BRAZOS COLECTOR D. 600	
2	4404180204	TAPA ROSCADA ABIERTA		9	* 4404010264	CJTO. COLECTOR D. 380	
3	4404220101	MANOMETRO COMPLETO		9	* 4404010265	CJTO. COLECTOR D. 430	
4	4404220102	MANOMETRO 1/8" 3 KG/C "		9	* 4404010266	CJTO. COLECTOR D. 480	
5	4404220103	PURGA ARENA		9	* 4404010267	CJTO. COLECTOR D. 560	
6	* 4404300119	BRAZO COLECTOR ¼" 110 M "		9	* 4404010268	CJTO. COLECTOR D. 660	
6	* 4404300120	BRAZO COLECTOR ¼" 160 M "		10	* 28295R0100-TR	CUERPO FILTRO D. 380	
6	* 4404300712	BRAZO COLECTOR ¼" 225M "		10	* 28296R0100-TR	CUERPO FILTRO D. 430	
7	4404120002	VALVULA TOP		10	* 28297R0100-TR	CUERPO FILTRO D. 480	
8	* 4404010073	CJTO. BRAZOS COLECTOR D. 350 - 400		10	* 28298R0100-TR	CUERPO FILTRO D. 560	
8	* 4404010074	CJTO. BRAZOS COLECTOR D. 450 - 500		10	* 28299R0100-TR	CUERPO FILTRO D. 660	

CODIGO 22407, 22408, 22409, 27811, 28253

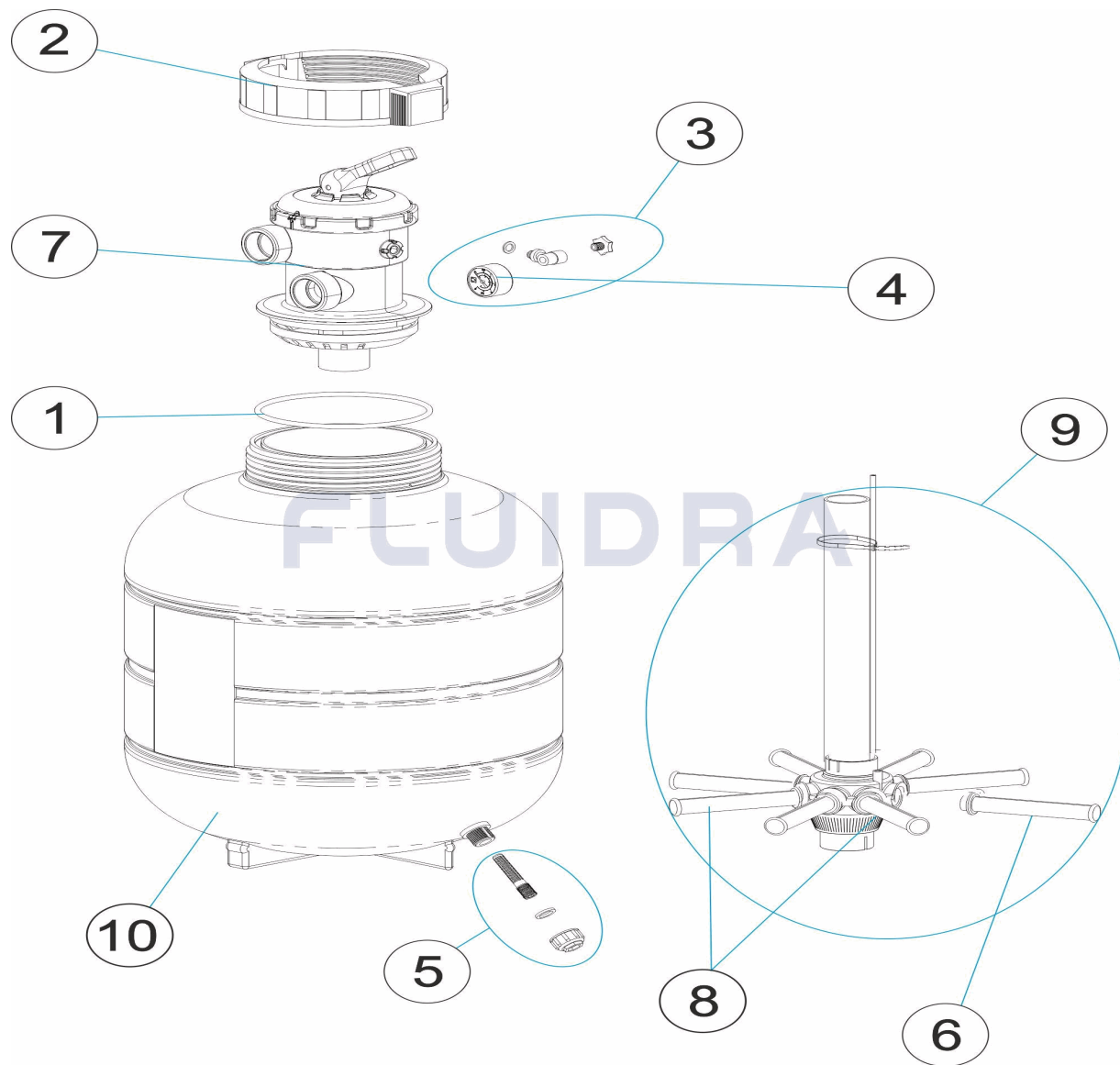
DESCRIPCION: FILTRO ARENA MILLENIUM SALIDA TOP

OBSERVACIONES

POS	CODIGO	OBSERVACIONES
6	* 4404300119	PARA: 22407 [4UT], 27811 [4UT]
6	* 4404300120	PARA: 22408 [4UT], 22409 [4UT]
6	* 4404300712	PARA: 28253 [4UT]
8	* 4404010073	PARA: 22407, 27811
8	* 4404010074	PARA: 22408, 22409
8	* 4404010075	PARA: 28253
9	* 4404010264	PARA: 27811
9	* 4404010265	PARA: 22407
9	* 4404010266	PARA: 22408
9	* 4404010267	PARA: 22409
9	* 4404010268	PARA: 28253
10	* 28295R0100-TR	PARA: 27811
10	* 28296R0100-TR	PARA: 22407
10	* 28297R0100-TR	PARA: 22408
10	* 28298R0100-TR	PARA: 22409
10	* 28299R0100-TR	PARA: 28253

CODE 22407, 22408, 22409, 27811, 28253

DESCRIPTION: FILTRE SABLE MILLENIUM SORTIE TOP



FRANCAIS

POS	CODE	DESCRIPTION	QUANTITE	POS	CODE	DESCRIPTION	QUANTITE
1	4405010527	JOINT 3 - 5,5 HP		8	* 4404010075	ENSEMBLE BRAS DE REPARTITEUR D. 600	
2	4404180204	ECROU DE COUVERCLE		9	* 4404010264	ENSEMBLE COLLECTEUR D. 380	
3	4404220101	MANOMETRE COMPLET		9	* 4404010265	ENSEMBLE COLLECTEUR D. 430	
4	4404220102	MANOMETRE 1/8" 3 KG./C "		9	* 4404010266	ENSEMBLE COLLECTEUR D. 480	
5	4404220103	PURGE SABLE		9	* 4404010267	ENSEMBLE COLLECTEUR D. 560	
6	* 4404300119	BRAS DE REPARTITEUR 3/4" 110M "		9	* 4404010268	ENSEMBLE COLLECTEUR D. 660	
6	* 4404300120	BRAS DE REPARTITEUR 3/4" 160M "		10	* 28295R0100-TR	CORPS FILTRE D. 380	
6	* 4404300712	BRAS DE REPARTITEUR 3/4" 225M "		10	* 28296R0100-TR	CORPS FILTRE D. 430	
7	4404120002	VANNE 6 VOIES 10 M3		10	* 28297R0100-TR	CORPS FILTRE D. 480	
8	* 4404010073	ENSEMBLE BRAS DE REPARTITEUR D. 350		10	* 28298R0100-TR	CORPS FILTRE D. 560	
8	* 4404010074	ENSEMBLE BRAS DE REPARTITEUR D. 450		10	* 28299R0100-TR	CORPS FILTRE D. 660	

CODE **22407, 22408, 22409, 27811, 28253**

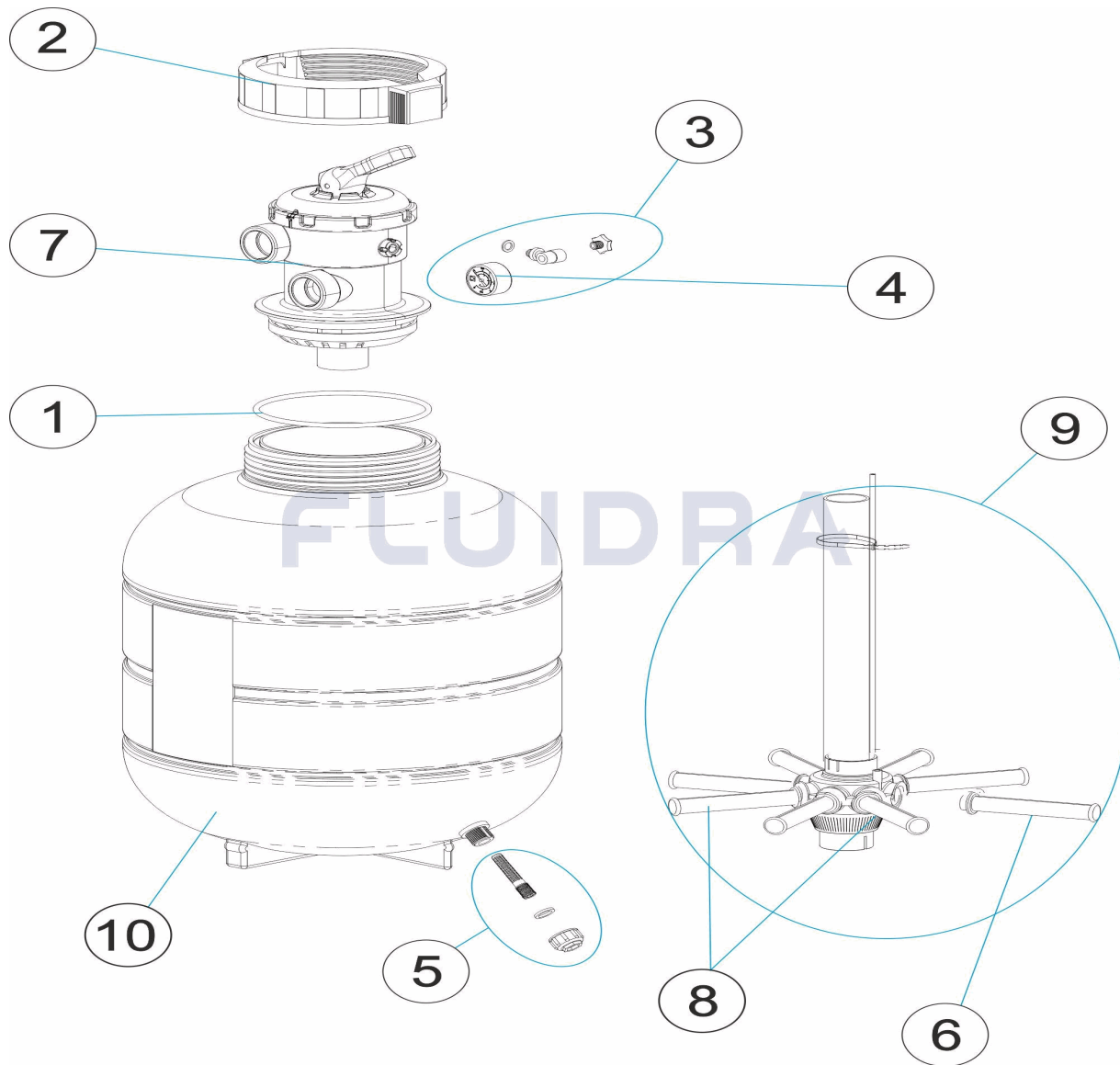
DESCRIPTION: **FILTRE SABLE MILLENIUM SORTIE TOP**

OBSERVATIONS

POS	CODE	OBSERVATIONS
6	* 4404300119	POUR: 22407 [4UT], 27811 [4UT]
6	* 4404300120	POUR: 22408 [4UT], 22409 [4UT]
6	* 4404300712	POUR: 28253 [4UT]
8	* 4404010073	POUR: 22407, 27811
8	* 4404010074	POUR: 22408, 22409
8	* 4404010075	POUR: 28253
9	* 4404010264	POUR: 27811
9	* 4404010265	POUR: 22407
9	* 4404010266	POUR: 22408
9	* 4404010267	POUR: 22409
9	* 4404010268	POUR: 28253
10	* 28295R0100-TR	POUR: 27811
10	* 28296R0100-TR	POUR: 22407
10	* 28297R0100-TR	POUR: 22408
10	* 28298R0100-TR	POUR: 22409
10	* 28299R0100-TR	POUR: 28253

CODE 22407, 22408, 22409, 27811, 28253

DESCRIPTION: MILLENIUM SAND FILTER TOP OUTLET



ENGLISH

POS	CODE	DESCRIPTION	QUANTITY	POS	CODE	DESCRIPTION	QUANTITY
1	4405010527	GASKETS 3 - 5,5 HP		8	* 4404010075	MANIFOLD ARM ASSEMBLY D. 600	
2	4404180204	OPEN THREADED COLLAR		9	* 4404010264	MANIFOLD ASSEMBLY D. 380	
3	4404220101	COMPLETE PRESSURE GAUGE UNIT		9	* 4404010265	MANIFOLD ASSEMBLY D. 430	
4	4404220102	PRESSURE GAUGE 1/8" 3 KG./C "		9	* 4404010266	MANIFOLD ASSEMBLY D. 480	
5	4404220103	SAND PURGE		9	* 4404010267	MANIFOLD ASSEMBLY D. 560	
6	* 4404300119	MANIFOLD ARM 3/4" 110 M "		9	* 4404010268	MANIFOLD ASSEMBLY D. 660	
6	* 4404300120	MANIFOLD ARM 3/4" 160 M "		10	* 28295R0100-TR	BODY FILTER D.380	
6	* 4404300712	MANIFOLD ARM 3/4" 225 M "		10	* 28296R0100-TR	BODY FILTER D.430	
7	4404120002	BAYONETTE MULTIPORT VALVE		10	* 28297R0100-TR	BODY FILTER D.480	
8	* 4404010073	MANIFOLD ARM ASSEMBLY D. 350		10	* 28298R0100-TR	BODY FILTER D.560	
8	* 4404010074	MANIFOLD ARM ASSEMBLY D. 450 - 500		10	* 28299R0100-TR	BODY FILTER D. 660	

CODE **22407, 22408, 22409, 27811, 28253**

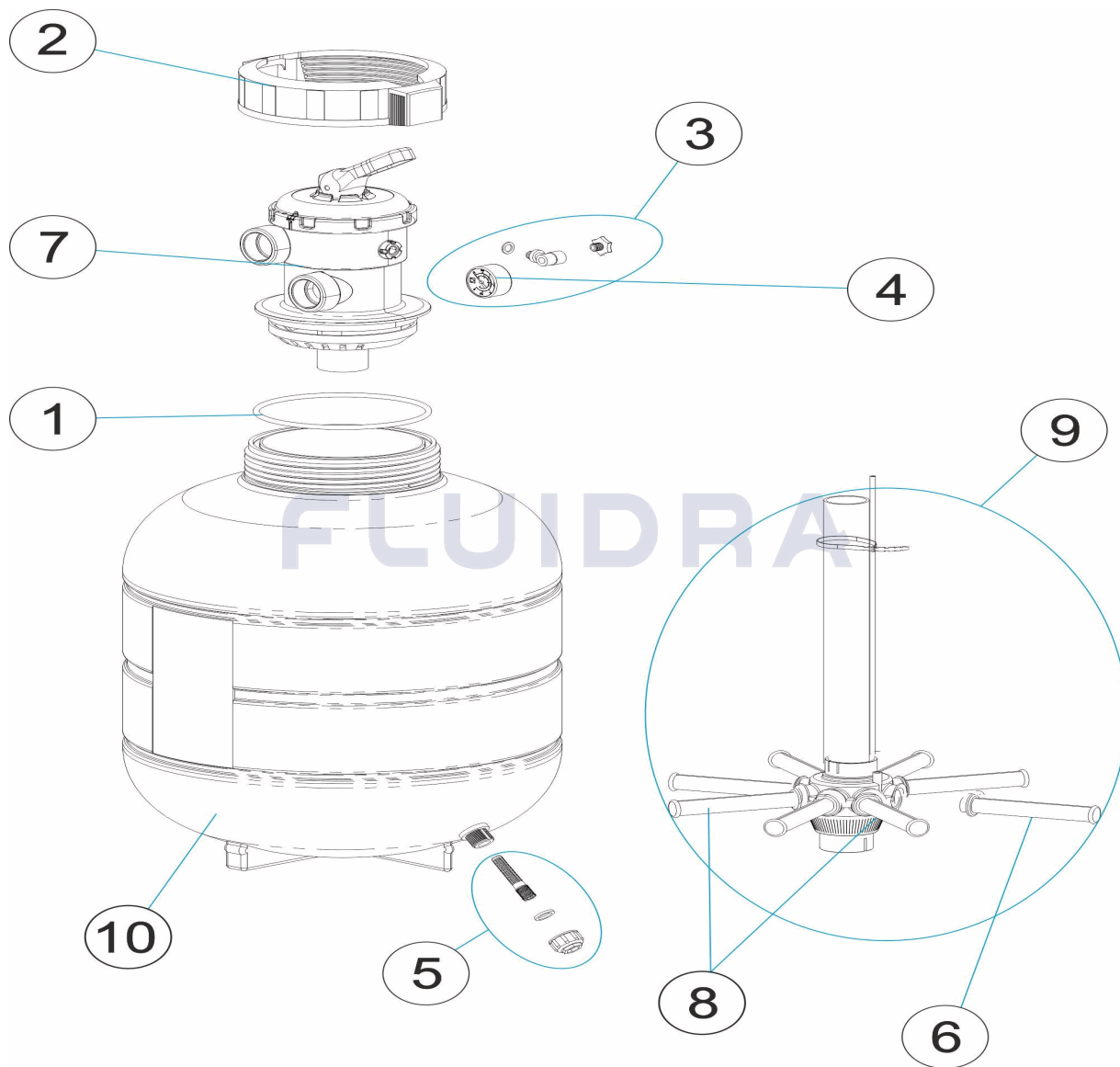
DESCRIPTION: **MILLENIUM SAND FILTER TOP OUTLET**

OBSERVATIONS

POS	CODE	OBSERVATIONS
6	* 4404300119	FOR: 22407 [4UT], 27811 [4UT]
6	* 4404300120	FOR: 22408 [4UT], 22409 [4UT]
6	* 4404300712	FOR: 28253 [4UT]
8	* 4404010073	FOR: 22407, 27811
8	* 4404010074	FOR: 22408, 22409
8	* 4404010075	FOR: 28253
9	* 4404010264	FOR: 27811
9	* 4404010265	FOR: 22407
9	* 4404010266	FOR: 22408
9	* 4404010267	FOR: 22409
9	* 4404010268	FOR: 28253
10	* 28295R0100-TR	FOR: 27811
10	* 28296R0100-TR	FOR: 22407
10	* 28297R0100-TR	FOR: 22408
10	* 28298R0100-TR	FOR: 22409
10	* 28299R0100-TR	FOR: 28253

CODICE 22407, 22408, 22409, 27811, 28253

DESCRIZIONE: FILTRO SABBIA MILLENIUM USCITA TOP



ITALIANO

POS	CODICE	DESCRIZIONE	QUANTITA'	POS	CODICE	DESCRIZIONE	QUANTITA'
1	4405010527	GUARNIZIONI 3 - 5,5 HP		8	* 4404010075	GRUPPO CANDELOTTO COLLECTORE D. 6	
2	4404180204	GHIERA COPERCHIO		9	* 4404010264	KIT COLLETTORE D. 380	
3	4404220101	MANOMETRO COMPLETO		9	* 4404010265	KIT COLLETTORE D. 430	
4	4404220102	MANOMETRO 1/8" 3 KG./C "		9	* 4404010266	KIT COLLETTORE D. 480	
5	4404220103	SCARICO SABBIA		9	* 4404010267	KIT COLLETTORE D. 560	
6	* 4404300119	CANDELOTTO COLLECTORE 3/4" 110M "		9	* 4404010268	KIT COLLETTORE D. 660	
6	* 4404300120	CANDELOTTO COLLECTORE 3/4" 160M "		10	* 28295R0100-TR	CORPO FILTRO D. 380	
6	* 4404300712	CANDELOTTO COLLECTORE 3/4" 225M "		10	* 28296R0100-TR	CORPO FILTRO D. 430	
7	4404120002	VALVOLA TOP A 6 VIE		10	* 28297R0100-TR	CORPO FILTRO D. 480	
8	* 4404010073	GRUPPO CANDELOTTO COLLECTORE D. 3		10	* 28298R0100-TR	CORPO FILTRO D. 560	
8	* 4404010074	GRUPPO CANDELOTTO COLLECTORE D. 4		10	* 28299R0100-TR	CORPO FILTRO D. 660	

CODICE **22407, 22408, 22409, 27811, 28253**

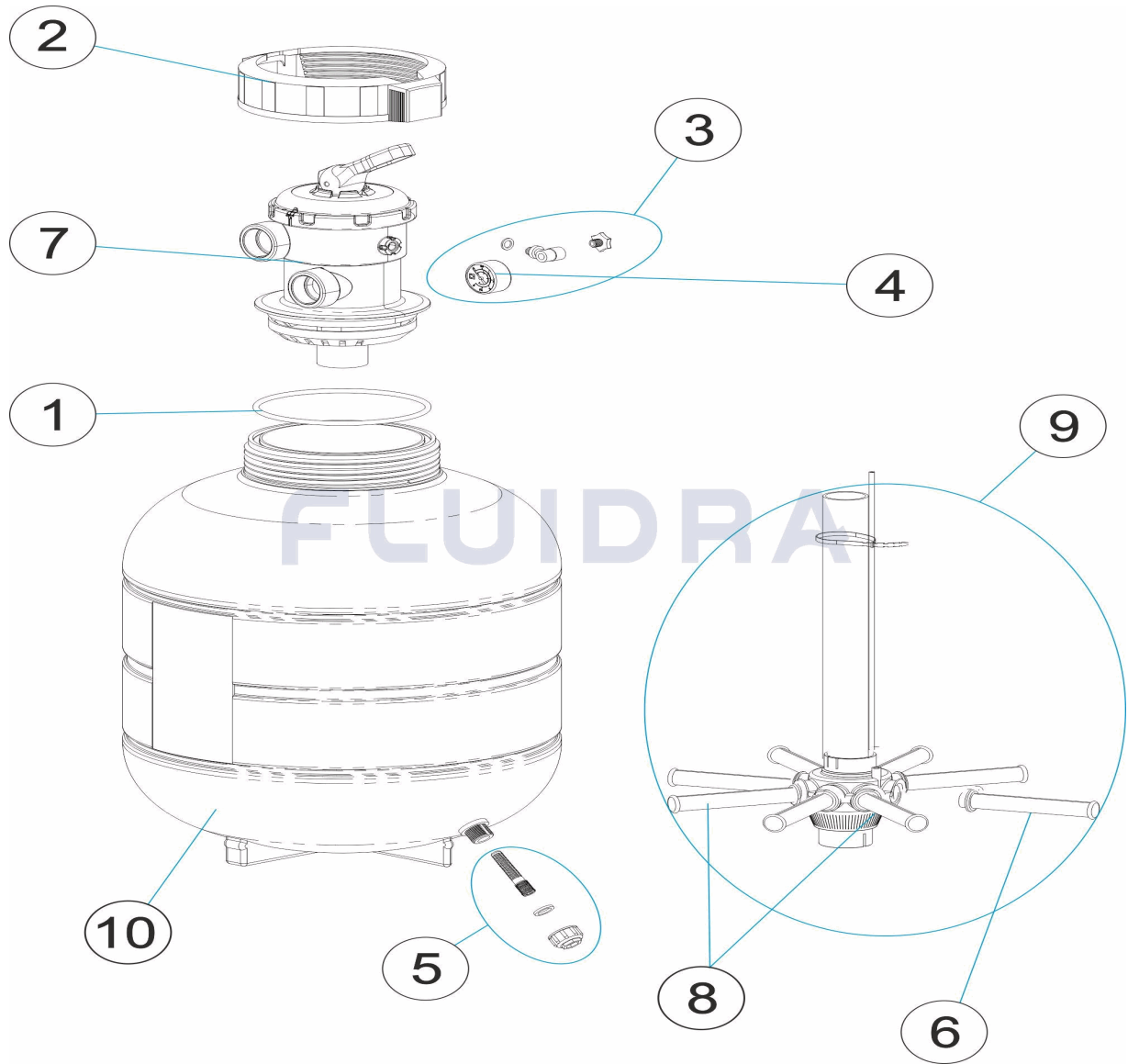
DESCRIZIONE: FILTRO SABBIA MILLENIUM USCITA TOP

OSSERVAZIONI

POS	CODICE	OSSERVAZIONI
6	* 4404300119	PER: 22407 [4UT], 27811 [4UT]
6	* 4404300120	PER: 22408 [4UT], 22409 [4UT]
6	* 4404300712	PER: 28253 [4UT]
8	* 4404010073	PER: 22407, 27811
8	* 4404010074	PER: 22408, 22409
8	* 4404010075	PER: 28253
9	* 4404010264	PER: 27811
9	* 4404010265	PER: 22407
9	* 4404010266	PER: 22408
9	* 4404010267	PER: 22409
9	* 4404010268	PER: 28253
10	* 28295R0100-TR	PER: 27811
10	* 28296R0100-TR	PER: 22407
10	* 28297R0100-TR	PER: 22408
10	* 28298R0100-TR	PER: 22409
10	* 28299R0100-TR	PER: 28253

CODE **22407, 22408, 22409, 27811, 28253**

BESCHREIBUNG: **FILTER SAND MILLENIUM AUSGANG TOP**



DEUTSCH

POS	CODE	BESCHREIBUNG	MENGE	POS	CODE	BESCHREIBUNG	MENGE
1	4405010527	GUMMIDICHTUNGEN 3 HP - 5,5 HP		8	* 4404010075	SET FILTERSTERN-SCHLITZROHR D. 600	
2	4404180204	ABDECKUNG GEWINDE OFFEN		9	* 4404010264	SAMMELROHRSET D. 380	
3	4404220101	MANOMETER KOMPLETT		9	* 4404010265	SAMMELROHRSET D. 430	
4	4404220102	MANOMETER 1/8" 3 KG/C "		9	* 4404010266	SAMMELROHRSET D. 480	
5	4404220103	SANDENTLEERUNG		9	* 4404010267	SAMMELROHRSET D. 560	
6	* 4404300119	FILTERSTERN-SCHLITZROHR 3/4" 110M "		9	* 4404010268	SAMMELROHRSET D. 660	
6	* 4404300120	FILTERSTERN-SCHLITZROHR 3/4" 160 M "		10	* 28295R0100-TR	FILTERGEHÄUSE D. 380	
6	* 4404300712	FILTERSTERN-SCHLITZROHR 3/4" 225M "		10	* 28296R0100-TR	FILTERGEHÄUSE D. 430	
7	4404120002	VENTIL TOP		10	* 28297R0100-TR	FILTERGEHÄUSE D. 480	
8	* 4404010073	SET FILTERSTERN-SCHLITZROHR D. 350 -		10	* 28298R0100-TR	FILTERGEHÄUSE D. 560	
8	* 4404010074	SET FILTERSTERN-SCHLITZROHR D. 450 -		10	* 28299R0100-TR	FILTERGEHÄUSE D. 660	

CODE **22407, 22408, 22409, 27811, 28253**

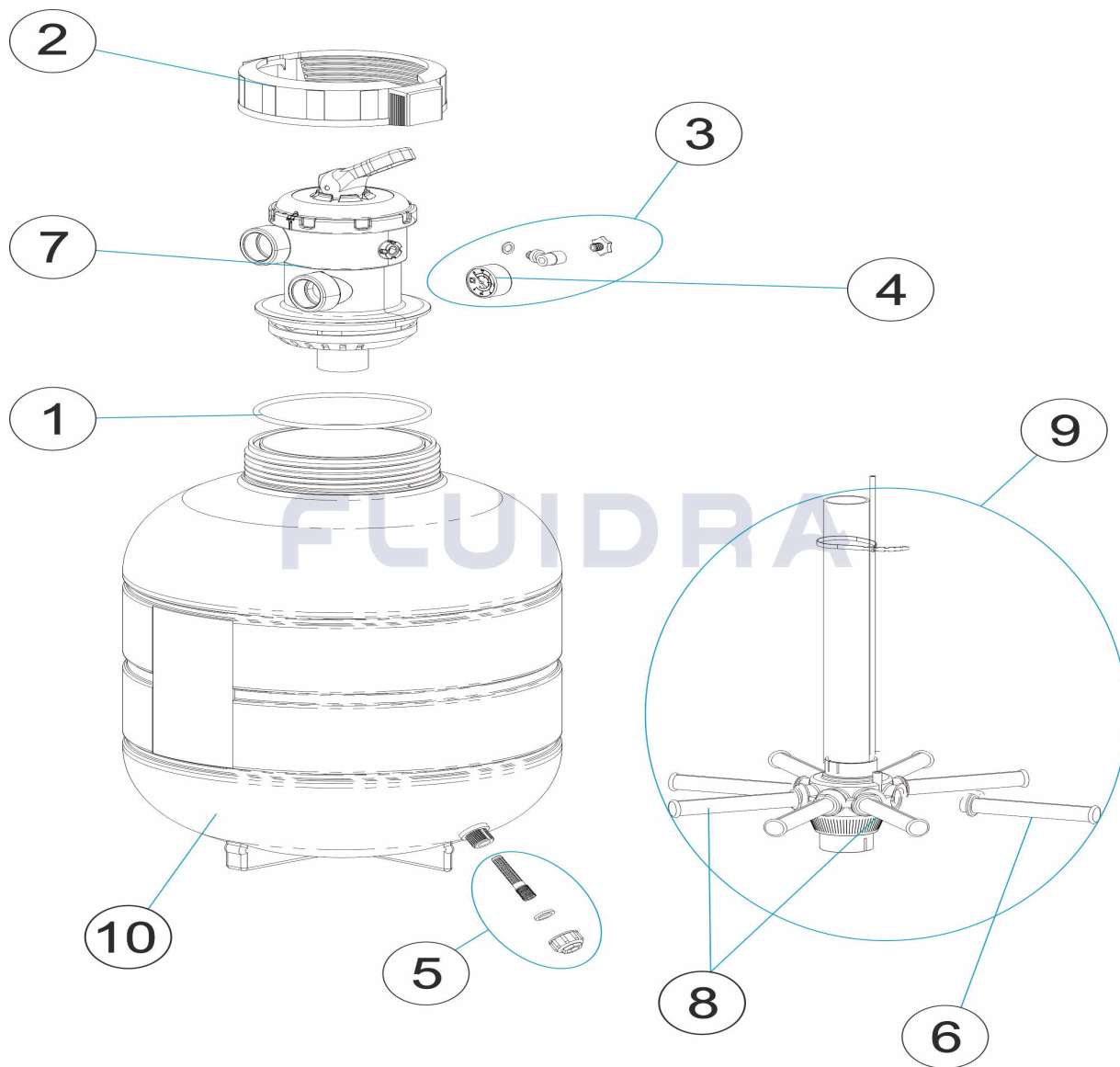
BESCHREIBUNG: **FILTER SAND MILLENIUM AUSGANG TOP**

HINWEISE

POS	CODE	HINWEISE
6	* 4404300119	FÜR: 22407 [4UT], 27811 [4UT]
6	* 4404300120	FÜR: 22408 [4UT], 22409 [4UT]
6	* 4404300712	FÜR: 28253 [4UT]
8	* 4404010073	FÜR: 22407, 27811
8	* 4404010074	FÜR: 22408, 22409
8	* 4404010075	FÜR: 28253
9	* 4404010264	FÜR: 27811
9	* 4404010265	FÜR: 22407
9	* 4404010266	FÜR: 22408
9	* 4404010267	FÜR: 22409
9	* 4404010268	FÜR: 28253
10	* 28295R0100-TR	FÜR: 27811
10	* 28296R0100-TR	FÜR: 22407
10	* 28297R0100-TR	FÜR: 22408
10	* 28298R0100-TR	FÜR: 22409
10	* 28299R0100-TR	FÜR: 28253

CODIGO **22407, 22408, 22409, 27811, 28253**

DESCRIÇÃO: **FILTRO ARENA MILLENIUM SAÍDA TOP**



PORTUGUES

POS	CODIGO	DESCRIÇÃO	JANTIDADE	POS	CODIGO	DESCRIÇÃO	JANTIDADE
1	4405010527	JUNTAS BORRACHA 3 - 5,5 HP		8	* 4404010075	CJTO. BRAÇO COLECTOR D. 600	
2	4404180204	TAMPA ROSCADA ABERTA		9	* 4404010264	CJTO. COLECTOR D. 380	
3	4404220101	MANÓMETRO COMPLETO		9	* 4404010265	CJTO. COLECTOR D. 430	
4	4404220102	MANOMETRO 1/8" 3 KG./C "		9	* 4404010266	CJTO. COLECTOR D. 480	
5	4404220103	PURGA AREIA		9	* 4404010267	CJTO. COLECTOR D. 560	
6	* 4404300119	BRAÇO COLECTOR 3/4" 110M "		9	* 4404010268	CJTO. COLECTOR D. 660	
6	* 4404300120	BRAÇO COLECTOR 3/4" 160M "		10	* 28295R0100-TR	CORPO FILTRO D. 380	
6	* 4404300712	BRAÇO COLECTOR 3/4" 225M "		10	* 28296R0100-TR	CORPO FILTRO D. 430	
7	4404120002	VALVULA SELECTORA TOP		10	* 28297R0100-TR	CORPO FILTRO D. 480	
8	* 4404010073	CJTO. BRAÇO COLECTOR D. 350		10	* 28298R0100-TR	CORPO FILTRO D. 560	
8	* 4404010074	CJTO. BRAÇO COLECTOR D. 450 - 500		10	* 28299R0100-TR	CORPO FILTRO D. 660	

CODIGO 22407, 22408, 22409, 27811, 28253

DESCRIÇÃO: FILTRO ARENA MILLENIUM SAÍDA TOP

OBSERVAÇÕES

POS	CODIGO	OBSERVAÇÕES
6	* 4404300119	PARA: 22407 [4UT], 27811 [4UT]
6	* 4404300120	PARA: 22408 [4UT], 22409 [4UT]
6	* 4404300712	PARA: 28253 [4UT]
8	* 4404010073	PARA: 22407, 27811
8	* 4404010074	PARA: 22408, 22409
8	* 4404010075	PARA: 28253
9	* 4404010264	PARA: 27811
9	* 4404010265	PARA: 22407
9	* 4404010266	PARA: 22408
9	* 4404010267	PARA: 22409
9	* 4404010268	PARA: 28253
10	* 28295R0100-TR	PARA: 27811
10	* 28296R0100-TR	PARA: 22407
10	* 28297R0100-TR	PARA: 22408
10	* 28298R0100-TR	PARA: 22409
10	* 28299R0100-TR	PARA: 28253