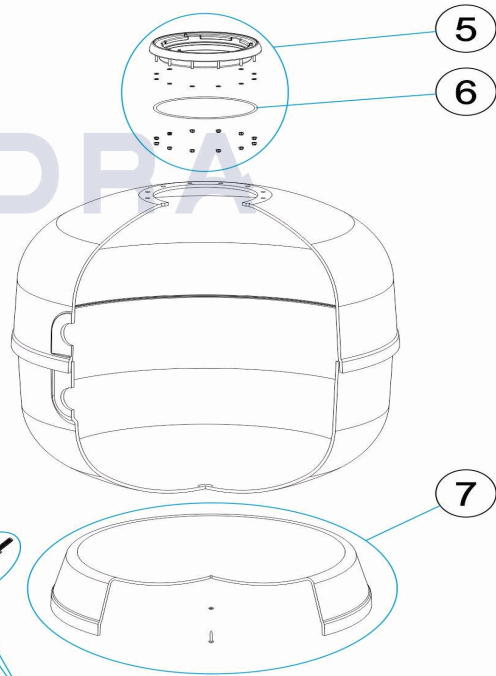
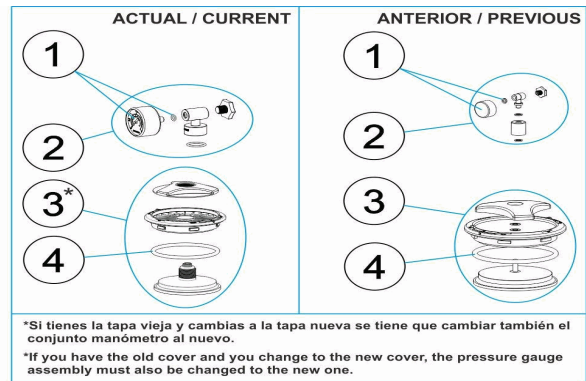
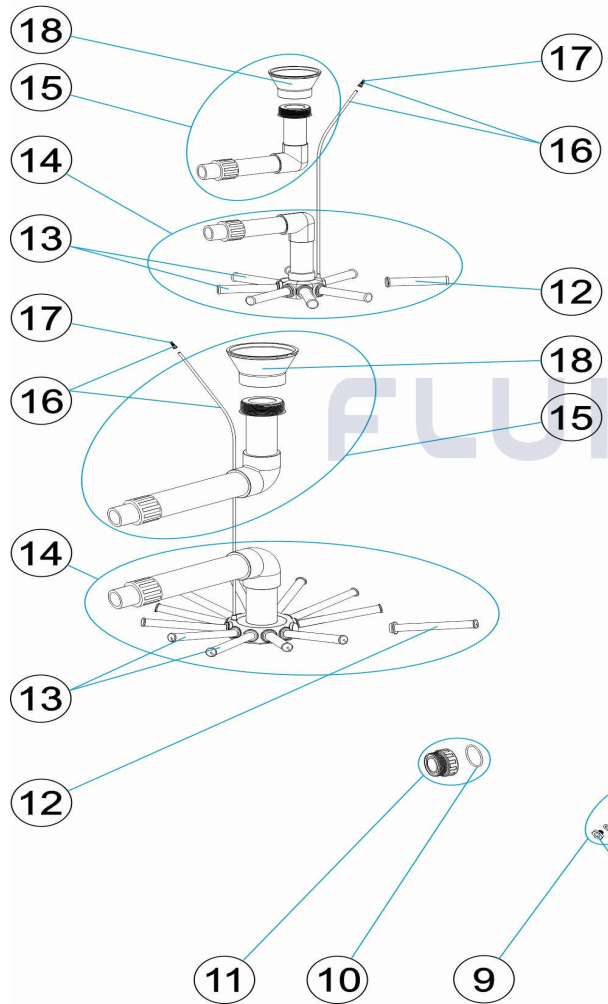


CODIGO **28289, 28290, 28291, 28292, 28293, 28294, 28295, 28296**

DESCRIPCION: **FILTRO ASTER 4 BAR**



ESPAÑOL

POS	CODIGO	DESCRIPCION	CANTIDAD	POS	CODIGO	DESCRIPCION	CANTIDAD
1	4404161477	MANOMETRO 1/8" 6 KG/CM "		9	4404010108	PURGA AGUA 3/8"	
2	* 4404040160	MANOMETRO COMPLETO 6 KG.		10	4404040115	JUNTA TORICA D. 60X8	
2	* 4404160323	MANOMETRO COMPLETO 6 KG.		11	* 4404040103	RACORD 1 1/2" + JUNTA TORIC "	
3	* 4404020040	TAPA RAPID COMPLETA		11	* 4404040112	RACORD SALIDA 2" + JUNTA TORIC "	
3	* 4404020102	TAPA RAPID COMPLETA		11	* 4404290108	RACOR SALIDA 2 1/2" + JUNTA TORIC "	
4	4404020111	JUNTA TAPA		12	* 4404300917	BRAZO COLECTOR 1" 110 M "	
5	4404020108	ARO TAPA COMPLETO		12	* 4404300915	BRAZO COLECTOR 1" 175 M "	
6	4404020116	JUNTA TORICA 255X4		12	* 4404300916	BRAZO COLECTOR 1" 225 M "	
7	* 4404040096	PIE FILTRO D. 350		12	* 4404290109	BRAZO COLECTOR 1" 265 M "	
7	* 4404010088	PIE FILTRO D. 450		13	* 4404010025	CJTO. BRAZOS COLECTOR D. 400	
7	* 4404010112	PIE FILTRO D.500		13	* 4404010026	CJTO. BRAZOS COLECTOR	
7	* 4404010113	PIE FILTRO D. 600		13	* 4404010028	CJTO. BRAZOS COLECTOR D. 650	
7	* 4404300924	PIE FILTRO D. 750		13	* 4404010048	CJTO. BRAZOS COLECTOR D. 750	

CODIGO 28289, 28290, 28291, 28292, 28293, 28294, 28295, 28296

DESCRIPCION: FILTRO ASTER 4 BAR

7	* 4404010093	PIE FILTRO D. 950	14	* 4404010131	CJTO. COLECTOR D. 350
8	4404040113	TAPON PURGA Y JUNTA	14	* 4404010132	CJTO. COLECTOR D.450
14	* 4404010114	CJTO. COLECTOR D. 500	15	* 4404010137	CJTO. DIFUSOR ASTER 650
14	* 4404010115	CJTO. COLECTOR D. 600	15	* 4404010120	CJTO. DIFUSOR D. 750
14	* 4404010133	CJTO. COLECTOR D.650	15	* 4404010127	CJTO. DIFUSOR D. 900- 2 ½" T. HEMBRA
14	* 4404010116	CJTO. COLECTOR D. 750	15	* 4404010123	CJTO. DIFUSOR D. 900- 2"
14	* 4404040127	CJTO. COLECTOR D. 900 T. MACHO	16	* 4404301003	PURGA AIRE + TUBO L=670
14	* 4404010117	CJTO. COLECTOR D. 900	16	* 4404300707	TUBO RIGIDO L-845
15	* 4404010135	CJTO. DIFUSOR ASTER 350	17	4404040108	PURGA AIRE
15	* 4404010136	CJTO. DIFUSOR ASTER 450	18	* 4404301004	CONO DIFUSOR D.50
15	* 4404010118	CJTO. DIFUSOR D. 500	18	* 4404300910	CONO DIFUSOR D. 63
15	* 4404010119	CJTO. DIFUSOR D. 600	18	* 4404190324	CONO DIFUSOR D.75

CODIGO 28289, 28290, 28291, 28292, 28293, 28294, 28295, 28296

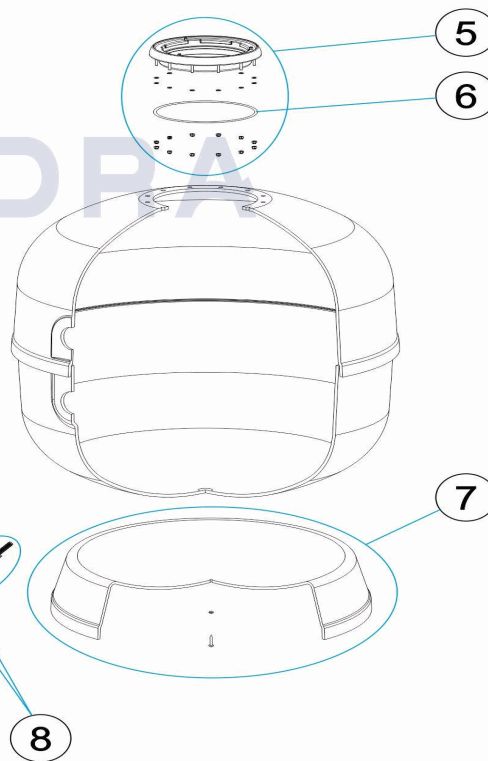
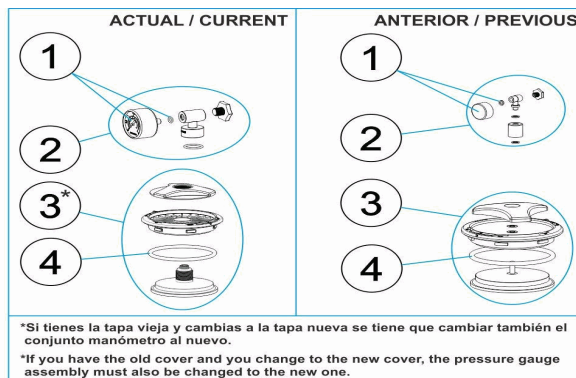
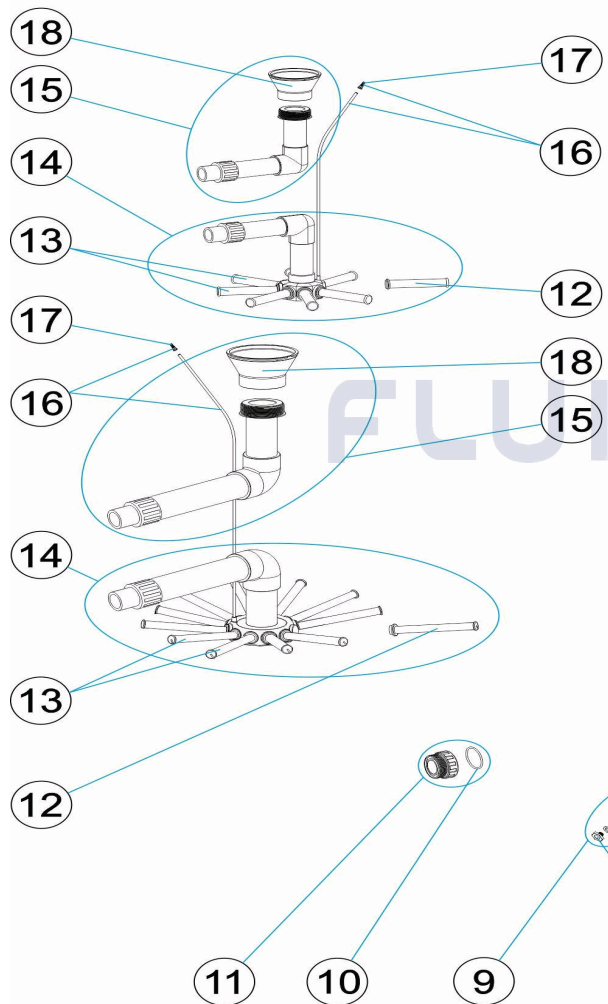
DESCRIPCION: FILTRO ASTER 4 BAR

OBSERVACIONES

POS	CODIGO	OBSERVACIONES
2	* 4404040160	PARA: MODELO ACTUAL / CURRENT MODEL
2	* 4404160323	PARA: MODELO ANTERIOR / PREVIOUS MODEL
3	* 4404020040	PARA: MODELO ACTUAL / CURRENT MODEL
3	* 4404020102	PARA: MODELO ANTERIOR / PREVIOUS MODEL
7	* 4404040096	PARA: 28289
7	* 4404010088	PARA: 28290
7	* 4404010112	PARA: 28291
7	* 4404010113	PARA: 28292, 28293
7	* 4404300924	PARA: 28294
7	* 4404010093	PARA: 28295, 28296
11	* 4404040103	PARA: 28289, 28290, 28291, 28292, 28293
11	* 4404040112	PARA: 28294, 28296
11	* 4404290108	PARA: 28295
12	* 4404300917	PARA: 28289 [4UT], 28290 [4UT], 28291 [4UT]
12	* 4404300915	PARA: 28292 [4UT], 28293 [4UT]
12	* 4404300916	PARA: 28294 [4UT]
12	* 4404290109	PARA: 28295 [6UT], 28296 [6UT]
13	* 4404010025	PARA: 28289, 28290, 28291
13	* 4404010026	PARA: 28292, 28293
13	* 4404010028	PARA: 28294
13	* 4404010048	PARA: 28295, 28296
14	* 4404010131	PARA: 28289
14	* 4404010132	PARA: 28290
14	* 4404010114	PARA: 28291
14	* 4404010115	PARA: 28292
14	* 4404010133	PARA: 28293
14	* 4404010116	PARA: 28294
14	* 4404040127	PARA: 28295
14	* 4404010117	PARA: 28296
15	* 4404010135	PARA: 28289
15	* 4404010136	PARA: 28290
15	* 4404010118	PARA: 28291
15	* 4404010119	PARA: 28292
15	* 4404010137	PARA: 28293
15	* 4404010120	PARA: 28294
15	* 4404010127	PARA: 28295
15	* 4404010123	PARA: 28296
16	* 4404301003	PARA: 28289, 28291, 28292, 28293, 28294
16	* 4404300707	PARA: 28290, 28295, 28296
18	* 4404301004	PARA: 28289, 28290, 28291, 28292, 28293
18	* 4404300910	PARA: 28294, 28296
18	* 4404190324	PARA: 28295

CODE 28289, 28290, 28291, 28292, 28293, 28294, 28295, 28296

DESCRIPTION: FILTRE ASTER 4 BAR



FRANCAIS

POS	CODE	DESCRIPTION	QUANTITE	POS	CODE	DESCRIPTION	QUANTITE
1	4404161477	MANOMETRE 1/8" 6 KG./C "		9	4404010108	PURGE D'EAU 3/8"	
2	* 4404040160	MANOMETRE COMPLET 6 KG.		10	4404040115	JOINT TORIQUE D 60X8	
2	* 4404160323	MANOMETRE COMPLET 6 KG.		11	* 4404040103	RACCORD 1 1/2" + JOINT TORIQU "	
3	* 4404020040	COUVERCLE RAPID COMPLET		11	* 4404040112	RACCORD SORTIE 2" + JOINT TORIQU "	
3	* 4404020102	COUVERCLE RAPID COMPLET		11	* 4404290108	RACCOR SORTIE 2 1/2" + JOINT TORIQU "	
4	4404020111	JOINT DE COUVERCLE		12	* 4404300917	BRAS DE REPARTITEUR 1" 110 M "	
5	4404020108	BRIDE DE COUVERCLE COMPLETE		12	* 4404300915	BRAS DE REPARTITEUR 1" 175 M "	
6	4404020116	JOINT TORIQUE 255X4		12	* 4404300916	BRAS DE REPARTITEUR 1" 225 M "	
7	* 4404040096	SOCLE FILTRE D. 350		12	* 4404290109	BRAS DE REPARTITEUR 1" 265 M/M "	
7	* 4404010088	SOCLE FILTRE D. 450		13	* 4404010025	ENSEMBLE BRAS DE REPARTITEUR D. 400	
7	* 4404010112	SOCLE FILTRE D. 500		13	* 4404010026	ENSEMBLE BRAS DE REPARTITEUR	
7	* 4404010113	SOCLE FILTRE D. 600		13	* 4404010028	ENSEMBLE BRAS DE REPARTITEUR D. 650	
7	* 4404300924	SOCLE FILTRE D 750		13	* 4404010048	ENSEMBLE BRAS DE REPARTITEUR D. 750	

CODE **28289, 28290, 28291, 28292, 28293, 28294, 28295, 28296**

DESCRIPTION: **FILTRE ASTER 4 BAR**

7	* 4404010093	SOCLE FILTRE D. 950	14	* 4404010131	ENSEMBLE COLLECTEUR D. 350
8	4404040113	BOUCHON PURGE ET JOINT	14	* 4404010132	ENSEMBLE COLLECTEUR D. 450
14	* 4404010114	ENSEMBLE COLLECTEUR D. 500	15	* 4404010137	ENSEMBLE DIFFUSEUR ASTER D. 650
14	* 4404010115	ENSEMBLE COLLECTEUR D. 600	15	* 4404010120	ENSEMBLE DIFFUSEUR D. 750
14	* 4404010133	ENSEMBLE COLLECTEUR D. 650	15	* 4404010127	ENSEMBLE DIFFUSEUR D. 900 - 2 1/2" FEME
14	* 4404010116	ENSEMBLE COLLECTEUR D. 750	15	* 4404010123	ENSEMBLE DIFFUSEUR D. 900 - 2"
14	* 4404040127	ENSEMBLE COLLECTEUR D. 900 MÂLE	16	* 4404301003	PURGE AIR + TUBE L=670
14	* 4404010117	ENSEMBLE COLLECTEUR D. 900	16	* 4404300707	TUBE RIGIDE L-845
15	* 4404010135	ENSEMBLE DIFFUSEUR ASTER D. 350	17	4404040108	PURGE D'AIR
15	* 4404010136	ENSEMBLE DIFFUSEUR ASTER D. 450	18	* 4404301004	DIFUSOR CONIQUE SUPÉRIOR D. 50
15	* 4404010118	ENSEMBLE DIFFUSEUR D. 500	18	* 4404300910	DIFUSOR CONIQUE SUPÉRIOR D. 63
15	* 4404010119	ENSEMBLE DIFFUSEUR D. 600	18	* 4404190324	DIFUSOR CONIQUE SUPÉRIOR D. 75

CODE **28289, 28290, 28291, 28292, 28293, 28294, 28295, 28296**

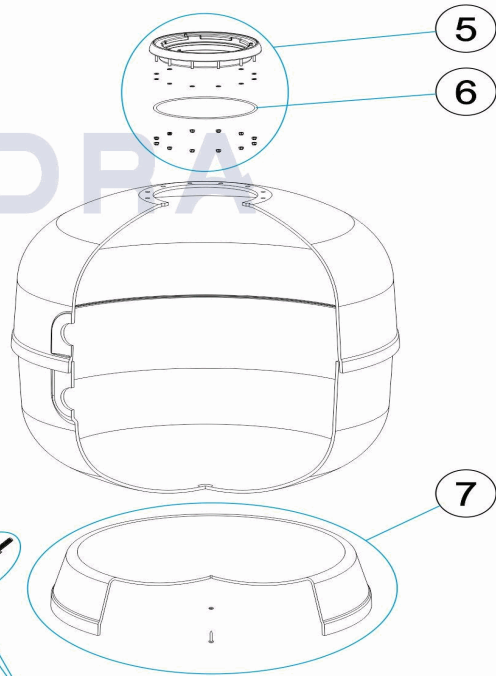
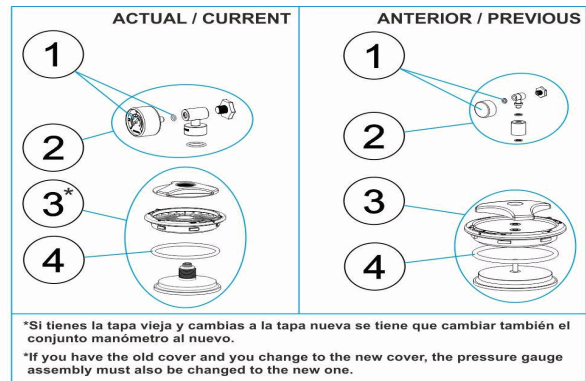
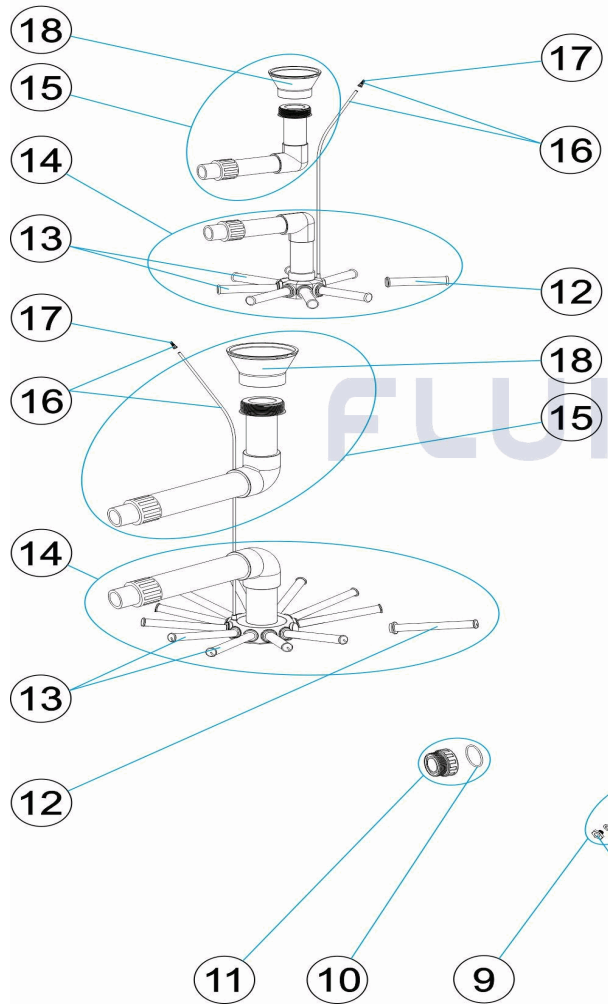
DESCRIPTION: **FILTRE ASTER 4 BAR**

OBSERVATIONS

POS	CODE	OBSERVATIONS
2	* 4404040160	POUR: MODELO ACTUAL / CURRENT MODEL
2	* 4404160323	POUR: MODELO ANTERIOR / PREVIOUS MODEL
3	* 4404020040	POUR: MODELO ACTUAL / CURRENT MODEL
3	* 4404020102	POUR: MODELO ANTERIOR / PREVIOUS MODEL
7	* 4404040096	POUR: 28289
7	* 4404010088	POUR: 28290
7	* 4404010112	POUR: 28291
7	* 4404010113	POUR: 28292, 28293
7	* 4404300924	POUR: 28294
7	* 4404010093	POUR: 28295, 28296
11	* 4404040103	POUR: 28289, 28290, 28291, 28292, 28293
11	* 4404040112	POUR: 28294, 28296
11	* 4404290108	POUR: 28295
12	* 4404300917	POUR: 28289 [4UT], 28290 [4UT], 28291 [4UT]
12	* 4404300915	POUR: 28292 [4UT], 28293 [4UT]
12	* 4404300916	POUR: 28294 [4UT]
12	* 4404290109	POUR: 28295 [6UT], 28296 [6UT]
13	* 4404010025	POUR: 28289, 28290, 28291
13	* 4404010026	POUR: 28292, 28293
13	* 4404010028	POUR: 28294
13	* 4404010048	POUR: 28295, 28296
14	* 4404010131	POUR: 28289
14	* 4404010132	POUR: 28290
14	* 4404010114	POUR: 28291
14	* 4404010115	POUR: 28292
14	* 4404010133	POUR: 28293
14	* 4404010116	POUR: 28294
14	* 4404040127	POUR: 28295
14	* 4404010117	POUR: 28296
15	* 4404010135	POUR: 28289
15	* 4404010136	POUR: 28290
15	* 4404010118	POUR: 28291
15	* 4404010119	POUR: 28292
15	* 4404010137	POUR: 28293
15	* 4404010120	POUR: 28294
15	* 4404010127	POUR: 28295
15	* 4404010123	POUR: 28296
16	* 4404301003	POUR: 28289, 28291, 28292, 28293, 28294
16	* 4404300707	POUR: 28290, 28295, 28296
18	* 4404301004	POUR: 28289, 28290, 28291, 28292, 28293
18	* 4404300910	POUR: 28294, 28296
18	* 4404190324	POUR: 28295

CODE **28289, 28290, 28291, 28292, 28293, 28294, 28295, 28296**

DESCRIPTION: **4 BAR ASTER FILTER**



ENGLISH

POS	CODE	DESCRIPTION	QUANTITY	POS	CODE	DESCRIPTION	QUANTITY
1	4404161477	PRESSURE GAUGE 1/8" 6 KG./C "		9	4404010108	WATER PURGE 3/8"	
2	* 4404040160	COMPLETE PRESSURE GAUGE UNIT 6 KG		10	4404040115	O' RING D. 60X8	
2	* 4404160323	COMPLETE PRESSURE GAUGE UNIT 6 KG		11	* 4404040103	FITTING 1 1/2" + O'RIN "	
3	* 4404020040	QUICK CLOSING LID UNIT		11	* 4404040112	2" OUTLET FITTING + O'RIN "	
3	* 4404020102	QUICK CLOSING LID UNIT		11	* 4404290108	OUTLETUNION 2 1/2" + O-RIN "	
4	4404020111	LID GASKET		12	* 4404300917	MANIFOLD ARM 1" 110 M "	
5	4404020108	LID RING UNIT		12	* 4404300915	MANIFOLD ARM 1" 175 M "	
6	4404020116	O' RING 255X4		12	* 4404300916	MANIFOLD ARM 1" 225 M "	
7	* 4404040096	FILTER BASE D. 350		12	* 4404290109	COLLECTOR ARM 1" 265 M "	
7	* 4404010088	FILTER BASE D. 450		13	* 4404010025	MANIFOLD ARM ASSEMBLY D. 400	
7	* 4404010112	FILTER BASE D. 500		13	* 4404010026	MANIFOLD ARM ASSEMBLY	
7	* 4404010113	FILTER BASE D. 600		13	* 4404010028	MANIFOLD ARM ASSEMBLY D. 650	
7	* 4404300924	FILTER BASE D. 750		13	* 4404010048	MANIFOLD ARM ASSEMBLY D. 750	

CODE **28289, 28290, 28291, 28292, 28293, 28294, 28295, 28296**

DESCRIPTION: **4 BAR ASTER FILTER**

7	* 4404010093	FILTER BASE D. 950	14	* 4404010131	MANIFOLD ASSEMBLY D. 350
8	4404040113	DRAIN PLUG AND GASKET	14	* 4404010132	MANIFOLD ASSEMBLY D. 450
14	* 4404010114	MANIFOLD ASSEMBLY D. 500	15	* 4404010137	DIFFUSER ASSEMBLY ASTER D. 650
14	* 4404010115	MANIFOLD ASSEMBLY D. 600	15	* 4404010120	DIFFUSER ASSEMBLY D. 750
14	* 4404010133	MANIFOLD ASSEMBLY D. 650	15	* 4404010127	DIFFUSER ASSEMBLY D. 900 2 1/2" FEMALE
14	* 4404010116	MANIFOLD ASSEMBLY D. 750	15	* 4404010123	DIFFUSER ASSEMBLY D. 900 2"
14	* 4404040127	MANIFOLD ASSEMBLY D. 900 MALE	16	* 4404301003	AIR PURGE + PIPE L=670
14	* 4404010117	MANIFOLD ASSEMBLY D. 900	16	* 4404300707	RIGID PIPE L-845
15	* 4404010135	DIFFUSER ASSEMBLY ASTER D. 350	17	4404040108	AIR PURGE
15	* 4404010136	DIFFUSER ASSEMBLY ASTER D. 450	18	* 4404301004	DIFFUSER CONE D. 50
15	* 4404010118	DIFFUSER ASSEMBLY D. 500	18	* 4404300910	DIFFUSER CONE D. 63
15	* 4404010119	DIFFUSER ASSEMBLY D. 600	18	* 4404190324	DIFFUSER CONE D. 75

CODE **28289, 28290, 28291, 28292, 28293, 28294, 28295, 28296**

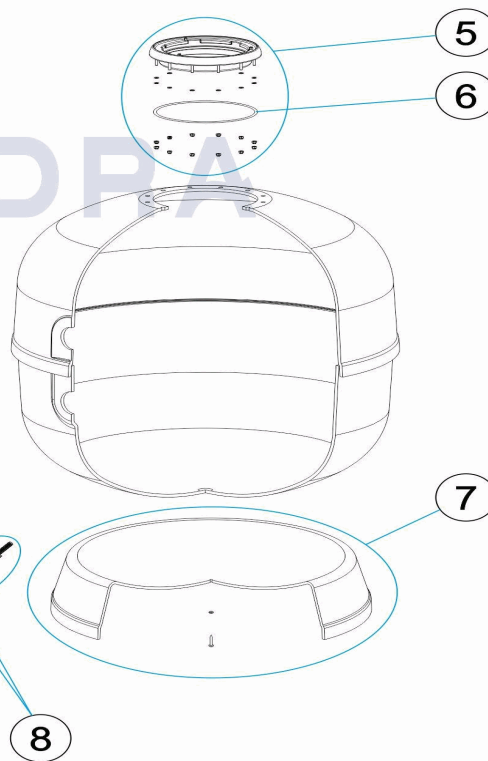
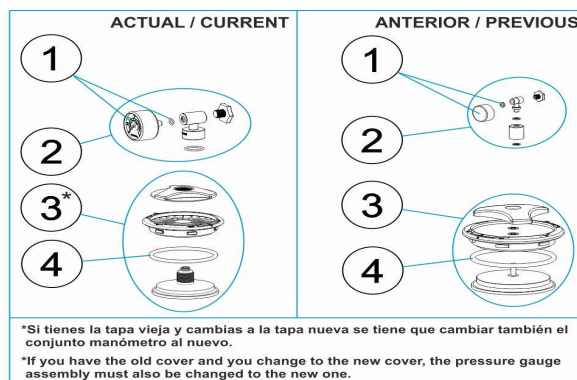
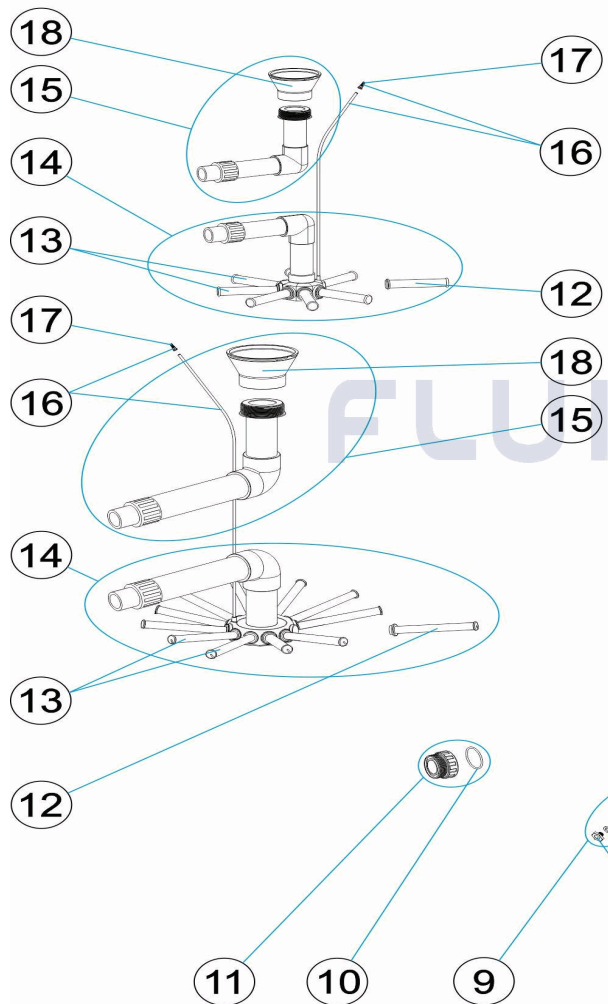
DESCRIPTION: **4 BAR ASTER FILTER**

OBSERVATIONS

POS	CODE	OBSERVATIONS
2	* 4404040160	FOR: MODELO ACTUAL / CURRENT MODEL
2	* 4404160323	FOR: MODELO ANTERIOR / PREVIOUS MODEL
3	* 4404020040	FOR: MODELO ACTUAL / CURRENT MODEL
3	* 4404020102	FOR: MODELO ANTERIOR / PREVIOUS MODEL
7	* 4404040096	FOR: 28289
7	* 4404010088	FOR: 28290
7	* 4404010112	FOR: 28291
7	* 4404010113	FOR: 28292, 28293
7	* 4404300924	FOR: 28294
7	* 4404010093	FOR: 28295, 28296
11	* 4404040103	FOR: 28289, 28290, 28291, 28292, 28293
11	* 4404040112	FOR: 28294, 28296
11	* 4404290108	FOR: 28295
12	* 4404300917	FOR: 28289 [4UT], 28290 [4UT], 28291 [4UT]
12	* 4404300915	FOR: 28292 [4UT], 28293 [4UT]
12	* 4404300916	FOR: 28294 [4UT]
12	* 4404290109	FOR: 28295 [6UT], 28296 [6UT]
13	* 4404010025	FOR: 28289, 28290, 28291
13	* 4404010026	FOR: 28292, 28293
13	* 4404010028	FOR: 28294
13	* 4404010048	FOR: 28295, 28296
14	* 4404010131	FOR: 28289
14	* 4404010132	FOR: 28290
14	* 4404010114	FOR: 28291
14	* 4404010115	FOR: 28292
14	* 4404010133	FOR: 28293
14	* 4404010116	FOR: 28294
14	* 4404040127	FOR: 28295
14	* 4404010117	FOR: 28296
15	* 4404010135	FOR: 28289
15	* 4404010136	FOR: 28290
15	* 4404010118	FOR: 28291
15	* 4404010119	FOR: 28292
15	* 4404010137	FOR: 28293
15	* 4404010120	FOR: 28294
15	* 4404010127	FOR: 28295
15	* 4404010123	FOR: 28296
16	* 4404301003	FOR: 28289, 28291, 28292, 28293, 28294
16	* 4404300707	FOR: 28290, 28295, 28296
18	* 4404301004	FOR: 28289, 28290, 28291, 28292, 28293
18	* 4404300910	FOR: 28294, 28296
18	* 4404190324	FOR: 28295

CODICE **28289, 28290, 28291, 28292, 28293, 28294, 28295, 28296**

DESCRIZIONE: **FILTRI ASTER 4 BAR**



ITALIANO

POS	CODICE	DESCRIZIONE	QUANTITA'	POS	CODICE	DESCRIZIONE	QUANTITA'
1	4404161477	MANOMETRO 1/8" 6 KG./C "		9	4404010108	SCARICO ACQUA 3/8"	
2	* 4404040160	MANOMETRO COMPLETO 6 KG.		10	4404040115	O-RING D 60X8	
2	* 4404160323	MANOMETRO COMPLETO 6 KG.		11	* 4404040103	RACCORDO 1 1/2" + O-RIN "	
3	* 4404020040	COPERCHIO RAPID COMPLETO		11	* 4404040112	RACCORDO USCITA 2" + O-RING	
3	* 4404020102	COPERCHIO RAPID COMPLETO		11	* 4404290108	RACCORDO USCITA 2 1/2" + O-RIN "	
4	4404020111	GUARNIZIONE COPERCHIO		12	* 4404300917	CANDELOTTO COLLECTORE 1" 110 M "	
5	4404020108	FLANGIA COPERCHIO COMPLETO		12	* 4404300915	CANDELOTTO COLLECTORE 1" 175 M "	
6	4404020116	O-RING 255X4		12	* 4404300916	CANDELOTTO COLLECTORE 1" 225 M "	
7	* 4404040096	BASE FILTRO D. 350		12	* 4404290109	CANDELOTTO 1" 265 M/M "	
7	* 4404010088	BASE FILTRO D. 450		13	* 4404010025	GRUPPO CANDELOTTO COLLECTORE D. 4	
7	* 4404010112	BASE FILTRO D. 500		13	* 4404010026	GRUPPO CANDELOTTO COLLECTORE	
7	* 4404010113	BASE FILTRO D.600		13	* 4404010028	GRUPPO CANDELOTTO COLLECTORE D. 6	
7	* 4404300924	BASE FILTRO D 750		13	* 4404010048	GRUPPO CANDELOTTO COLLECTORE D. 7	

CODICE **28289, 28290, 28291, 28292, 28293, 28294, 28295, 28296**

DESCRIZIONE: **FILTRI ASTER 4 BAR**

7	* 4404010093	BASE FILTRO D. 950	14	* 4404010131	KIT COLLETTORE D. 350
8	4404040113	TAPPO SPURGO E GUARNIZIONE	14	* 4404010132	KIT COLLETTORE D. 450
14	* 4404010114	KIT COLLETTORE D. 500	15	* 4404010137	RACCORDO DIFFUSORE ASTER D. 650
14	* 4404010115	KIT COLLETTORE D. 600	15	* 4404010120	RACCORDO DIFFUSORE D. 750
14	* 4404010133	KIT COLLETTORE D. 650	15	* 4404010127	RACCORDO DIFFUSORE D. 900 - 2 ½" FEMI
14	* 4404010116	KIT COLLETTORE D. 750	15	* 4404010123	RACCORDO DIFFUSORE D. 900 - 2"
14	* 4404040127	KIT COLLETTORE D. 900 MASCHIO	16	* 4404301003	SPURGO ARIA + TUBO L=670
14	* 4404010117	KIT COLLETTORE D. 900	16	* 4404300707	TUBO RIGIDO L-845
15	* 4404010135	RACCORDO DIFFUSORE ASTER D. 350	17	4404040108	SFIATO ARIA
15	* 4404010136	RACCORDO DIFFUSORE ASTER D. 450	18	* 4404301004	CONO DIFFUSORE D. 50
15	* 4404010118	RACCORDO DIFFUSORE D. 500	18	* 4404300910	CONO DIFFUSORE D. 63
15	* 4404010119	RACCORDO DIFFUSORE D. 600	18	* 4404190324	CONO DIFFUSORE D. 75

CODICE 28289, 28290, 28291, 28292, 28293, 28294, 28295, 28296

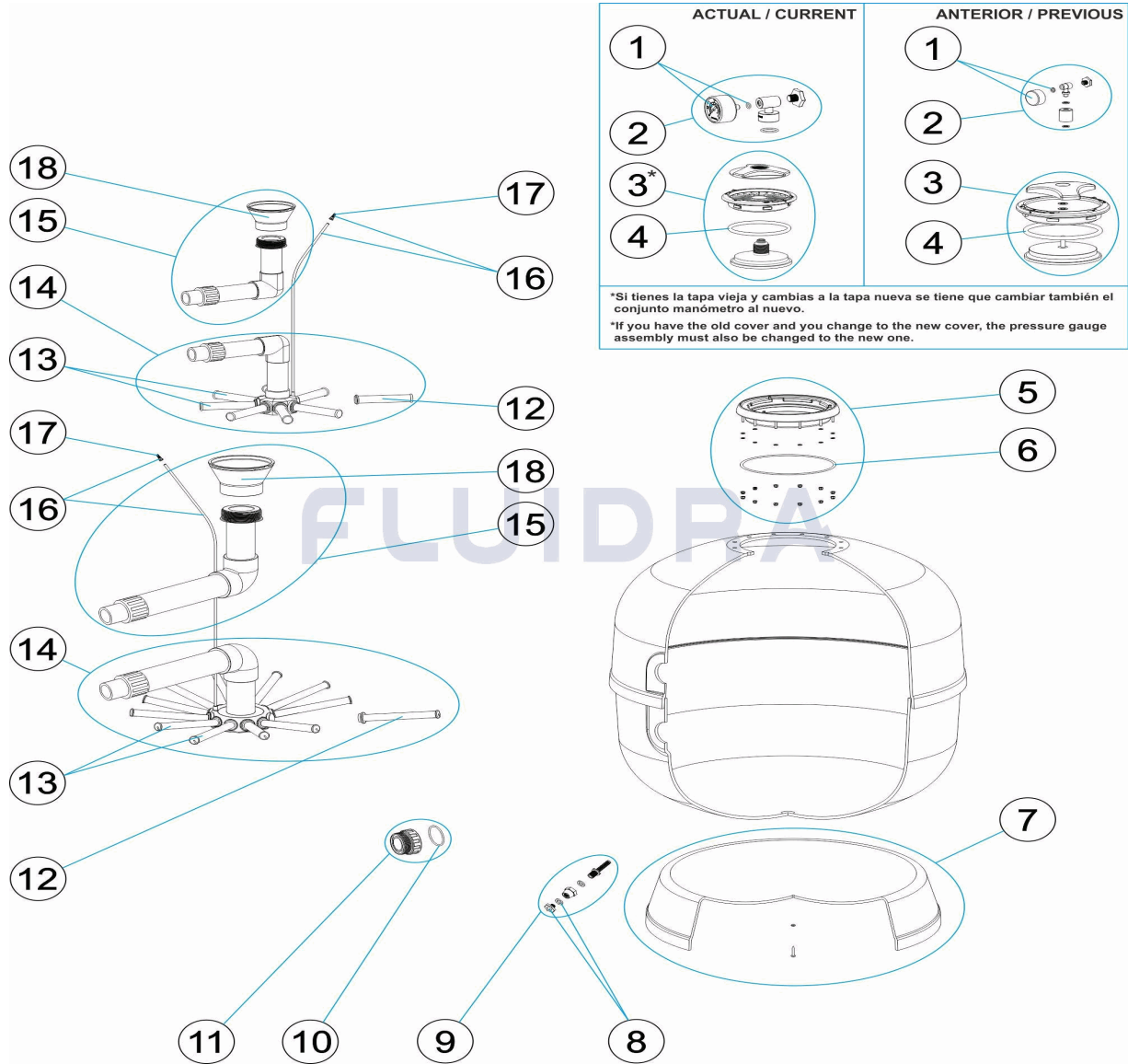
DESCRIZIONE: FILTRI ASTER 4 BAR

OSSERVAZIONI

POS	CODICE	OSSERVAZIONI
2	* 4404040160	PER: MODELO ACTUAL / CURRENT MODEL
2	* 4404160323	PER: MODELO ANTERIOR / PREVIOUS MODEL
3	* 4404020040	PER: MODELO ACTUAL / CURRENT MODEL
3	* 4404020102	PER: MODELO ANTERIOR / PREVIOUS MODEL
7	* 4404040096	PER: 28289
7	* 4404010088	PER: 28290
7	* 4404010112	PER: 28291
7	* 4404010113	PER: 28292, 28293
7	* 4404300924	PER: 28294
7	* 4404010093	PER: 28295, 28296
11	* 4404040103	PER: 28289, 28290, 28291, 28292, 28293
11	* 4404040112	PER: 28294, 28296
11	* 4404290108	PER: 28295
12	* 4404300917	PER: 28289 [4UT], 28290 [4UT], 28291 [4UT]
12	* 4404300915	PER: 28292 [4UT], 28293 [4UT]
12	* 4404300916	PER: 28294 [4UT]
12	* 4404290109	PER: 28295 [6UT], 28296 [6UT]
13	* 4404010025	PER: 28289, 28290, 28291
13	* 4404010026	PER: 28292, 28293
13	* 4404010028	PER: 28294
13	* 4404010048	PER: 28295, 28296
14	* 4404010131	PER: 28289
14	* 4404010132	PER: 28290
14	* 4404010114	PER: 28291
14	* 4404010115	PER: 28292
14	* 4404010133	PER: 28293
14	* 4404010116	PER: 28294
14	* 4404040127	PER: 28295
14	* 4404010117	PER: 28296
15	* 4404010135	PER: 28289
15	* 4404010136	PER: 28290
15	* 4404010118	PER: 28291
15	* 4404010119	PER: 28292
15	* 4404010137	PER: 28293
15	* 4404010120	PER: 28294
15	* 4404010127	PER: 28295
15	* 4404010123	PER: 28296
16	* 4404301003	PER: 28289, 28291, 28292, 28293, 28294
16	* 4404300707	PER: 28290, 28295, 28296
18	* 4404301004	PER: 28289, 28290, 28291, 28292, 28293
18	* 4404300910	PER: 28294, 28296
18	* 4404190324	PER: 28295

CODE **28289, 28290, 28291, 28292, 28293, 28294, 28295, 28296**

BESCHREIBUNG: **FILTER ASTER 4 BAR**



DEUTSCH

POS	CODE	BESCHREIBUNG	MENGE	POS	CODE	BESCHREIBUNG	MENGE
1	4404161477	MANOMETER 1/8" 6 KG/C "		9	4404010108	WASSERABLAß 3/8"	
2	* 4404040160	MANOMETER KOMPLETT 6 KG		10	4404040115	O-RING D. 60 X 8	
2	* 4404160323	MANOMETER KOMPLETT 6 KG		11	* 4404040103	GEWINDESTÜCK 1 1/2" UND O-RIN "	
3	* 4404020040	ABDECKUNG RAPID KOMPLETT		11	* 4404040112	GEWINDESTÜCK AUSGANG 2" UND O-RIN '	
3	* 4404020102	ABDECKUNG RAPID KOMPLETT		11	* 4404290108	GEWINDESTÜCK AUSGANG 2 1/2" UND O-F	
4	4404020111	DICHTUNG ABDECKUNG		12	* 4404300917	FILTERSTERN-SCHLITZROHR 1" 110 M "	
5	4404020108	RING ABDECKUNG KOMPLETT		12	* 4404300915	FILTERSTERN-SCHLITZROHR 1" 175 M "	
6	4404020116	O-RING 255 X 4		12	* 4404300916	FILTERSTERN-SCHLITZROHR 1" 225 M "	
7	* 4404040096	FILTERFUSS D. 350		12	* 4404290109	FILTERSTERN-SCHLITZROHR 1" 265 M "	
7	* 4404010088	FILTERFUSS D. 450		13	* 4404010025	SET FILTERSTERN-SCHLITZROHR D. 400	
7	* 4404010112	FILTERFUSS D. 500		13	* 4404010026	SET FILTERSTERN-SCHLITZROHR	
7	* 4404010113	FILTERFUSS D. 600		13	* 4404010028	SET FILTERSTERN-SCHLITZROHR D. 650	
7	* 4404300924	FILTERFUSS D. 750		13	* 4404010048	SET FILTERSTERN-SCHLITZROHR D. 750	

* SIEHE ANMERKUGSBLATT

CODE **28289, 28290, 28291, 28292, 28293, 28294, 28295, 28296**

BESCHREIBUNG: **FILTER ASTER 4 BAR**

7	* 4404010093	FILTERFUSS D. 950	14	* 4404010131	SAMMELROHRSET D. 350
8	4404040113	ABLASSSTOPFEN UND DICHTUNG	14	* 4404010132	SAMMELROHRSET D. 450
14	* 4404010114	SAMMELROHRSET D. 500	15	* 4404010137	SET WASSERVERTEILER ASTER 650
14	* 4404010115	SAMMELROHRSET D. 600	15	* 4404010120	SET WASSERVERTEILER D. 750
14	* 4404010133	SAMMELROHRSET D. 650	15	* 4404010127	SET WASSERVERTEILER D. 900 - 2 ½" WEIß
14	* 4404010116	SAMMELROHRSET D. 750	15	* 4404010123	SET WASSERVERTEILER D. 900 - 2"
14	* 4404040127	SAMMELROHRSET D. 900 MÄNNLICHES GI	16	* 4404301003	ENTLÜFTUNG UND ROHR L=670
14	* 4404010117	SAMMELROHRSET D. 900	16	* 4404300707	ROHR HART L - 845
15	* 4404010135	SET WASSERVERTEILER ASTER 350	17	4404040108	ENTLÜFTUNG
15	* 4404010136	SET WASSERVERTEILER ASTER 450	18	* 4404301004	KEGEL WASSERVERTEILER D. 50
15	* 4404010118	SET WASSERVERTEILER D. 500	18	* 4404300910	KEGEL WASSERVERTEILER D. 63
15	* 4404010119	SET WASSERVERTEILER D. 600	18	* 4404190324	KEGEL WASSERVERTEILER D. 75

CODE **28289, 28290, 28291, 28292, 28293, 28294, 28295, 28296**

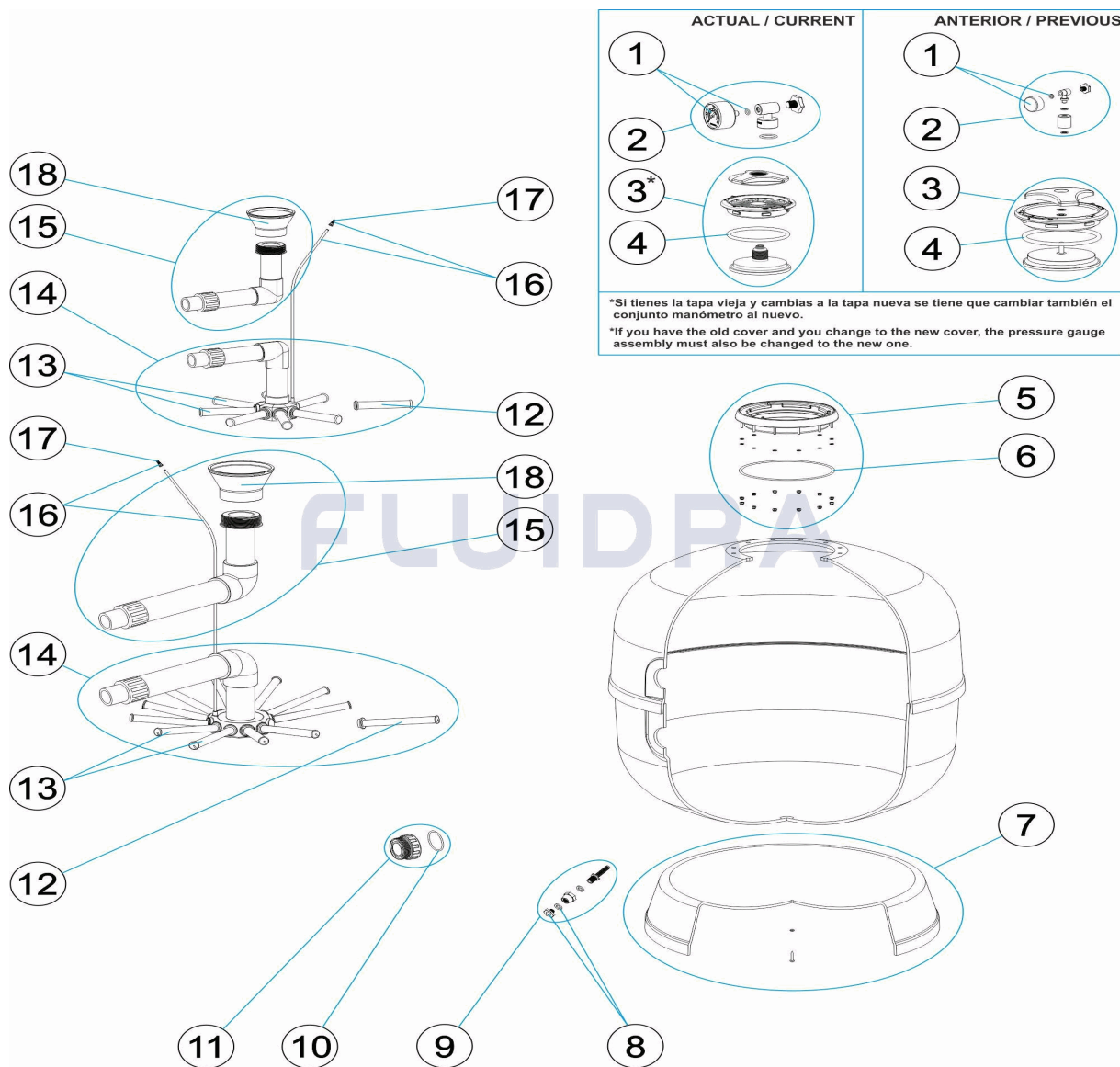
BESCHREIBUNG: **FILTER ASTER 4 BAR**

HINWEISE

POS	CODE	HINWEISE
2	* 4404040160	FÜR: MODELO ACTUAL / CURRENT MODEL
2	* 4404160323	FÜR: MODELO ANTERIOR / PREVIOUS MODEL
3	* 4404020040	FÜR: MODELO ACTUAL / CURRENT MODEL
3	* 4404020102	FÜR: MODELO ANTERIOR / PREVIOUS MODEL
7	* 4404040096	FÜR: 28289
7	* 4404010088	FÜR: 28290
7	* 4404010112	FÜR: 28291
7	* 4404010113	FÜR: 28292, 28293
7	* 4404300924	FÜR: 28294
7	* 4404010093	FÜR: 28295, 28296
11	* 4404040103	FÜR: 28289, 28290, 28291, 28292, 28293
11	* 4404040112	FÜR: 28294, 28296
11	* 4404290108	FÜR: 28295
12	* 4404300917	FÜR: 28289 [4UT], 28290 [4UT], 28291 [4UT]
12	* 4404300915	FÜR: 28292 [4UT], 28293 [4UT]
12	* 4404300916	FÜR: 28294 [4UT]
12	* 4404290109	FÜR: 28295 [6UT], 28296 [6UT]
13	* 4404010025	FÜR: 28289, 28290, 28291
13	* 4404010026	FÜR: 28292, 28293
13	* 4404010028	FÜR: 28294
13	* 4404010048	FÜR: 28295, 28296
14	* 4404010131	FÜR: 28289
14	* 4404010132	FÜR: 28290
14	* 4404010114	FÜR: 28291
14	* 4404010115	FÜR: 28292
14	* 4404010133	FÜR: 28293
14	* 4404010116	FÜR: 28294
14	* 4404040127	FÜR: 28295
14	* 4404010117	FÜR: 28296
15	* 4404010135	FÜR: 28289
15	* 4404010136	FÜR: 28290
15	* 4404010118	FÜR: 28291
15	* 4404010119	FÜR: 28292
15	* 4404010137	FÜR: 28293
15	* 4404010120	FÜR: 28294
15	* 4404010127	FÜR: 28295
15	* 4404010123	FÜR: 28296
16	* 4404301003	FÜR: 28289, 28291, 28292, 28293, 28294
16	* 4404300707	FÜR: 28290, 28295, 28296
18	* 4404301004	FÜR: 28289, 28290, 28291, 28292, 28293
18	* 4404300910	FÜR: 28294, 28296
18	* 4404190324	FÜR: 28295

CODIGO 28289, 28290, 28291, 28292, 28293, 28294, 28295, 28296

DESCRICÃO: FILTRO ASTER 4 BAR



PORTUGUES

POS	CODIGO	DESCRICÃO	JANTIDADE	POS	CODIGO	DESCRICÃO	JANTIDADE
1	4404161477	MANOMETRO 1/8" 6 KG./C "		9	4404010108	PURGA AGUA 3/8"	
2	* 4404040160	MANÓMETRO COMPLETO 6 KG		10	4404040115	JUNTA TÓRICA D 60X8	
2	* 4404160323	MANÓMETRO COMPLETO 6 KG		11	* 4404040103	RACORD 1 1/2" JUNTA TORIC "	
3	* 4404020040	TAMPA RÁPIDA COMPLETA		11	* 4404040112	ACOPLADOR SAÍDA 2" + JUNTA TORIC "	
3	* 4404020102	TAMPA RÁPIDA COMPLETA		11	* 4404290108	RACORD DE SAIDA 2 1/2" + JUNTA TÓRIC "	
4	4404020111	JUNTA TAMPA		12	* 4404300917	BRAÇO COLECTOR 1" 110 M "	
5	4404020108	ARO TAMPA COMPLETO		12	* 4404300915	BRAÇO COLECTOR 1" 175 M "	
6	4404020116	JUNTA TÓRICA 255X4		12	* 4404300916	BRAÇO COLECTOR 1" 225 M "	
7	* 4404040096	PÉ FILTRO D. 350		12	* 4404290109	BRAÇO COLECTOR 1" 265 M/M "	
7	* 4404010088	PÉ FILTRO D. 450		13	* 4404010025	CJTO. BRAÇO COLECTOR D. 400	
7	* 4404010112	PÉ FILTRO D. 500		13	* 4404010026	CJTO. BRAÇO COLECTOR	
7	* 4404010113	PÉ FILTRO D. 600		13	* 4404010028	CJTO. BRAÇO COLECTOR D.650	
7	* 4404300924	PÉ FILTRO D 750		13	* 4404010048	CJTO. BRAÇO COLECTOR D. 750	

CODIGO 28289, 28290, 28291, 28292, 28293, 28294, 28295, 28296

DESCRIÇÃO: FILTRO ASTER 4 BAR

7	* 4404010093	PÉ FILTRO D. 950	14	* 4404010131	CJTO. COLECTOR D. 350
8	4404040113	TAMPÃO PURGA E JUNTA	14	* 4404010132	CJTO. COLECTOR D. 450
14	* 4404010114	CJTO. COLECTOR D. 500	15	* 4404010137	CJTO. DIFUSOR ASTER D. 650
14	* 4404010115	CJTO. COLECTOR D. 600	15	* 4404010120	CJTO. DIFUSOR D. 750
14	* 4404010133	CJTO. COLECTOR D. 650	15	* 4404010127	CJTO. DIFUSOR D. 900 - 2 1/2" T. FÊMEA
14	* 4404010116	CJTO. COLECTOR D. 750	15	* 4404010123	CJTO. DIFUSOR D. 900 - 2"
14	* 4404040127	CJTO. COLECTOR D. 900 T. MACHO	16	* 4404301003	PURGA AR + TUBO L=670
14	* 4404010117	CJTO. COLECTOR D. 900	16	* 4404300707	TUBO RÍGIDO L-845
15	* 4404010135	CJTO. DIFUSOR ASTER D. 350	17	4404040108	PURGA AREIA
15	* 4404010136	CJTO. DIFUSOR ASTER D. 450	18	* 4404301004	CONO DIFUSOR D. 50
15	* 4404010118	CJTO. DIFUSOR D. 500	18	* 4404300910	CONO DIFUSOR D. 63
15	* 4404010119	CJTO. DIFUSOR D. 600	18	* 4404190324	CONO DIFUSOR D. 75

CODIGO 28289, 28290, 28291, 28292, 28293, 28294, 28295, 28296

DESCRIÇÃO: FILTRO ASTER 4 BAR

OBSERVAÇÕES

POS	CODIGO	OBSERVAÇÕES
2	* 4404040160	PARA: MODELO ACTUAL / CURRENT MODEL
2	* 4404160323	PARA: MODELO ANTERIOR / PREVIOUS MODEL
3	* 4404020040	PARA: MODELO ACTUAL / CURRENT MODEL
3	* 4404020102	PARA: MODELO ANTERIOR / PREVIOUS MODEL
7	* 4404040096	PARA: 28289
7	* 4404010088	PARA: 28290
7	* 4404010112	PARA: 28291
7	* 4404010113	PARA: 28292, 28293
7	* 4404300924	PARA: 28294
7	* 4404010093	PARA: 28295, 28296
11	* 4404040103	PARA: 28289, 28290, 28291, 28292, 28293
11	* 4404040112	PARA: 28294, 28296
11	* 4404290108	PARA: 28295
12	* 4404300917	PARA: 28289 [4UT], 28290 [4UT], 28291 [4UT]
12	* 4404300915	PARA: 28292 [4UT], 28293 [4UT]
12	* 4404300916	PARA: 28294 [4UT]
12	* 4404290109	PARA: 28295 [6UT], 28296 [6UT]
13	* 4404010025	PARA: 28289, 28290, 28291
13	* 4404010026	PARA: 28292, 28293
13	* 4404010028	PARA: 28294
13	* 4404010048	PARA: 28295, 28296
14	* 4404010131	PARA: 28289
14	* 4404010132	PARA: 28290
14	* 4404010114	PARA: 28291
14	* 4404010115	PARA: 28292
14	* 4404010133	PARA: 28293
14	* 4404010116	PARA: 28294
14	* 4404040127	PARA: 28295
14	* 4404010117	PARA: 28296
15	* 4404010135	PARA: 28289
15	* 4404010136	PARA: 28290
15	* 4404010118	PARA: 28291
15	* 4404010119	PARA: 28292
15	* 4404010137	PARA: 28293
15	* 4404010120	PARA: 28294
15	* 4404010127	PARA: 28295
15	* 4404010123	PARA: 28296
16	* 4404301003	PARA: 28289, 28291, 28292, 28293, 28294
16	* 4404300707	PARA: 28290, 28295, 28296
18	* 4404301004	PARA: 28289, 28290, 28291, 28292, 28293
18	* 4404300910	PARA: 28294, 28296
18	* 4404190324	PARA: 28295