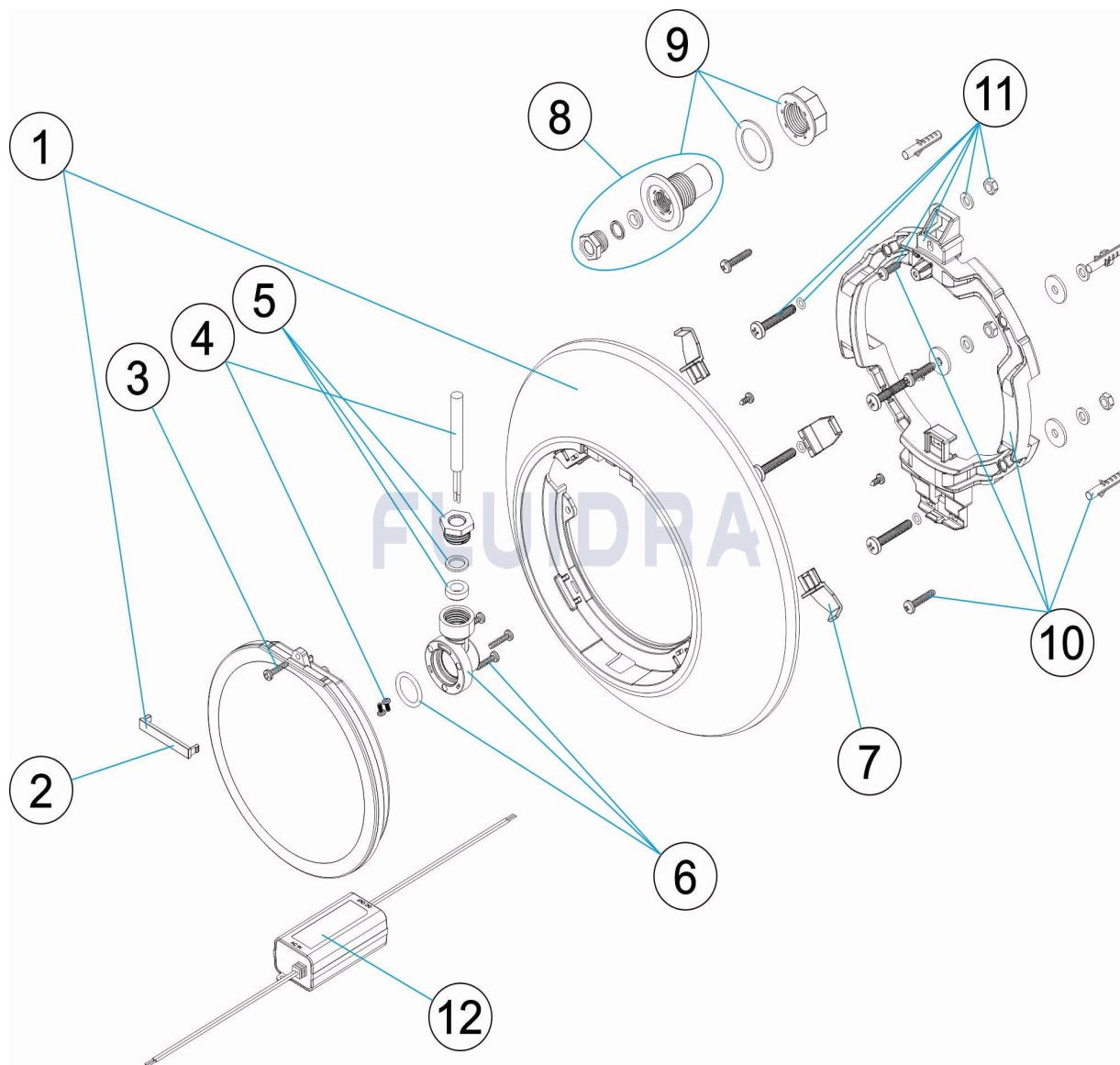


CODIGO 71214, 71215

DESCRIPCION: PUNTO DE LUZ FLEXISLIM



ESPAÑOL

POS	CODIGO	DESCRIPCION	CANTIDAD	POS	CODIGO	DESCRIPCION	CANTIDAD
1	* 4403010133	EMBELLECEDOR FLEXISLIM		4	4403010116	CABLE PROYECTOR	
1	* 4403010134	EMBELLECEDOR FLEXISLIM		5	4403010076	CJTO. TAPON PRENSAESTOPAS	
1	* 4403010135	EMBELLECEDOR FLEXISLIM		6	4403010115	PRENSAESTOPAS HORIZONTAL	
1	* 4403010136	EMBELLECEDOR FLEXISLIM		7	4403010137	GANCHO SOPORTE PROYECTOR	
2	* 4403010087	TAPETA EMBELLECEDORA PURE WHITE		8	* 4403011907	PASACABLES	
2	* 4403010119	TAPETA EMBELLECEDORA		9	* 4403012307	PASACABLES	
2	* 4403010120	TAPETA EMBELLECEDORA		10	* 4403010138	SOPORTE PROYECTOR	
2	* 4403010121	TAPETA EMBELLECEDORA		11	* 4403010139	SOPORTE PROYECTOR	
3	4403010114	TORNILLERIA PROYECTOR		12	* 67511	FUENTE ALIMENTACION APV 16W 24VDC	

CODIGO **71214, 71215**

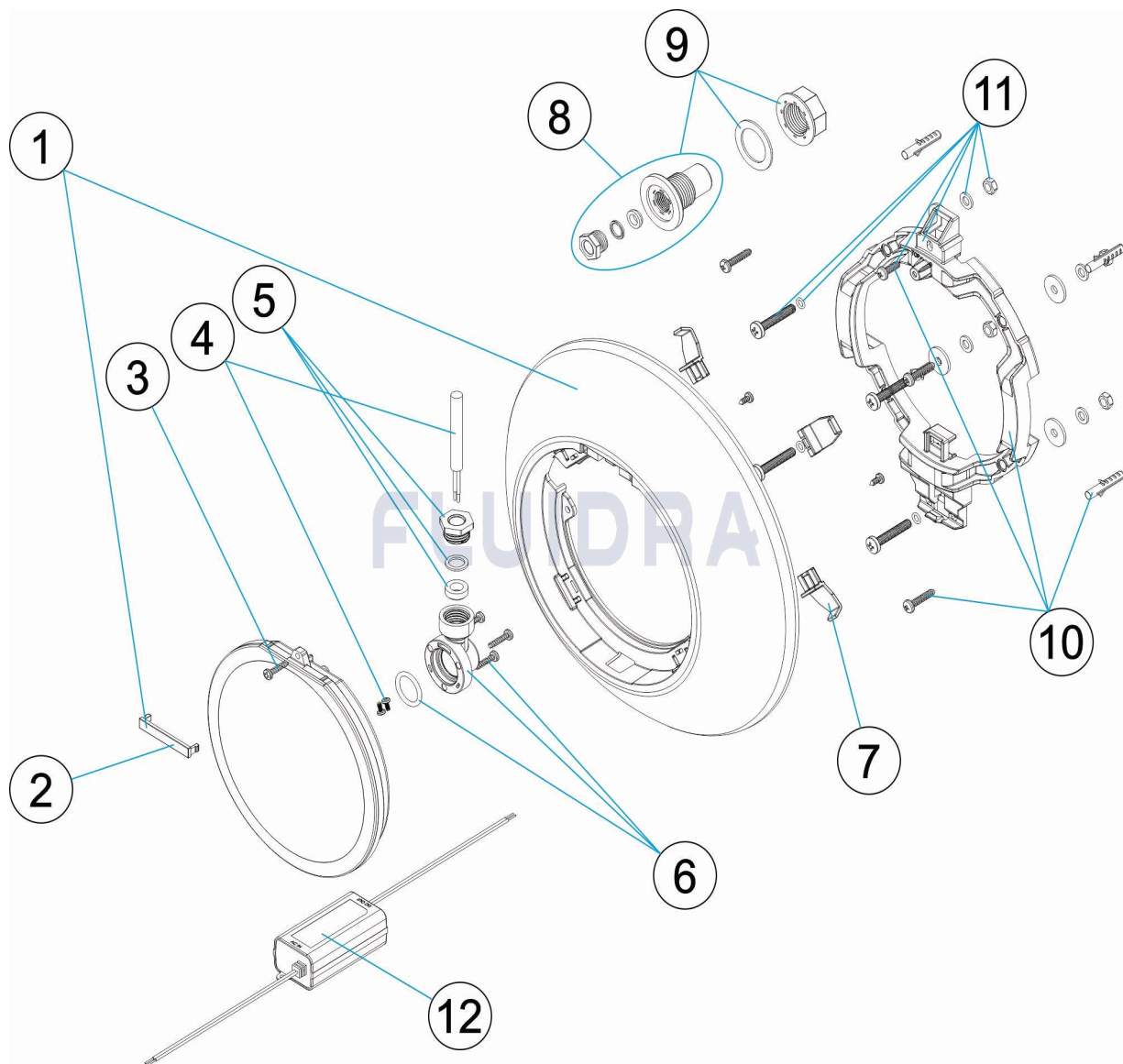
DESCRIPCION: **PUNTO DE LUZ FLEXISLIM**

OBSERVACIONES

POS	CODIGO	OBSERVACIONES
1	* 4403010133	PARA: BLANCO / WHITE
1	* 4403010134	PARA: BEIGE
1	* 4403010135	PARA: GRIS / GREY
1	* 4403010136	PARA: ANTRACITA / ANTHRACITE
2	* 4403010087	PARA: BLANCO / WHITE
2	* 4403010119	PARA: BEIGE
2	* 4403010120	PARA: GRIS / GREY
2	* 4403010121	PARA: ANTRACITA / ANTHRACITE
8	* 4403011907	PARA: PISCINA DE HORMIGÓN / CONCRETE POOL
9	* 4403012307	PARA: PISCINA PREFABRICADA / PREFABRICATED POOL
10	* 4403010138	PARA: PISCINA DE HORMIGÓN / CONCRETE POOL
11	* 4403010139	PARA: PISCINA PREFABRICADA / PREFABRICATED POOL
12	* 67511	PARA: 71215

CODE 71214, 71215

DESCRIPTION: OPTIQUE FLEXISLIM



FRANCAIS

POS	CODE	DESCRIPTION	QUANTITE	POS	CODE	DESCRIPTION	QUANTITE
1	* 4403010133	ENJOLIVEUR FLEXISLIM		4	4403010116	CABLE PROJECTEUR	
1	* 4403010134	ENJOLIVEUR FLEXISLIM		5	4403010076	ENSEMBLE BOUCHON PRESSE-ETOUPE	
1	* 4403010135	ENJOLIVEUR FLEXISLIM		6	4403010115	PASSE-CABLES HORIZONTAL	
1	* 4403010136	ENJOLIVEUR FLEXISLIM		7	4403010137	CROCHET SUPPORT PROJECTEUR	
2	* 4403010087	ENJOLIVEUR PURE WHITE		8	* 4403011907	PASSE CABLE	
2	* 4403010119	ENJOLIVEUR		9	* 4403012307	PASSE CABLE	
2	* 4403010120	ENJOLIVEUR		10	* 4403010138	SUPPORT PROJECTEUR	
2	* 4403010121	ENJOLIVEUR		11	* 4403010139	SUPPORT PROJECTEUR	
3	4403010114	VISSERIE PROJECTEUR		12	* 67511	SOURCE D'ALIMENTATION APV 16W 24VDC	

CODE **71214, 71215**

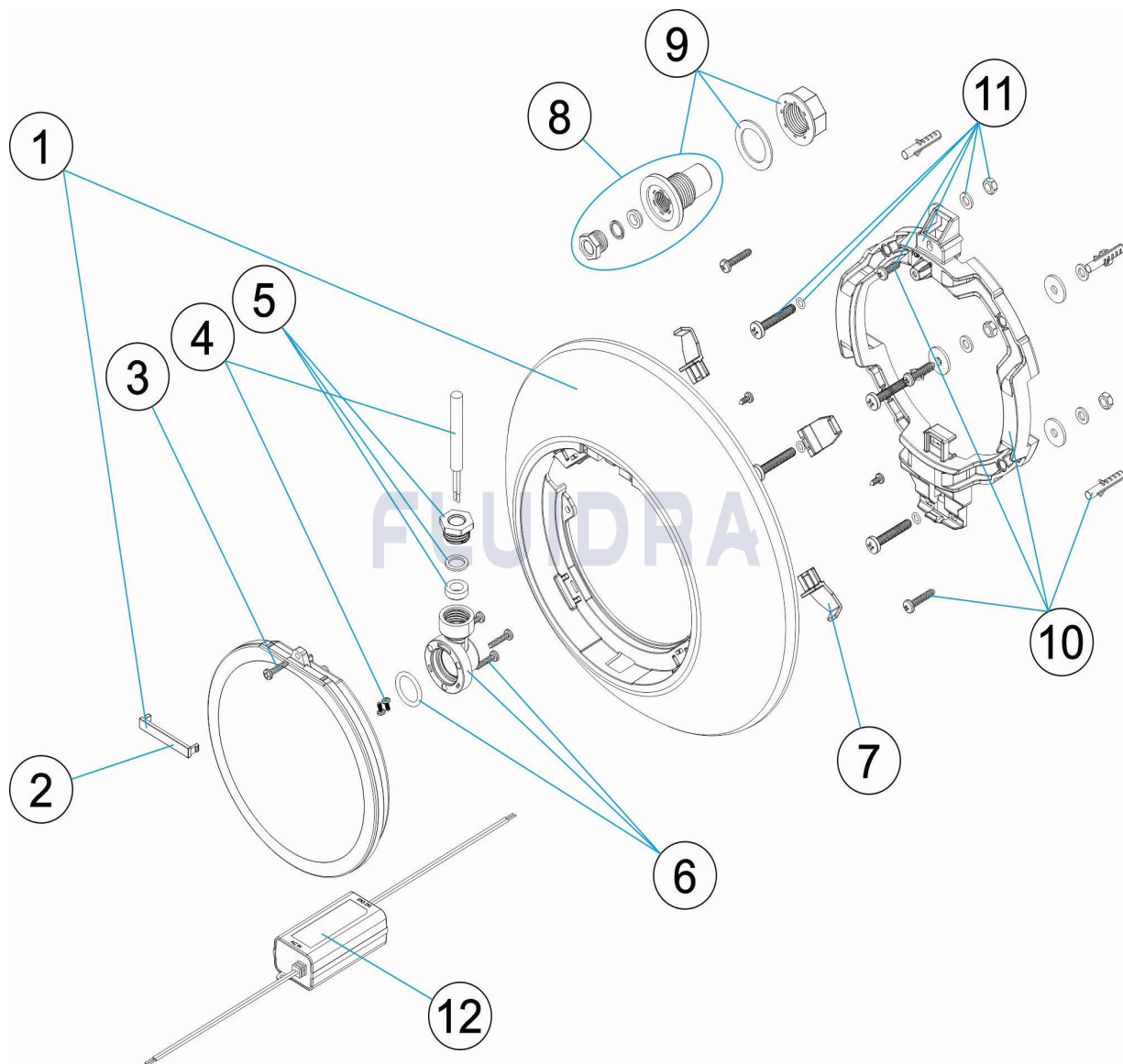
DESCRIPTION: **OPTIQUE FLEXISLIM**

OBSERVATIONS

POS	CODE	OBSERVATIONS
1	* 4403010133	POUR: BLANCO / WHITE
1	* 4403010134	POUR: BEIGE
1	* 4403010135	POUR: GRIS / GREY
1	* 4403010136	POUR: ANTRACITA / ANTHRACITE
2	* 4403010087	POUR: BLANCO / WHITE
2	* 4403010119	POUR: BEIGE
2	* 4403010120	POUR: GRIS / GREY
2	* 4403010121	POUR: ANTRACITA / ANTHRACITE
8	* 4403011907	POUR: PISCINA DE HORMIGÓN / CONCRETE POOL
9	* 4403012307	POUR: PISCINA PREFABRICADA / PREFABRICATED POOL
10	* 4403010138	POUR: PISCINA DE HORMIGÓN / CONCRETE POOL
11	* 4403010139	POUR: PISCINA PREFABRICADA / PREFABRICATED POOL
12	* 67511	POUR: 71215

CODE 71214, 71215

DESCRIPTION: FLEXISLIM SPOTLIGHT



ENGLISH

POS	CODE	DESCRIPTION	QUANTITY	POS	CODE	DESCRIPTION	QUANTITY
1	* 4403010133	FLEXISLIM FACEPLATE		4	4403010116	LIGHT CABLE	
1	* 4403010134	FLEXISLIM FACEPLATE		5	4403010076	PACKING GLAND ASSEMBLY	
1	* 4403010135	FLEXISLIM FACEPLATE		6	4403010115	HORIZONTAL CABLE GUIDES	
1	* 4403010136	FLEXISLIM FACEPLATE		7	4403010137	LIGHT SUPPORT HOOK	
2	* 4403010087	ESCUTCHEON PURE WHITE		8	* 4403011907	CONDUIT CONNECTOR	
2	* 4403010119	ESCUTCHEON		9	* 4403012307	CONDUIT CONNECTOR	
2	* 4403010120	ESCUTCHEON		10	* 4403010138	LIGHT SUPPORT	
2	* 4403010121	ESCUTCHEON		11	* 4403010139	LIGHT SUPPORT	
3	4403010114	LIGHT SCREWS		12	* 67511	POWER APV 16W 24VDC	

CODE **71214, 71215**

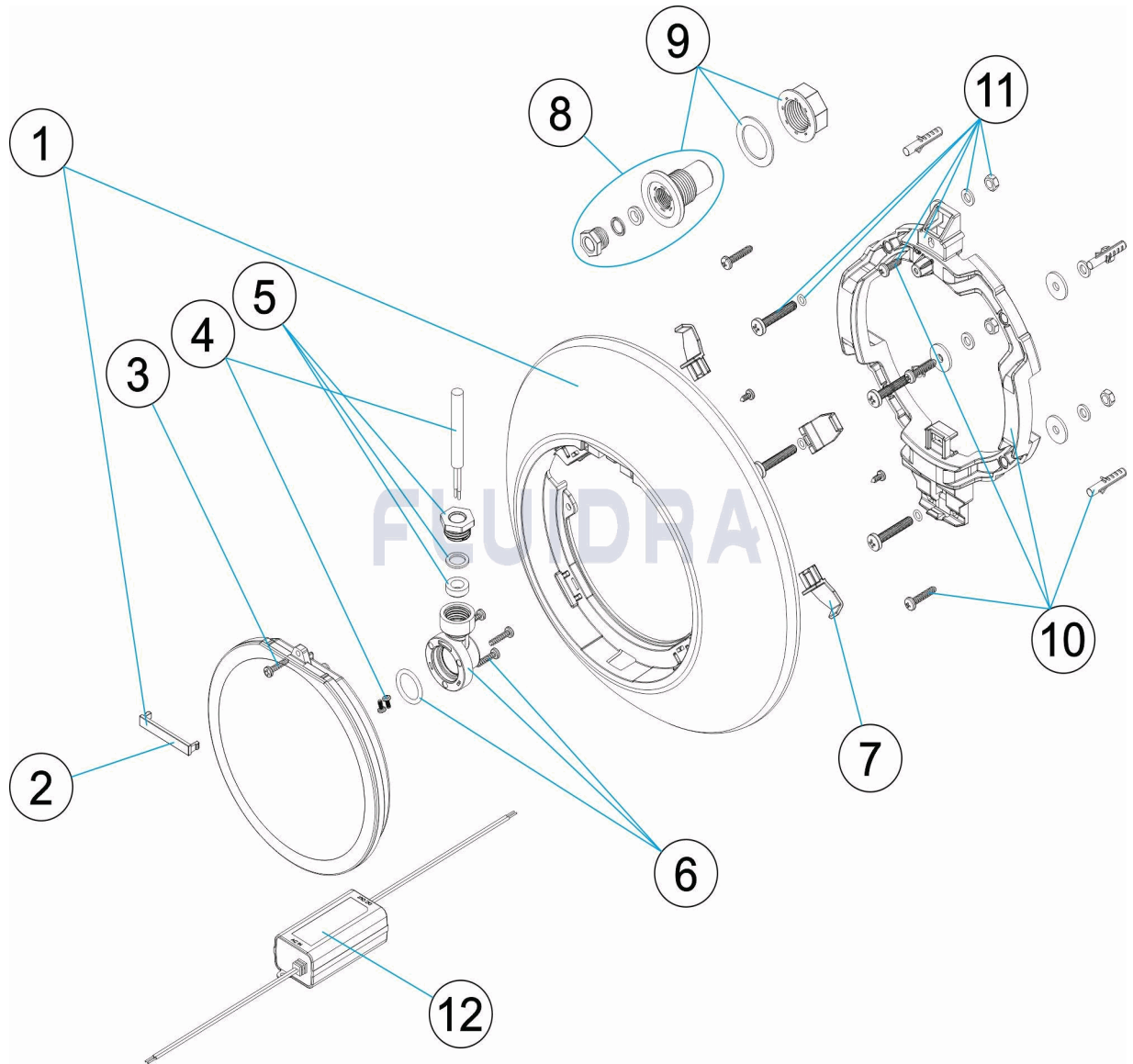
DESCRIPTION: **FLEXISLIM SPOTLIGHT**

OBSERVATIONS

POS	CODE	OBSERVATIONS
1	* 4403010133	FOR: BLANCO / WHITE
1	* 4403010134	FOR: BEIGE
1	* 4403010135	FOR: GRIS / GREY
1	* 4403010136	FOR: ANTRACITA / ANTHRACITE
2	* 4403010087	FOR: BLANCO / WHITE
2	* 4403010119	FOR: BEIGE
2	* 4403010120	FOR: GRIS / GREY
2	* 4403010121	FOR: ANTRACITA / ANTHRACITE
8	* 4403011907	FOR: PISCINA DE HORMIGÓN / CONCRETE POOL
9	* 4403012307	FOR: PISCINA PREFABRICADA / PREFABRICATED POOL
10	* 4403010138	FOR: PISCINA DE HORMIGÓN / CONCRETE POOL
11	* 4403010139	FOR: PISCINA PREFABRICADA / PREFABRICATED POOL
12	* 67511	FOR: 71215

CODICE 71214, 71215

DESCRIZIONE: PUNTO DI LUCE FLEXISLIM



ITALIANO

POS	CODICE	DESCRIZIONE	QUANTITA'	POS	CODICE	DESCRIZIONE	QUANTITA'
1	* 4403010133	ANELLO FRONTALE FLEXISLIM		4	4403010116	CAVO FARO	
1	* 4403010134	ANELLO FRONTALE FLEXISLIM		5	4403010076	INSIEME TAPPO PREMISTOPPA	
1	* 4403010135	ANELLO FRONTALE FLEXISLIM		6	4403010115	PASSACAVI ORIZZONTALE	
1	* 4403010136	ANELLO FRONTALE FLEXISLIM		7	4403010137	GANCIO SUPPORTO FARO	
2	* 4403010087	COPRIFLANGIA PURE WHITE		8	* 4403011907	PRESSACAVO	
2	* 4403010119	COPRIFLANGIA		9	* 4403012307	PRESSACAVO	
2	* 4403010120	COPRIFLANGIA		10	* 4403010138	SUPPORTO FARO	
2	* 4403010121	COPRIFLANGIA		11	* 4403010139	SUPPORTO FARO	
3	4403010114	KIT BULLONERIA FARO		12	* 67511	FONTE ALIMENTAZIONE APV 16W 24VDC	

CODICE **71214, 71215**

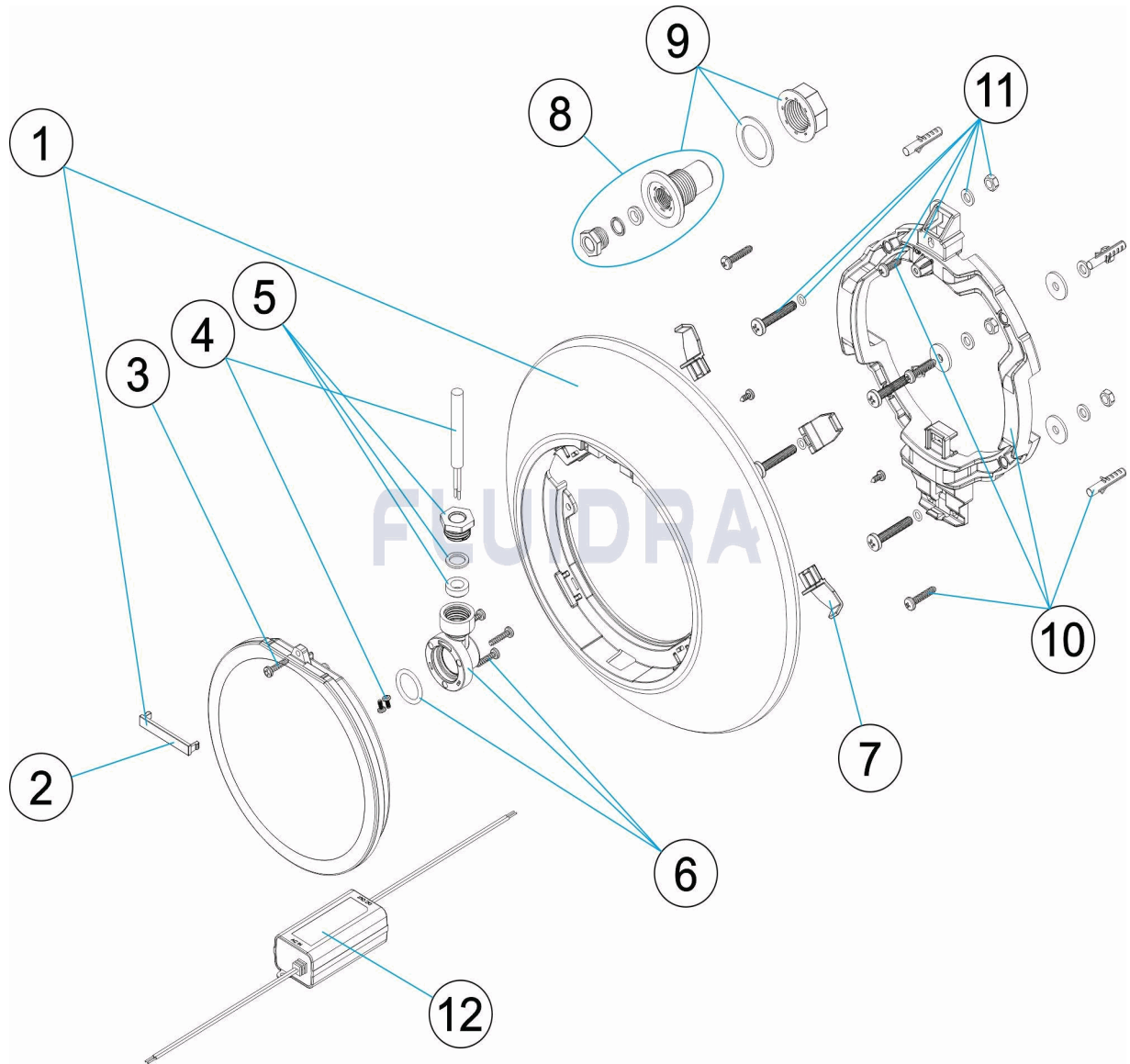
DESCRIZIONE: **PUNTO DI LUCE FLEXISLIM**

OSSERVAZIONI

POS	CODICE	OSSERVAZIONI
1	* 4403010133	PER: BLANCO / WHITE
1	* 4403010134	PER: BEIGE
1	* 4403010135	PER: GRIS / GREY
1	* 4403010136	PER: ANTRACITA / ANTHRACITE
2	* 4403010087	PER: BLANCO / WHITE
2	* 4403010119	PER: BEIGE
2	* 4403010120	PER: GRIS / GREY
2	* 4403010121	PER: ANTRACITA / ANTHRACITE
8	* 4403011907	PER: PISCINA DE HORMIGÓN / CONCRETE POOL
9	* 4403012307	PER: PISCINA PREFABRICADA / PREFABRICATED POOL
10	* 4403010138	PER: PISCINA DE HORMIGÓN / CONCRETE POOL
11	* 4403010139	PER: PISCINA PREFABRICADA / PREFABRICATED POOL
12	* 67511	PER: 71215

CODE 71214, 71215

BESCHREIBUNG: SPOT FLEXISLIM



DEUTSCH

POS	CODE	BESCHREIBUNG	MENGE	POS	CODE	BESCHREIBUNG	MENGE
1	* 4403010133	BLLENDE FLEXISLIM		4	4403010116	UWS-KABEL	
1	* 4403010134	BLLENDE FLEXISLIM		5	4403010076	STOPFENSET QUETSCHVERSCHRAUBUNC	
1	* 4403010135	BLLENDE FLEXISLIM		6	4403010115	HORIZONTAL QUETSCHVERSCHRAUBUNG	
1	* 4403010136	BLLENDE FLEXISLIM		7	4403010137	HAKEN HALTERUNG UWS	
2	* 4403010087	DEKO-ABSCHLUSS PURE WHITE		8	* 4403011907	KABELDURCHFÜHRUNG	
2	* 4403010119	DEKO-ABSCHLUSS		9	* 4403012307	KABELDURCHFÜHRUNG	
2	* 4403010120	DEKO-ABSCHLUSS		10	* 4403010138	HALTERUNG UWS	
2	* 4403010121	DEKO-ABSCHLUSS		11	* 4403010139	HALTERUNG UWS	
3	4403010114	UWS SCHRAUBENSATZ		12	* 67511	STROMVERSORGUNG APV 16W 24VDC	

CODE **71214, 71215**

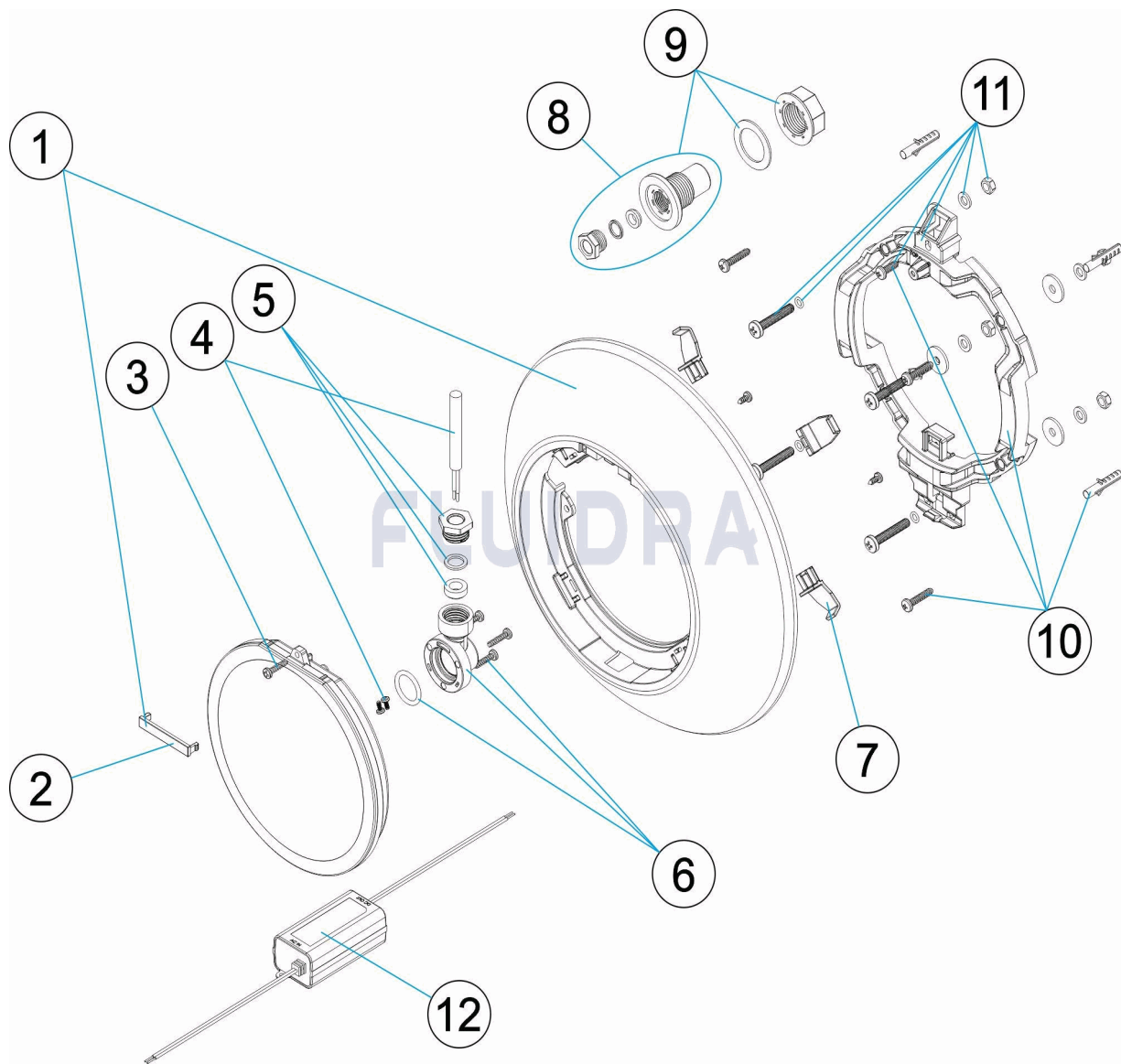
BESCHREIBUNG: **SPOT FLEXISLIM**

HINWEISE

POS	CODE	HINWEISE
1	* 4403010133	FÜR: BLANCO / WHITE
1	* 4403010134	FÜR: BEIGE
1	* 4403010135	FÜR: GRIS / GREY
1	* 4403010136	FÜR: ANTRACITA / ANTHRACITE
2	* 4403010087	FÜR: BLANCO / WHITE
2	* 4403010119	FÜR: BEIGE
2	* 4403010120	FÜR: GRIS / GREY
2	* 4403010121	FÜR: ANTRACITA / ANTHRACITE
8	* 4403011907	FÜR: PISCINA DE HORMIGÓN / CONCRETE POOL
9	* 4403012307	FÜR: PISCINA PREFABRICADA / PREFABRICATED POOL
10	* 4403010138	FÜR: PISCINA DE HORMIGÓN / CONCRETE POOL
11	* 4403010139	FÜR: PISCINA PREFABRICADA / PREFABRICATED POOL
12	* 67511	FÜR: 71215

CODIGO 71214, 71215

DESCRIÇÃO: PONTO DE LUZ FLEXISLIM



PORTUGUES

POS	CODIGO	DESCRIÇÃO	JANTIDADE	POS	CODIGO	DESCRIÇÃO	JANTIDADE
1	* 4403010133	EMBELEZADOR FLEXISLIM	4	4403010116	CABO PROJECTOR		
1	* 4403010134	EMBELEZADOR FLEXISLIM	5	4403010076	CONJUNTO TAMPABUCIM		
1	* 4403010135	EMBELEZADOR FLEXISLIM	6	4403010115	PASSA-CABOS HORIZONTAL		
1	* 4403010136	EMBELEZADOR FLEXISLIM	7	4403010137	GANCHO SUPORTE PROJECTOR		
2	* 4403010087	TAMPA EMBELEZADORA PURE WHITE	8	* 4403011907	PASSA-CABOS		
2	* 4403010119	TAMPA EMBELEZADORA	9	* 4403012307	PASSA-CABOS		
2	* 4403010120	TAMPA EMBELEZADORA	10	* 4403010138	SUPORTE PROJECTOR		
2	* 4403010121	TAMPA EMBELEZADORA	11	* 4403010139	SUPORTE PROJECTOR		
3	4403010114	CONJ. PARAFUSOS PROJECTOR	12	* 67511	FONTE ALIMENTAÇÃO APV 16W 24VDC		

CODIGO 71214, 71215

DESCRIÇÃO: PONTO DE LUZ FLEXISLIM

OBSERVAÇÕES

POS	CODIGO	OBSERVAÇÕES
1	* 4403010133	PARA: BLANCO / WHITE
1	* 4403010134	PARA: BEIGE
1	* 4403010135	PARA: GRIS / GREY
1	* 4403010136	PARA: ANTRACITA / ANTHRACITE
2	* 4403010087	PARA: BLANCO / WHITE
2	* 4403010119	PARA: BEIGE
2	* 4403010120	PARA: GRIS / GREY
2	* 4403010121	PARA: ANTRACITA / ANTHRACITE
8	* 4403011907	PARA: PISCINA DE HORMIGÓN / CONCRETE POOL
9	* 4403012307	PARA: PISCINA PREFABRICADA / PREFABRICATED POOL
10	* 4403010138	PARA: PISCINA DE HORMIGÓN / CONCRETE POOL
11	* 4403010139	PARA: PISCINA PREFABRICADA / PREFABRICATED POOL
12	* 67511	PARA: 71215