

DESPIECE

REV.: 1

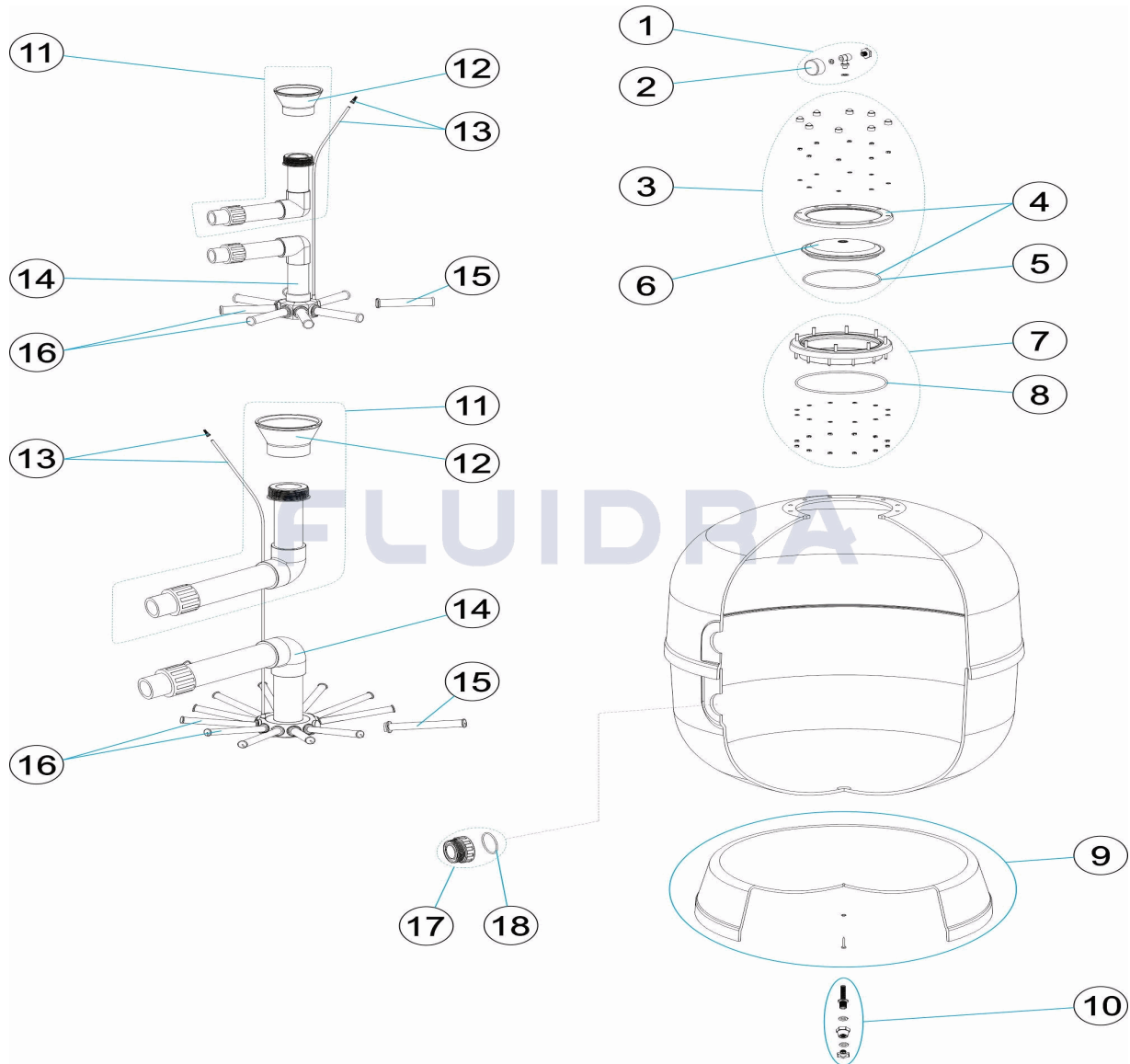
1111

FECHA: 03/04/2017

HOJA: 1/3

CODIGO 42015, 42016, 42017, 42018, 42020, 42022

DESCRIPCION: FILTRO ORION TAPA TORNILLOS



ESPAÑOL

| POS | CODIGO | DESCRIPCION | CANTIDAD | POS | CODIGO | DESCRIPCION | CANTIDAD |
|-----|--------------|---------------------------------|----------|-----|--------------|--------------------------|----------|
| 1 | 4404180404 | MANOMETRO COMPLETO | | 11 | * 4404010135 | CJTO. DIFUSOR ASTER 350 | |
| 2 | 4404180405 | MANOMETRO 1/8" 3 KG/C " | | 11 | * 4404010136 | CJTO. DIFUSOR ASTER 450 | |
| 3 | 4404190325 | GRUPO TAPA TRANSPARENTE | | 11 | * 4404010118 | CJTO. DIFUSOR D. 500 | |
| 4 | 4404260105 | ARO FIJACION VALVULA TOP 1 1/2" | | 11 | * 4404010119 | CJTO. DIFUSOR D. 600 | |
| 5 | 4404260106 | JUNTA ARO FIJACION VALVULA | | 11 | * 4404010120 | CJTO. DIFUSOR D. 750 | |
| 6 | 4404160847 | TAPA FILTRO D. 220 NEGRA | | 11 | * 4404010123 | CJTO. DIFUSOR D. 900- 2" | |
| 7 | 4404160809 | ARO CUELLO 20 TORNILLOS | | 12 | * 4404301004 | CONO DIFUSOR D.50 | |
| 8 | 4404020116 | JUNTA TORICA 255X4 | | 12 | * 4404300910 | CONO DIFUSOR D. 63 | |
| 9 | * 4404010040 | PIE FILTRO D. 350 | | 13 | * 4404301003 | PURGA AIRE + TUBO L=670 | |
| 9 | * 4404010088 | PIE FILTRO D. 450 | | 13 | * 4404300707 | TUBO RIGIDO L-845 | |
| 9 | * 4404010134 | PIE FILTRO | | 14 | * 4404010131 | CJTO. COLECTOR D. 350 | |
| 9 | * 4404010113 | PIE FILTRO D. 600 | | 14 | * 4404010132 | CJTO. COLECTOR D.450 | |
| 9 | * 4404300924 | PIE FILTRO D. 750 | | 14 | * 4404010114 | CJTO. COLECTOR D. 500 | |

* VER HOJA DE OBSERVACIONES

DESPIECE

REV.: 1

1111

FECHA: 03/04/2017

HOJA: 2/3

CODIGO **42015, 42016, 42017, 42018, 42020, 42022**DESCRIPCION: **FILTRO ORION TAPA TORNILLOS**

| | | | | | |
|----|--------------|------------------------------|----|--------------|----------------------------------|
| 9 | * 4404010240 | PIE FILTRO D. 900 | 14 | * 4404010115 | CJTO. COLECTOR D. 600 |
| 10 | 4404010108 | PURGA AGUA 3/8" | 14 | * 4404010116 | CJTO. COLECTOR D. 750 |
| 14 | * 4404010117 | CJTO. COLECTOR D. 900 | 16 | * 4404300915 | BRAZO COLECTOR 1" 175 M " |
| 15 | * 4404010025 | CJTO. BRAZOS COLECTOR D. 400 | 16 | * 4404300916 | BRAZO COLECTOR 1" 225 M " |
| 15 | * 4404010026 | CJTO. BRAZOS COLECTOR | 16 | * 4404290109 | BRAZO COLECTOR 1" 265 M " |
| 15 | * 4404010028 | CJTO. BRAZOS COLECTOR D. 650 | 17 | * 4404040103 | RACORD 1 ½" + JUNTA TORIC " |
| 15 | * 4404010048 | CJTO. BRAZOS COLECTOR D. 750 | 17 | * 4404040112 | RACORD SALIDA 2" + JUNTA TORIC " |
| 16 | * 4404300917 | BRAZO COLECTOR 1" 110 M " | | | |

DESPIECE

REV.: 1
FECHA: 03/04/2017
HOJA: 3/3

1111

CODIGO **42015, 42016, 42017, 42018, 42020, 42022**

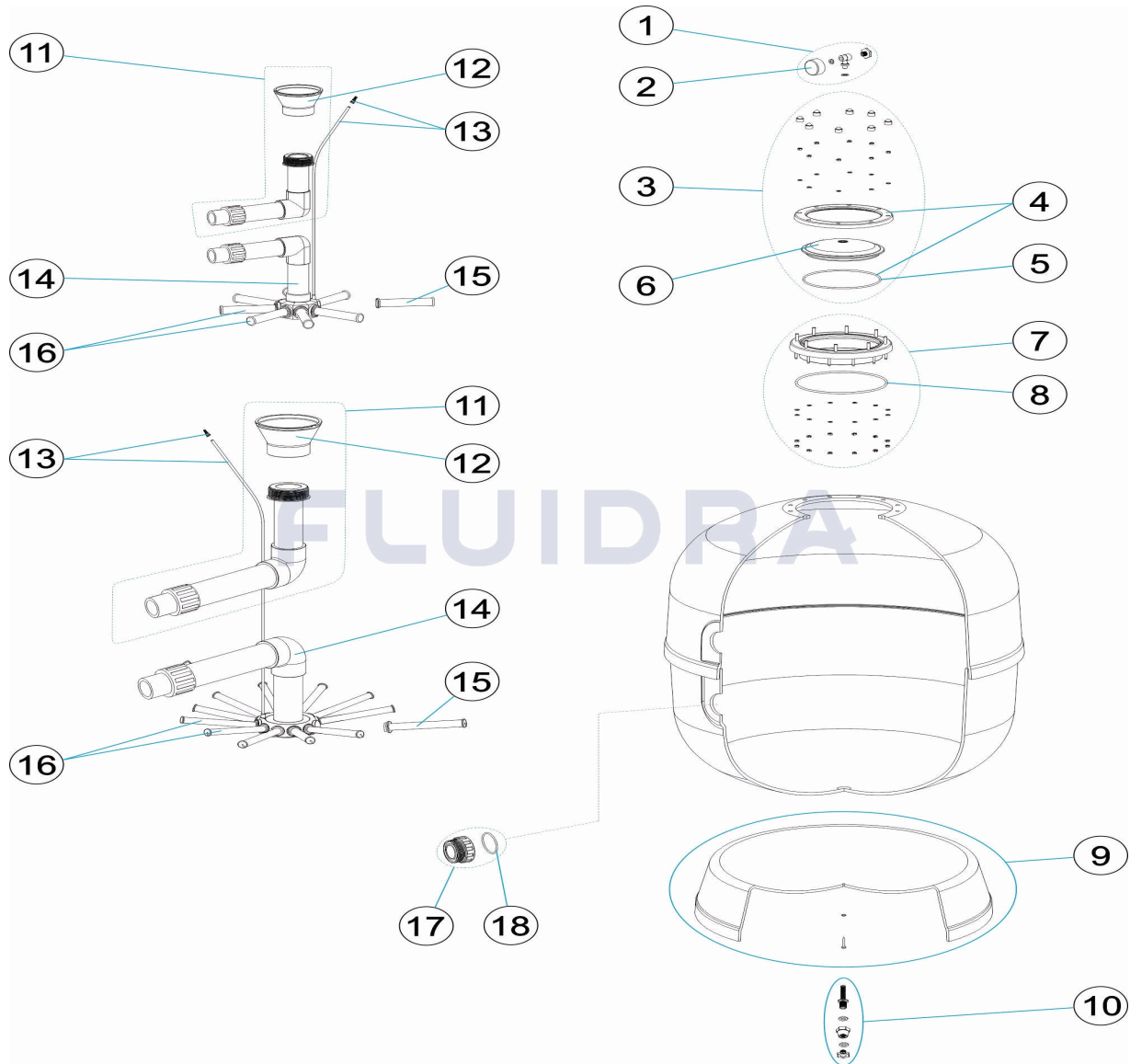
DESCRIPCION: **FILTRO ORION TAPA TORNILLOS**

OBSERVACIONES

| POS | CODIGO | OBSERVACIONES |
|-----|--------------|---|
| 9 | * 4404010040 | PARA: 42015 |
| 9 | * 4404010088 | PARA: 42016 |
| 9 | * 4404010134 | PARA: 42017 |
| 9 | * 4404010113 | PARA: 42018 |
| 9 | * 4404300924 | PARA: 42020 |
| 9 | * 4404010240 | PARA: 42022 |
| 11 | * 4404010135 | PARA: 42015 |
| 11 | * 4404010136 | PARA: 42016 |
| 11 | * 4404010118 | PARA: 42017 |
| 11 | * 4404010119 | PARA: 42018 |
| 11 | * 4404010120 | PARA: 42020 |
| 11 | * 4404010123 | PARA: 42022 |
| 12 | * 4404301004 | PARA: 42015, 42016, 42017, 42018 |
| 12 | * 4404300910 | PARA: 42020, 42022 |
| 13 | * 4404301003 | PARA: 42015, 42016, 42017, 42018, 42020 |
| 13 | * 4404300707 | PARA: 42022 |
| 14 | * 4404010131 | PARA: 42015 |
| 14 | * 4404010132 | PARA: 42016 |
| 14 | * 4404010114 | PARA: 42017 |
| 14 | * 4404010115 | PARA: 42018 |
| 14 | * 4404010116 | PARA: 42020 |
| 14 | * 4404010117 | PARA: 42022 |
| 15 | * 4404010025 | PARA: 42015, 42016, 42017 |
| 15 | * 4404010026 | PARA: 42018 |
| 15 | * 4404010028 | PARA: 42020 |
| 15 | * 4404010048 | PARA: 42022 |
| 16 | * 4404300917 | PARA: 42015 [4UT], 42016 [4UT], 42017 [4UT] |
| 16 | * 4404300915 | PARA: 42018 [4UT] |
| 16 | * 4404300916 | PARA: 42020 [6UT] |
| 16 | * 4404290109 | PARA: 42022 [6UT] |
| 17 | * 4404040103 | PARA: 42015, 42016, 42017, 42018 |
| 17 | * 4404040112 | PARA: 42020, 42022 |

CODE **42015, 42016, 42017, 42018, 42020, 42022**

DESCRIPTION: **FILTRE ORION COUVERCLE VIS**



FRANCAIS

| POS | CODE | DESCRIPTION | QUANTITE | POS | CODE | DESCRIPTION | QUANTITE |
|-----|--------------|------------------------------------|----------|-----|--------------|---------------------------------|----------|
| 1 | 4404180404 | MANOMETRE COMPLET | | 11 | * 4404010135 | ENSEMBLE DIFFUSEUR ASTER D. 350 | |
| 2 | 4404180405 | MANOMETRE 1/8" 3 KG./C " | | 11 | * 4404010136 | ENSEMBLE DIFFUSEUR ASTER D. 450 | |
| 3 | 4404190325 | ENSEMBLE COUVERCLE TRANSPARENT | | 11 | * 4404010118 | ENSEMBLE DIFFUSEUR D. 500 | |
| 4 | 4404260105 | BRIDE DE FIXATION VANNE TOP 1 1/2" | | 11 | * 4404010119 | ENSEMBLE DIFFUSEUR D. 600 | |
| 5 | 4404260106 | JOINT BRIDE FIXATION VANNE TOP | | 11 | * 4404010120 | ENSEMBLE DIFFUSEUR D. 750 | |
| 6 | 4404160847 | COUVERCLE FILTRE D. 220 NOIR | | 11 | * 4404010123 | ENSEMBLE DIFFUSEUR D. 900 - 2" | |
| 7 | 4404160809 | BRIDE GORGE 20 VIS | | 12 | * 4404301004 | DIFUSOR CONIQUE SUPERIOR D. 50 | |
| 8 | 4404020116 | JOINT TORIQUE 255X4 | | 12 | * 4404300910 | DIFUSOR CONIQUE SUPERIOR D. 63 | |
| 9 | * 4404010040 | SOCLE FILTRE D. 350 | | 13 | * 4404301003 | PURGE AIR + TUBE L=670 | |
| 9 | * 4404010088 | SOCLE FILTRE D. 450 | | 13 | * 4404300707 | TUBE RIGIDE L-845 | |
| 9 | * 4404010134 | SOCLE FILTRE | | 14 | * 4404010131 | ENSEMBLE COLLECTEUR D. 350 | |
| 9 | * 4404010113 | SOCLE FILTRE D. 600 | | 14 | * 4404010132 | ENSEMBLE COLLECTEUR D. 450 | |
| 9 | * 4404300924 | SOCLE FILTRE D 750 | | 14 | * 4404010114 | ENSEMBLE COLLECTEUR D. 500 | |

ÉCLATÉ

REV.: 1
DATE: 03/04/2017
PAG.: 2/3

1111

CODE **42015, 42016, 42017, 42018, 42020, 42022**

DESCRIPTION: **FILTRE ORION COUVERCLE VIS**

| | | | | | |
|----|--------------|-------------------------------------|----|--------------|------------------------------------|
| 9 | * 4404010240 | SOCLE FILTRE D. 900 | 14 | * 4404010115 | ENSEMBLE COLLECTEUR D. 600 |
| 10 | 4404010108 | PURGE D'EAU 3/8" | 14 | * 4404010116 | ENSEMBLE COLLECTEUR D. 750 |
| 14 | * 4404010117 | ENSEMBLE COLLECTEUR D. 900 | 16 | * 4404300915 | BRAS DE REPARTITEUR 1" 175 M " |
| 15 | * 4404010025 | ENSEMBLE BRAS DE REPARTITEUR D. 400 | 16 | * 4404300916 | BRAS DE REPARTITEUR 1" 225 M " |
| 15 | * 4404010026 | ENSEMBLE BRAS DE REPARTITEUR | 16 | * 4404290109 | BRAS DE REPARTITEUR 1" 265 M/M " |
| 15 | * 4404010028 | ENSEMBLE BRAS DE REPARTITEUR D. 650 | 17 | * 4404040103 | RACCORD 1 1/2" + JOINT TORIQU " |
| 15 | * 4404010048 | ENSEMBLE BRAS DE REPARTITEUR D. 750 | 17 | * 4404040112 | RACCORD SORTIE 2" + JOINT TORIQU " |
| 16 | * 4404300917 | BRAS DE REPARTITEUR 1" 110 M " | | | |

* VOIR FICHE D'OBSERVATIONS

ÉCLATÉ

REV.: 1
DATE: 03/04/2017
PAG.: 3/3

1111

CODE **42015, 42016, 42017, 42018, 42020, 42022**

DESCRIPTION: **FILTRE ORION COUVERCLE VIS**

OBSERVATIONS

| POS | CODE | OBSERVATIONS |
|-----|--------------|---|
| 9 | * 4404010040 | POUR: 42015 |
| 9 | * 4404010088 | POUR: 42016 |
| 9 | * 4404010134 | POUR: 42017 |
| 9 | * 4404010113 | POUR: 42018 |
| 9 | * 4404300924 | POUR: 42020 |
| 9 | * 4404010240 | POUR: 42022 |
| 11 | * 4404010135 | POUR: 42015 |
| 11 | * 4404010136 | POUR: 42016 |
| 11 | * 4404010118 | POUR: 42017 |
| 11 | * 4404010119 | POUR: 42018 |
| 11 | * 4404010120 | POUR: 42020 |
| 11 | * 4404010123 | POUR: 42022 |
| 12 | * 4404301004 | POUR: 42015, 42016, 42017, 42018 |
| 12 | * 4404300910 | POUR: 42020, 42022 |
| 13 | * 4404301003 | POUR: 42015, 42016, 42017, 42018, 42020 |
| 13 | * 4404300707 | POUR: 42022 |
| 14 | * 4404010131 | POUR: 42015 |
| 14 | * 4404010132 | POUR: 42016 |
| 14 | * 4404010114 | POUR: 42017 |
| 14 | * 4404010115 | POUR: 42018 |
| 14 | * 4404010116 | POUR: 42020 |
| 14 | * 4404010117 | POUR: 42022 |
| 15 | * 4404010025 | POUR: 42015, 42016, 42017 |
| 15 | * 4404010026 | POUR: 42018 |
| 15 | * 4404010028 | POUR: 42020 |
| 15 | * 4404010048 | POUR: 42022 |
| 16 | * 4404300917 | POUR: 42015 [4UT], 42016 [4UT], 42017 [4UT] |
| 16 | * 4404300915 | POUR: 42018 [4UT] |
| 16 | * 4404300916 | POUR: 42020 [6UT] |
| 16 | * 4404290109 | POUR: 42022 [6UT] |
| 17 | * 4404040103 | POUR: 42015, 42016, 42017, 42018 |
| 17 | * 4404040112 | POUR: 42020, 42022 |

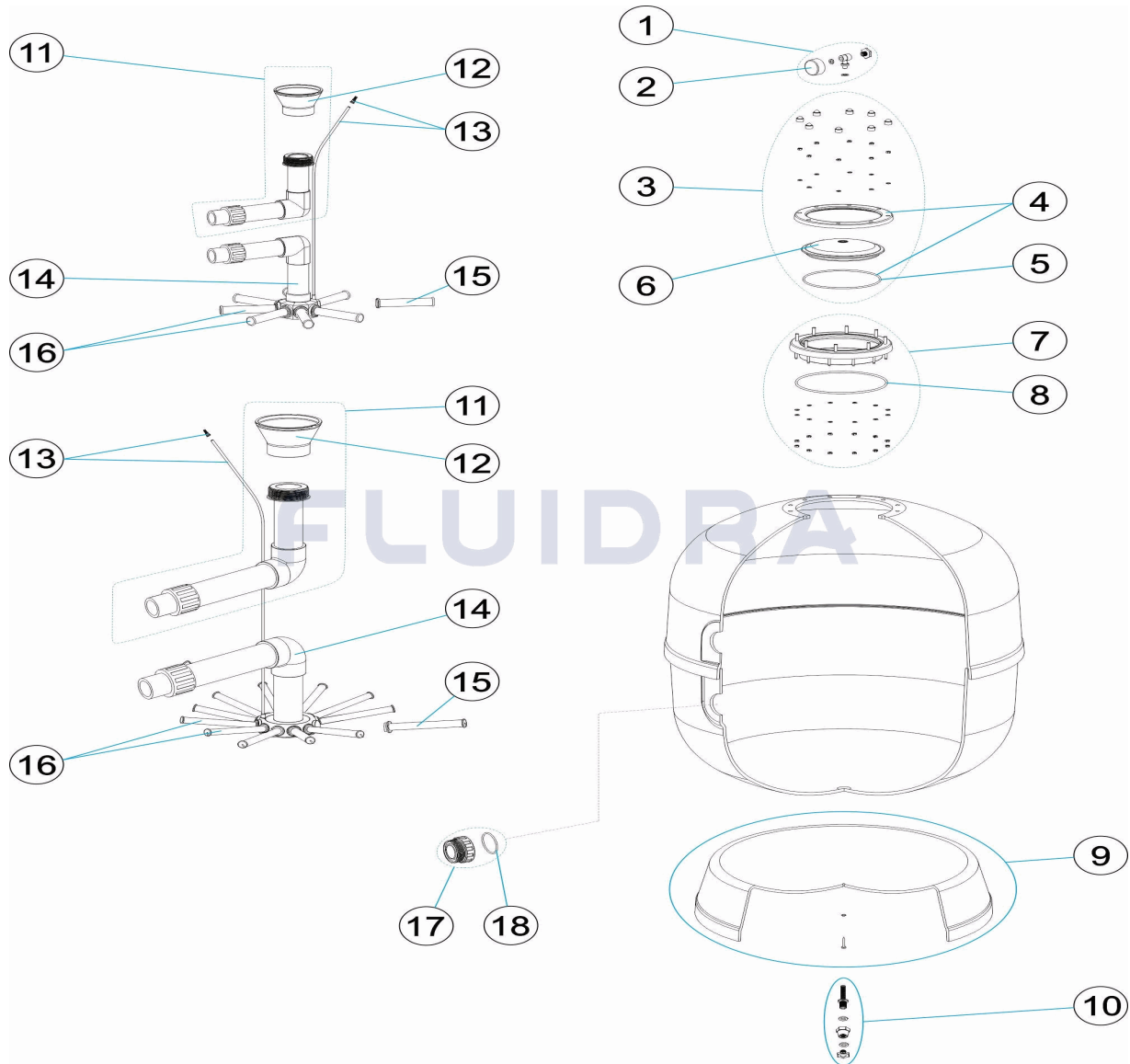
PARTS BREAKDOWN

REV.: 1
DATE: 03/04/2017
SHEET: 1/3

1111

CODE 42015, 42016, 42017, 42018, 42020, 42022

DESCRIPTION: SCREWS COVER ORION FILTER



ENGLISH

| POS | CODE | DESCRIPTION | QUANTITY | POS | CODE | DESCRIPTION | QUANTITY |
|-----|--------------|-------------------------------|----------|-----|--------------|--------------------------------|----------|
| 1 | 4404180404 | COMPLETE PRESSURE GAUGE UNIT | | 11 | * 4404010135 | DIFFUSER ASSEMBLY ASTER D. 350 | |
| 2 | 4404180405 | PRESSURE GAUGE 1/8" 3 KG./C " | | 11 | * 4404010136 | DIFFUSER ASSEMBLY ASTER D. 450 | |
| 3 | 4404190325 | KIT TRANSPARENT LID | | 11 | * 4404010118 | DIFFUSER ASSEMBLY D. 500 | |
| 4 | 4404260105 | 1 1/2" VALVE TOP FIXING RIN " | | 11 | * 4404010119 | DIFFUSER ASSEMBLY D. 600 | |
| 5 | 4404260106 | VALVE TOP RING FIXING GASKET | | 11 | * 4404010120 | DIFFUSER ASSEMBLY D. 750 | |
| 6 | 4404160847 | FILTER LID D. 220 BLACK | | 11 | * 4404010123 | DIFFUSER ASSEMBLY D. 900 2" | |
| 7 | 4404160809 | 20-SCREW NECK RING | | 12 | * 4404301004 | DIFFUSER CONE D. 50 | |
| 8 | 4404020116 | O' RING 255X4 | | 12 | * 4404300910 | DIFFUSER CONE D. 63 | |
| 9 | * 4404010040 | FILTER BASE D. 350 | | 13 | * 4404301003 | AIR PURGE + PIPE L=670 | |
| 9 | * 4404010088 | FILTER BASE D. 450 | | 13 | * 4404300707 | RIGID PIPE L-845 | |
| 9 | * 4404010134 | FILTER BASE | | 14 | * 4404010131 | MANIFOLD ASSEMBLY D. 350 | |
| 9 | * 4404010113 | FILTER BASE D. 600 | | 14 | * 4404010132 | MANIFOLD ASSEMBLY D. 450 | |
| 9 | * 4404300924 | FILTER BASE D. 750 | | 14 | * 4404010114 | MANIFOLD ASSEMBLY D. 500 | |

* SEE OBSERVATIONS SHEET

PARTS BREAKDOWN

REV.: 1
DATE: 03/04/2017
SHEET: 2/3

1111

CODE **42015, 42016, 42017, 42018, 42020, 42022**

DESCRIPTION: **SCREWS COVER ORION FILTER**

| | | | | | |
|----|--------------|------------------------------|----|--------------|-----------------------------|
| 9 | * 4404010240 | FILTER BASE D. 900 | 14 | * 4404010115 | MANIFOLD ASSEMBLY D. 600 |
| 10 | 4404010108 | WATER PURGE 3/8" | 14 | * 4404010116 | MANIFOLD ASSEMBLY D. 750 |
| 14 | * 4404010117 | MANIFOLD ASSEMBLY D. 900 | 16 | * 4404300915 | MANIFOLD ARM 1" 175 M " |
| 15 | * 4404010025 | MANIFOLD ARM ASSEMBLY D. 400 | 16 | * 4404300916 | MANIFOLD ARM 1" 225 M " |
| 15 | * 4404010026 | MANIFOLD ARM ASSEMBLY | 16 | * 4404290109 | COLLECTOR ARM 1" 265 M " |
| 15 | * 4404010028 | MANIFOLD ARM ASSEMBLY D. 650 | 17 | * 4404040103 | FITTING 1 1/2" + O'RIN " |
| 15 | * 4404010048 | MANIFOLD ARM ASSEMBLY D. 750 | 17 | * 4404040112 | 2" OUTLET FITTING + O'RIN " |
| 16 | * 4404300917 | MANIFOLD ARM 1" 110 M " | | | |

* SEE OBSERVATIONS SHEET

PARTS BREAKDOWN

REV.: 1
DATE: 03/04/2017
SHEET: 3/3

1111

CODE 42015, 42016, 42017, 42018, 42020, 42022

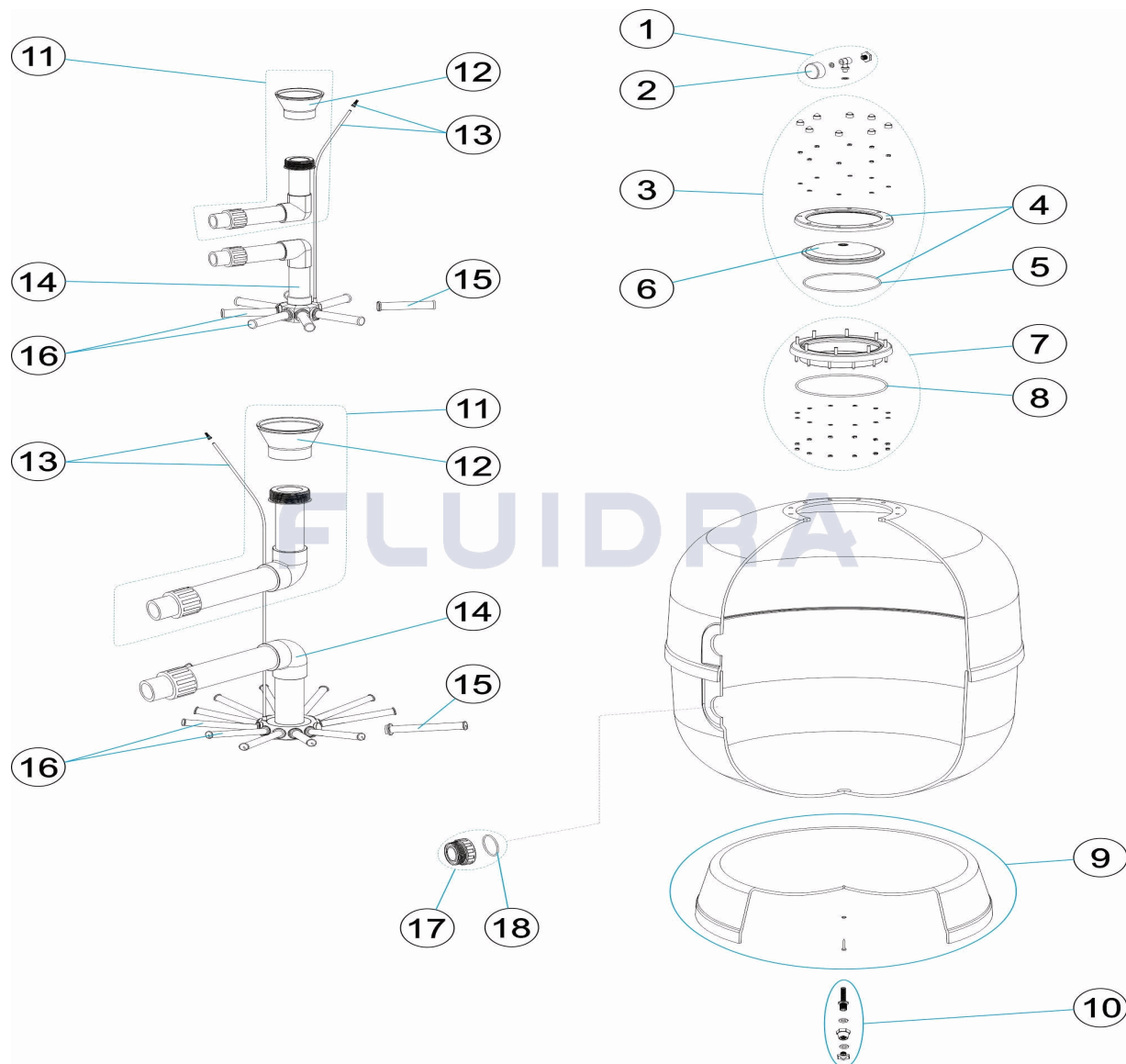
DESCRIPTION: SCREWS COVER ORION FILTER

OBSERVATIONS

| POS | CODE | OBSERVATIONS |
|-----|--------------|--|
| 9 | * 4404010040 | FOR: 42015 |
| 9 | * 4404010088 | FOR: 42016 |
| 9 | * 4404010134 | FOR: 42017 |
| 9 | * 4404010113 | FOR: 42018 |
| 9 | * 4404300924 | FOR: 42020 |
| 9 | * 4404010240 | FOR: 42022 |
| 11 | * 4404010135 | FOR: 42015 |
| 11 | * 4404010136 | FOR: 42016 |
| 11 | * 4404010118 | FOR: 42017 |
| 11 | * 4404010119 | FOR: 42018 |
| 11 | * 4404010120 | FOR: 42020 |
| 11 | * 4404010123 | FOR: 42022 |
| 12 | * 4404301004 | FOR: 42015, 42016, 42017, 42018 |
| 12 | * 4404300910 | FOR: 42020, 42022 |
| 13 | * 4404301003 | FOR: 42015, 42016, 42017, 42018, 42020 |
| 13 | * 4404300707 | FOR: 42022 |
| 14 | * 4404010131 | FOR: 42015 |
| 14 | * 4404010132 | FOR: 42016 |
| 14 | * 4404010114 | FOR: 42017 |
| 14 | * 4404010115 | FOR: 42018 |
| 14 | * 4404010116 | FOR: 42020 |
| 14 | * 4404010117 | FOR: 42022 |
| 15 | * 4404010025 | FOR: 42015, 42016, 42017 |
| 15 | * 4404010026 | FOR: 42018 |
| 15 | * 4404010028 | FOR: 42020 |
| 15 | * 4404010048 | FOR: 42022 |
| 16 | * 4404300917 | FOR: 42015 [4UT], 42016 [4UT], 42017 [4UT] |
| 16 | * 4404300915 | FOR: 42018 [4UT] |
| 16 | * 4404300916 | FOR: 42020 [6UT] |
| 16 | * 4404290109 | FOR: 42022 [6UT] |
| 17 | * 4404040103 | FOR: 42015, 42016, 42017, 42018 |
| 17 | * 4404040112 | FOR: 42020, 42022 |

CODICE 42015, 42016, 42017, 42018, 42020, 42022

DESCRIZIONE: FILTRO ORION COPERCHIO VITI


ITALIANO

| POS | CODICE | DESCRIZIONE | QUANTITA' | POS | CODICE | DESCRIZIONE | QUANTITA' |
|-----|--------------|--------------------------------------|-----------|-----|--------------|---------------------------------|-----------|
| 1 | 4404180404 | MANOMETRO COMPLETO | | 11 | * 4404010135 | RACCORDO DIFFUSORE ASTER D. 350 | |
| 2 | 4404180405 | MANOMETRO 1/8" 3 KG./C " | | 11 | * 4404010136 | RACCORDO DIFFUSORE ASTER D. 450 | |
| 3 | 4404190325 | GRUPPO COPERCHIO TRASPARENTE | | 11 | * 4404010118 | RACCORDO DIFFUSORE D. 500 | |
| 4 | 4404260105 | FLANGIA FISSAGGIO VALVOLE TOP 1 1/2" | | 11 | * 4404010119 | RACCORDO DIFFUSORE D. 600 | |
| 5 | 4404260106 | GUARNIZIONE FLANGIA FISSAGGIO VALVOL | | 11 | * 4404010120 | RACCORDO DIFFUSORE D. 750 | |
| 6 | 4404160847 | COPERCHIO FILTRO D. 220 NERO | | 11 | * 4404010123 | RACCORDO DIFFUSORE D. 900 - 2" | |
| 7 | 4404160809 | ANELLO COLLO 20 VITI | | 12 | * 4404301004 | CONO DIFFUSORE D. 50 | |
| 8 | 4404020116 | O-RING 255X4 | | 12 | * 4404300910 | CONO DIFFUSORE D. 63 | |
| 9 | * 4404010040 | BASE FILTRO D. 350 | | 13 | * 4404301003 | SPURGO ARIA + TUBO L=670 | |
| 9 | * 4404010088 | BASE FILTRO D. 450 | | 13 | * 4404300707 | TUBO RIGIDO L-845 | |
| 9 | * 4404010134 | BASE FILTRO | | 14 | * 4404010131 | KIT COLLETTORE D. 350 | |
| 9 | * 4404010113 | BASE FILTRO D.600 | | 14 | * 4404010132 | KIT COLLETTORE D. 450 | |
| 9 | * 4404300924 | BASE FILTRO D 750 | | 14 | * 4404010114 | KIT COLLETTORE D. 500 | |

* SI FACCIA RIFERIMENTO AL FOGLIO DELLE OSSERVAZIONI

ESPLOSO

REV.: 1
DATA: 03/04/2017
PAG.: 2/3

1111

CODICE **42015, 42016, 42017, 42018, 42020, 42022**

DESCRIZIONE: **FILTRO ORION COPERCHIO VITI**

| | | | | | |
|----|--------------|-----------------------------------|----|--------------|----------------------------------|
| 9 | * 4404010240 | BASE FILTRO D. 900 | 14 | * 4404010115 | KIT COLLETTORE D. 600 |
| 10 | 4404010108 | SCARICO ACQUA 3/8" | 14 | * 4404010116 | KIT COLLETTORE D. 750 |
| 14 | * 4404010117 | KIT COLLETTORE D. 900 | 16 | * 4404300915 | CANDELOTTO COLLETTORE 1" 175 M " |
| 15 | * 4404010025 | GRUPPO CANDELOTTO COLLETTORE D. 4 | 16 | * 4404300916 | CANDELOTTO COLLETTORE 1" 225 M " |
| 15 | * 4404010026 | GRUPPO CANDELOTTO COLLETTORE | 16 | * 4404290109 | CANDELOTTO 1" 265 M/M " |
| 15 | * 4404010028 | GRUPPO CANDELOTTO COLLETTORE D. 6 | 17 | * 4404040103 | RACCORDO 1 1/2" + O-RIN " |
| 15 | * 4404010048 | GRUPPO CANDELOTTO COLLETTORE D. 7 | 17 | * 4404040112 | RACCORDO USCITA 2" + O-RING |
| 16 | * 4404300917 | CANDELOTTO COLLETTORE 1" 110 M " | | | |

* SI FACCIA RIFERIMENTO AL FOGLIO DELLE OSSERVAZIONI

ESPLOSO

REV.: 1
DATA: 03/04/2017
PAG.: 3/3

1111

CODICE **42015, 42016, 42017, 42018, 42020, 42022**

DESCRIZIONE: **FILTRO ORION COPERCHIO VITI**

OSSERVAZIONI

| POS | CODICE | OSSERVAZIONI |
|-----|--------------|--|
| 9 | * 4404010040 | PER: 42015 |
| 9 | * 4404010088 | PER: 42016 |
| 9 | * 4404010134 | PER: 42017 |
| 9 | * 4404010113 | PER: 42018 |
| 9 | * 4404300924 | PER: 42020 |
| 9 | * 4404010240 | PER: 42022 |
| 11 | * 4404010135 | PER: 42015 |
| 11 | * 4404010136 | PER: 42016 |
| 11 | * 4404010118 | PER: 42017 |
| 11 | * 4404010119 | PER: 42018 |
| 11 | * 4404010120 | PER: 42020 |
| 11 | * 4404010123 | PER: 42022 |
| 12 | * 4404301004 | PER: 42015, 42016, 42017, 42018 |
| 12 | * 4404300910 | PER: 42020, 42022 |
| 13 | * 4404301003 | PER: 42015, 42016, 42017, 42018, 42020 |
| 13 | * 4404300707 | PER: 42022 |
| 14 | * 4404010131 | PER: 42015 |
| 14 | * 4404010132 | PER: 42016 |
| 14 | * 4404010114 | PER: 42017 |
| 14 | * 4404010115 | PER: 42018 |
| 14 | * 4404010116 | PER: 42020 |
| 14 | * 4404010117 | PER: 42022 |
| 15 | * 4404010025 | PER: 42015, 42016, 42017 |
| 15 | * 4404010026 | PER: 42018 |
| 15 | * 4404010028 | PER: 42020 |
| 15 | * 4404010048 | PER: 42022 |
| 16 | * 4404300917 | PER: 42015 [4UT], 42016 [4UT], 42017 [4UT] |
| 16 | * 4404300915 | PER: 42018 [4UT] |
| 16 | * 4404300916 | PER: 42020 [6UT] |
| 16 | * 4404290109 | PER: 42022 [6UT] |
| 17 | * 4404040103 | PER: 42015, 42016, 42017, 42018 |
| 17 | * 4404040112 | PER: 42020, 42022 |

EINZELTEILE

ÜBER.: 1

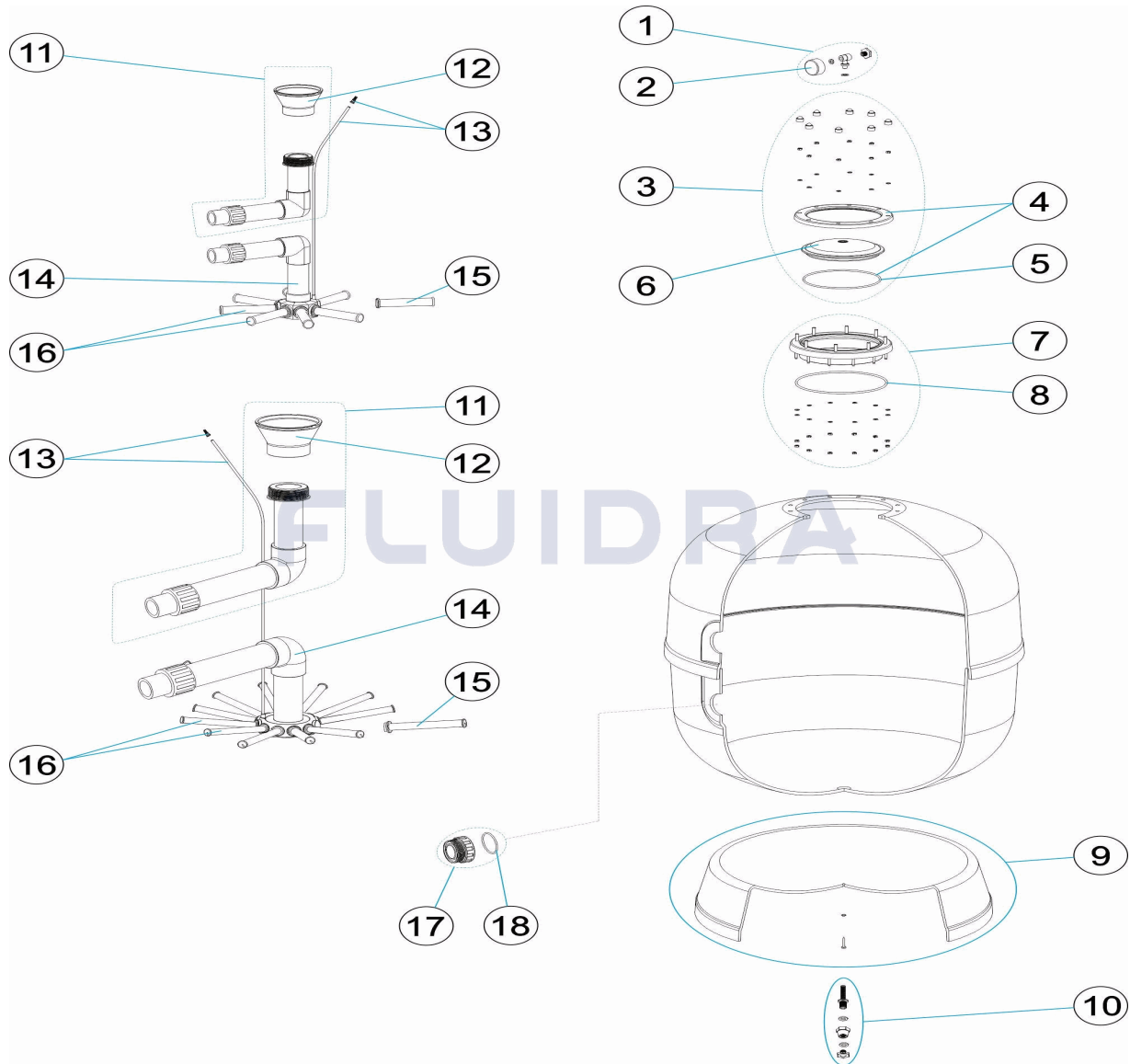
1111

DATUM: 03/04/2017

BLATT: 1/3

CODE 42015, 42016, 42017, 42018, 42020, 42022

BESCHREIBUNG: FILTER ORION SCHRAUBEN



DEUTSCH

| POS | CODE | BESCHREIBUNG | MENGE | POS | CODE | BESCHREIBUNG | MENGE |
|-----|--------------|------------------------------|-------|-----|--------------|---------------------------------|-------|
| 1 | 4404180404 | MANOMETER KOMPLETT | | 11 | * 4404010135 | SET WASSERVERTEILER ASTER 350 | |
| 2 | 4404180405 | MANOMETER 1/8" 3 KG/C " | | 11 | * 4404010136 | SET WASSERVERTEILER ASTER 450 | |
| 3 | 4404190325 | GRUPPE ABDECKUNG TRANSPARENT | | 11 | * 4404010118 | SET WASSERVERTEILER D. 500 | |
| 4 | 4404260105 | FIXIERRING VENTIL TOP 1 1/2" | | 11 | * 4404010119 | SET WASSERVERTEILER D. 600 | |
| 5 | 4404260106 | DICHTUNG FIXIERRING VENTIL | | 11 | * 4404010120 | SET WASSERVERTEILER D. 750 | |
| 6 | 4404160847 | FILTERDECKEL D. 220 SCHWARZ | | 11 | * 4404010123 | SET WASSERVERTEILER D. 900 - 2" | |
| 7 | 4404160809 | FILTERRING 20 SCHRAUBEN | | 12 | * 4404301004 | KEGEL WASSERVERTEILER D. 50 | |
| 8 | 4404020116 | O-RING 255 X 4 | | 12 | * 4404300910 | KEGEL WASSERVERTEILER D. 63 | |
| 9 | * 4404010040 | FILTERFUSS D. 350 | | 13 | * 4404301003 | ENTLÜFTUNG UND ROHR L=670 | |
| 9 | * 4404010088 | FILTERFUSS D. 450 | | 13 | * 4404300707 | ROHR HART L - 845 | |
| 9 | * 4404010134 | FILTERFUSS | | 14 | * 4404010131 | SAMMELROHRSET D. 350 | |
| 9 | * 4404010113 | FILTERFUSS D. 600 | | 14 | * 4404010132 | SAMMELROHRSET D. 450 | |
| 9 | * 4404300924 | FILTERFUSS D. 750 | | 14 | * 4404010114 | SAMMELROHRSET D. 500 | |

* SIEHE ANMERKUGSBLATT

EINZELTEILE

ÜBER.: 1

1111

DATUM: 03/04/2017

BLATT: 2/3

CODE **42015, 42016, 42017, 42018, 42020, 42022**BESCHREIBUNG: **FILTER ORION SCHRAUBEN**

| | | | | | |
|----|--------------|------------------------------------|----|--------------|-------------------------------------|
| 9 | * 4404010240 | FILTERFUSS D. 900 | 14 | * 4404010115 | SAMMELROHRSET D. 600 |
| 10 | 4404010108 | WASSERABLASS 3/8" | 14 | * 4404010116 | SAMMELROHRSET D. 750 |
| 14 | * 4404010117 | SAMMELROHRSET D. 900 | 16 | * 4404300915 | FILTERSTERN-SCHLITZROHR 1" 175 M " |
| 15 | * 4404010025 | SET FILTERSTERN-SCHLITZROHR D. 400 | 16 | * 4404300916 | FILTERSTERN-SCHLITZROHR 1" 225 M " |
| 15 | * 4404010026 | SET FILTERSTERN-SCHLITZROHR | 16 | * 4404290109 | FILTERSTERN-SCHLITZROHR 1" 265 M " |
| 15 | * 4404010028 | SET FILTERSTERN-SCHLITZROHR D. 650 | 17 | * 4404040103 | GEWINDESTÜCK 1 1/2" UND O-RIN " |
| 15 | * 4404010048 | SET FILTERSTERN-SCHLITZROHR D. 750 | 17 | * 4404040112 | GEWINDESTÜCK AUSGANG 2" UND O-RIN ' |
| 16 | * 4404300917 | FILTERSTERN-SCHLITZROHR 1" 110 M " | | | |

*** SIEHE ANMERKUNGSBLATT**

EINZELTEILE

ÜBER.: 1

1111

DATUM: 03/04/2017

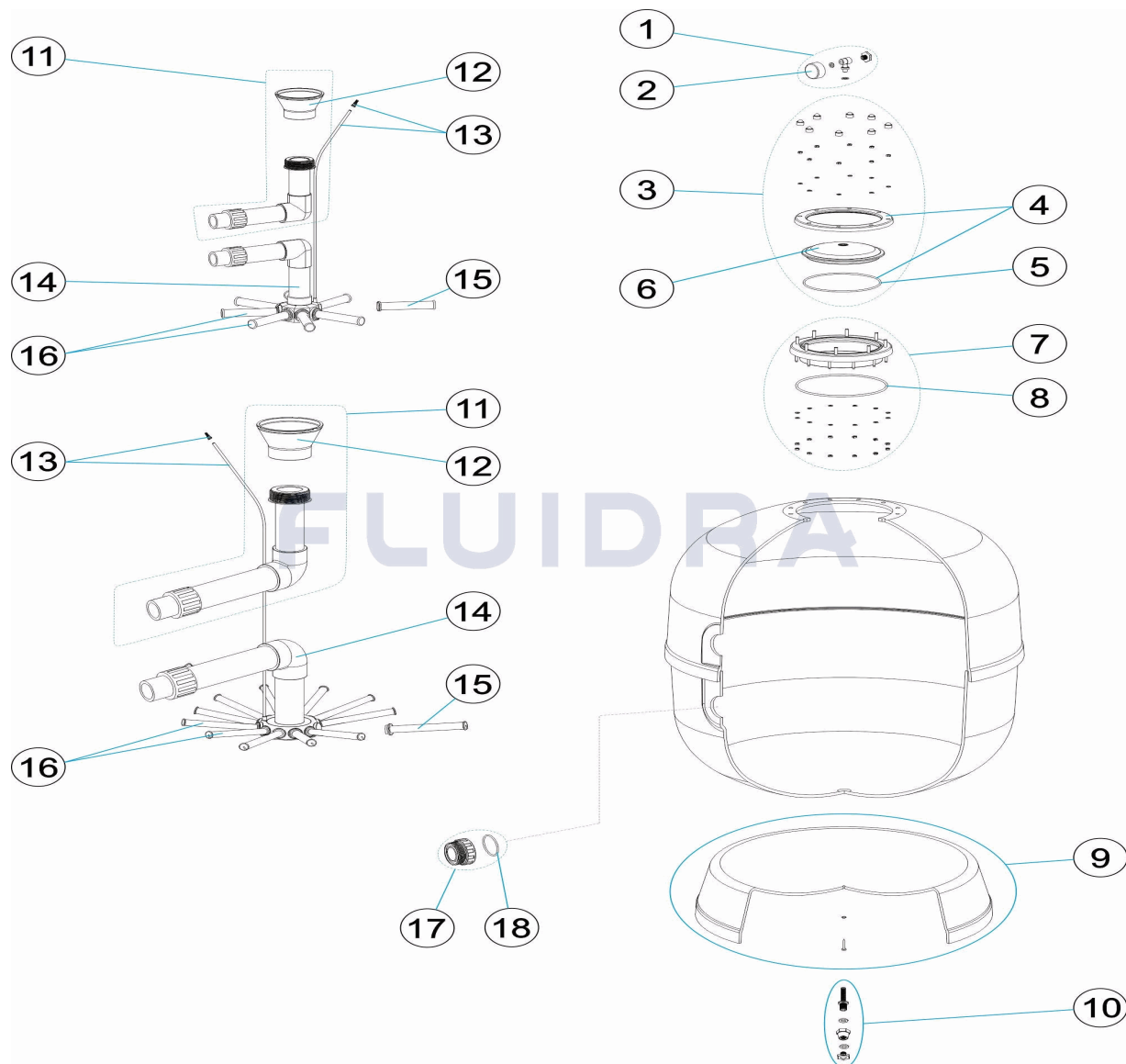
BLATT: 3/3

CODE **42015, 42016, 42017, 42018, 42020, 42022**BESCHREIBUNG: **FILTER ORION SCHRAUBEN**

HINWEISE

| POS | CODE | HINWEISE |
|-----|--------------|--|
| 9 | * 4404010040 | FÜR: 42015 |
| 9 | * 4404010088 | FÜR: 42016 |
| 9 | * 4404010134 | FÜR: 42017 |
| 9 | * 4404010113 | FÜR: 42018 |
| 9 | * 4404300924 | FÜR: 42020 |
| 9 | * 4404010240 | FÜR: 42022 |
| 11 | * 4404010135 | FÜR: 42015 |
| 11 | * 4404010136 | FÜR: 42016 |
| 11 | * 4404010118 | FÜR: 42017 |
| 11 | * 4404010119 | FÜR: 42018 |
| 11 | * 4404010120 | FÜR: 42020 |
| 11 | * 4404010123 | FÜR: 42022 |
| 12 | * 4404301004 | FÜR: 42015, 42016, 42017, 42018 |
| 12 | * 4404300910 | FÜR: 42020, 42022 |
| 13 | * 4404301003 | FÜR: 42015, 42016, 42017, 42018, 42020 |
| 13 | * 4404300707 | FÜR: 42022 |
| 14 | * 4404010131 | FÜR: 42015 |
| 14 | * 4404010132 | FÜR: 42016 |
| 14 | * 4404010114 | FÜR: 42017 |
| 14 | * 4404010115 | FÜR: 42018 |
| 14 | * 4404010116 | FÜR: 42020 |
| 14 | * 4404010117 | FÜR: 42022 |
| 15 | * 4404010025 | FÜR: 42015, 42016, 42017 |
| 15 | * 4404010026 | FÜR: 42018 |
| 15 | * 4404010028 | FÜR: 42020 |
| 15 | * 4404010048 | FÜR: 42022 |
| 16 | * 4404300917 | FÜR: 42015 [4UT], 42016 [4UT], 42017 [4UT] |
| 16 | * 4404300915 | FÜR: 42018 [4UT] |
| 16 | * 4404300916 | FÜR: 42020 [6UT] |
| 16 | * 4404290109 | FÜR: 42022 [6UT] |
| 17 | * 4404040103 | FÜR: 42015, 42016, 42017, 42018 |
| 17 | * 4404040112 | FÜR: 42020, 42022 |

CODIGO **42015, 42016, 42017, 42018, 42020, 42022**

 DESCRIÇÃO: **FILTRO ORION TAMPA PARAFUSOS**

PORTUGUES

| POS | CODIGO | DESCRIÇÃO | JANTIDADE | POS | CODIGO | DESCRIÇÃO | JANTIDADE |
|-----|--------------|--------------------------------|-----------|--------------|----------------------------|-----------|-----------|
| 1 | 4404180404 | MANÓMETRO COMPLETO | 11 | * 4404010135 | CJTO. DIFUSOR ASTER D. 350 | | |
| 2 | 4404180405 | MANOMETRO 1/8" 3 KG./C " | 11 | * 4404010136 | CJTO. DIFUSOR ASTER D. 450 | | |
| 3 | 4404190325 | CONJUNTO TAMPA TRANSPARENTE | 11 | * 4404010118 | CJTO. DIFUSOR D. 500 | | |
| 4 | 4404260105 | ARO FIXAÇÃO VALVULA TOP 1 1/2" | 11 | * 4404010119 | CJTO. DIFUSOR D. 600 | | |
| 5 | 4404260106 | JUNTA ARO FIXAÇÃO VALVULA TOP | 11 | * 4404010120 | CJTO. DIFUSOR D. 750 | | |
| 6 | 4404160847 | TAMPA FILTRO D.220 NEGRA | 11 | * 4404010123 | CJTO. DIFUSOR D. 900 - 2" | | |
| 7 | 4404160809 | ARO PESCOÇOÇO 20 PARAFUSOS | 12 | * 4404301004 | CONO DIFUSOR D. 50 | | |
| 8 | 4404020116 | JUNTA TÓRICA 255X4 | 12 | * 4404300910 | CONO DIFUSOR D. 63 | | |
| 9 | * 4404010040 | PÉ FILTRO D. 350 | 13 | * 4404301003 | PURGA AR + TUBO L=670 | | |
| 9 | * 4404010088 | PÉ FILTRO D. 450 | 13 | * 4404300707 | TUBO RÍGIDO L-845 | | |
| 9 | * 4404010134 | PÉ FILTRO | 14 | * 4404010131 | CJTO. COLECTOR D. 350 | | |
| 9 | * 4404010113 | PÉ FILTRO D. 600 | 14 | * 4404010132 | CJTO. COLECTOR D. 450 | | |
| 9 | * 4404300924 | PÉ FILTRO D 750 | 14 | * 4404010114 | CJTO. COLECTOR D. 500 | | |

*** VEJA A FICHA DE OBSERVAÇÕES**

ITEM

REV.: 1

1111

DATA: 03/04/2017

FOLHA: 2/3

CODIGO **42015, 42016, 42017, 42018, 42020, 42022**DESCRICAÇÃO: **FILTRO ORION TAMPA PARAFUSOS**

| | | | | | |
|----|--------------|-----------------------------|----|--------------|------------------------------------|
| 9 | * 4404010240 | PÉ FILTRO D. 900 | 14 | * 4404010115 | CJTO. COLECTOR D. 600 |
| 10 | 4404010108 | PURGA AGUA 3/8" | 14 | * 4404010116 | CJTO. COLECTOR D. 750 |
| 14 | * 4404010117 | CJTO. COLECTOR D. 900 | 16 | * 4404300915 | BRAÇO COLECTOR 1" 175 M " |
| 15 | * 4404010025 | CJTO. BRAÇO COLECTOR D. 400 | 16 | * 4404300916 | BRAÇO COLECTOR 1" 225 M " |
| 15 | * 4404010026 | CJTO. BRAÇO COLECTOR | 16 | * 4404290109 | BRAÇO COLECTOR 1" 265 M/M " |
| 15 | * 4404010028 | CJTO. BRAÇO COLECTOR D.650 | 17 | * 4404040103 | RACORD 1 1/2" JUNTA TORIC " |
| 15 | * 4404010048 | CJTO. BRAÇO COLECTOR D. 750 | 17 | * 4404040112 | ACOPLADOR SAÍDA 2" + JUNTA TORIC " |
| 16 | * 4404300917 | BRAÇO COLECTOR 1" 110 M " | | | |

* VEJA A FICHA DE OBSERVAÇÕES

ITEM

REV.: 1

1111

DATA: 03/04/2017

FOLHA: 3/3

CODIGO **42015, 42016, 42017, 42018, 42020, 42022**DESCRICAÇÃO: **FILTRO ORION TAMPA PARAFUSOS**

OBSERVAÇÕES

| POS | CODIGO | OBSERVAÇÕES |
|-----|--------------|---|
| 9 | * 4404010040 | PARA: 42015 |
| 9 | * 4404010088 | PARA: 42016 |
| 9 | * 4404010134 | PARA: 42017 |
| 9 | * 4404010113 | PARA: 42018 |
| 9 | * 4404300924 | PARA: 42020 |
| 9 | * 4404010240 | PARA: 42022 |
| 11 | * 4404010135 | PARA: 42015 |
| 11 | * 4404010136 | PARA: 42016 |
| 11 | * 4404010118 | PARA: 42017 |
| 11 | * 4404010119 | PARA: 42018 |
| 11 | * 4404010120 | PARA: 42020 |
| 11 | * 4404010123 | PARA: 42022 |
| 12 | * 4404301004 | PARA: 42015, 42016, 42017, 42018 |
| 12 | * 4404300910 | PARA: 42020, 42022 |
| 13 | * 4404301003 | PARA: 42015, 42016, 42017, 42018, 42020 |
| 13 | * 4404300707 | PARA: 42022 |
| 14 | * 4404010131 | PARA: 42015 |
| 14 | * 4404010132 | PARA: 42016 |
| 14 | * 4404010114 | PARA: 42017 |
| 14 | * 4404010115 | PARA: 42018 |
| 14 | * 4404010116 | PARA: 42020 |
| 14 | * 4404010117 | PARA: 42022 |
| 15 | * 4404010025 | PARA: 42015, 42016, 42017 |
| 15 | * 4404010026 | PARA: 42018 |
| 15 | * 4404010028 | PARA: 42020 |
| 15 | * 4404010048 | PARA: 42022 |
| 16 | * 4404300917 | PARA: 42015 [4UT], 42016 [4UT], 42017 [4UT] |
| 16 | * 4404300915 | PARA: 42018 [4UT] |
| 16 | * 4404300916 | PARA: 42020 [6UT] |
| 16 | * 4404290109 | PARA: 42022 [6UT] |
| 17 | * 4404040103 | PARA: 42015, 42016, 42017, 42018 |
| 17 | * 4404040112 | PARA: 42020, 42022 |