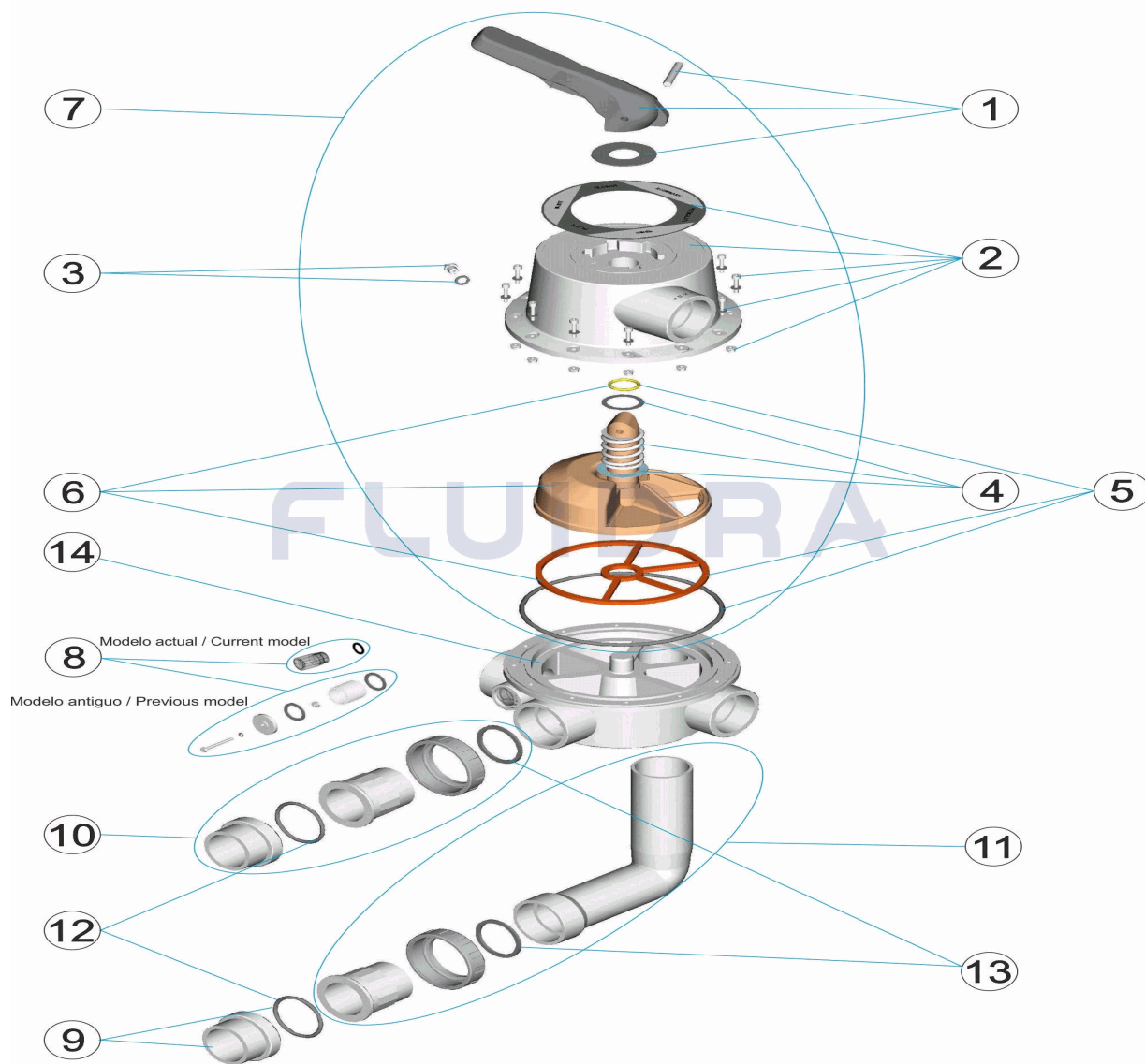


CODIGO **24840**

DESCRIPCION: **VALVULA SELECTORA 2 1/2"**



ESPAÑOL

POS	CODIGO	DESCRIPCION	CANTIDAD	POS	CODIGO	DESCRIPCION	CANTIDAD
1	4404120701	MANETA NEGRA 2 1/2'		8	* 4404120014	VISOR CON JUNTA MIDA	
2	4404120042	TAPA CON CARATULA NEGRA 2 1/2"		9	4404121002	MANGUITO EXTERIOR 75 CON JUNTA	
3	4404120109	TAPON 1/4' VALVULA		10	4404121308	ENLACE RECTO 2 1/2"	
4	4404120703	RESORTE CON ARANDELAS 2 1/2'		11	4404121309	ENLACE ACODADO 2 1/2"	
5	4404120705	JUNTAS VALVULA 2 1/2'		12	4404121301	JUNTA ENLACE 2 1/2"	
6	4404120704	DISTRIBUIDOR CON JUNTAS 2 1/2'		13	4404121303	JUNTA PLANA 72X61X3,5	
7	4404120043	CJTO. SUPERIOR 2 1/2"		14	24840R0101	CUERPO VALVULA SELECTORA 2 1/2"	
8	* 4404120706	VISOR COMPLETO					

CODIGO 24840

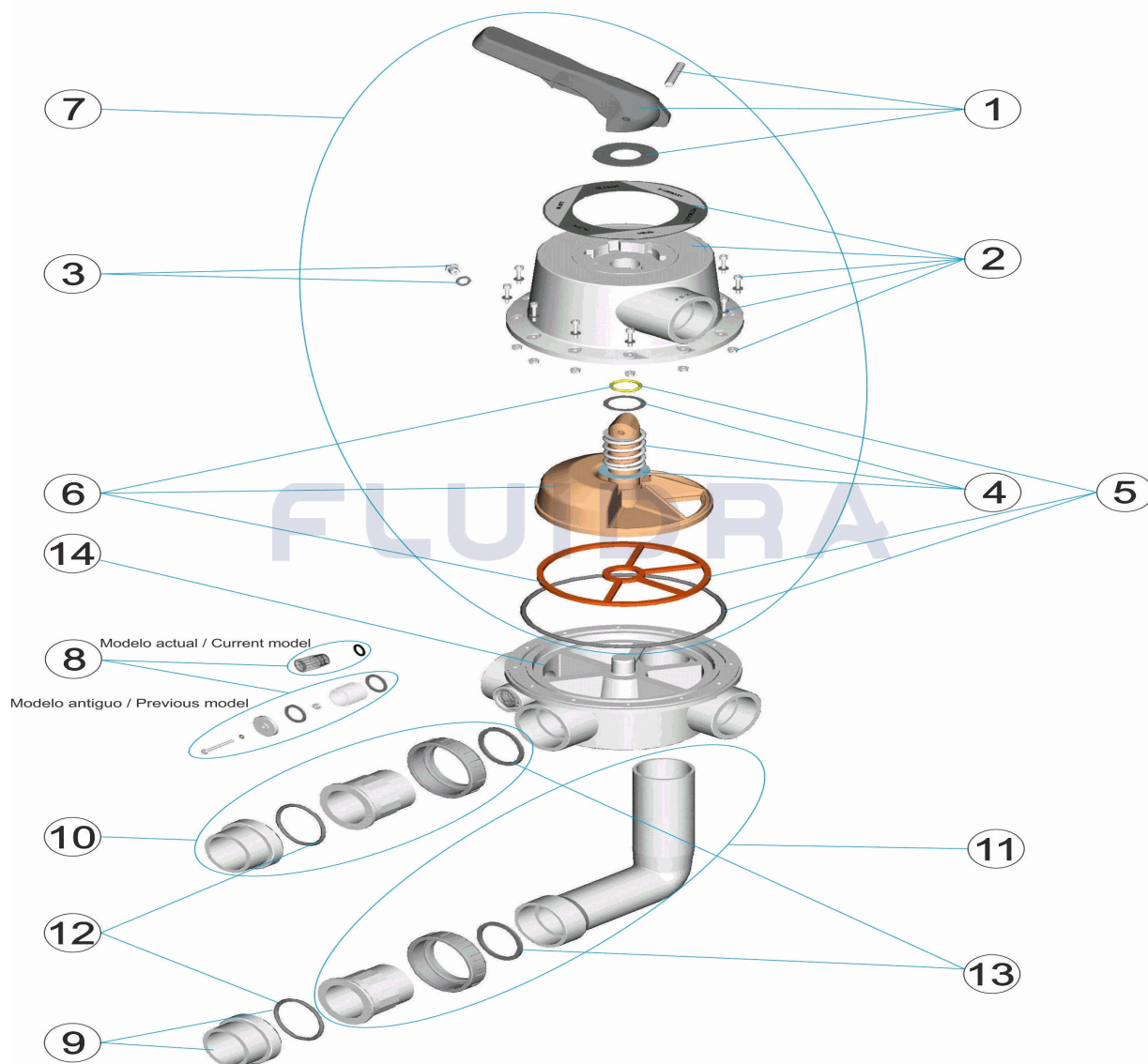
DESCRIPCION: VALVULA SELECTORA 2 1/2"

OBSERVACIONES

POS	CODIGO	OBSERVACIONES
8	* 4404120706	PARA: MODELO ANTIGUO / PREVIOUS MODEL
8	* 4404120014	PARA: MODELO ACTUAL / CURRENT MODEL

CODE 24840

DESCRIPTION: VALVOLA SELETRICE 2 1/2"



FRANCAIS

POS	CODE	DESCRIPTION	QUANTITE	POS	CODE	DESCRIPTION	QUANTITE
1	4404120701	POIGNEE NOIRE 2 1/2"		8	* 4404120014	VOYANT ET JOINT MIDAS	
2	4404120042	COUVERCLE NOIR 2 1/2' ET VIS		9	4404121002	MANCHON EXTÉRIEUR 75 AVEC JOINT	
3	4404120109	BOUCHON 1/4'		10	4404121308	SORTIE DROITE 2 1/2"	
4	4404120703	RESSORT ET RONDELLES 2 1/2'		11	4404121309	SORTIE COUDEE 2 1/2"	
5	4404120705	JOINTS 2 1/2'		12	4404121301	JOINT 2 1/2"	
6	4404120704	BOISSEAU AVEC JOINTS 2 1/2'		13	4404121303	JOINT PLAT 72X61X3,5	
7	4404120043	ENSEMBLE SUPÉRIEUR 2 1/2"		14	24840R0101	CORP DE VANNE DE SELECTION 2 1/2"	
8	* 4404120706	VOYANT COMPLET					

CODE **24840**

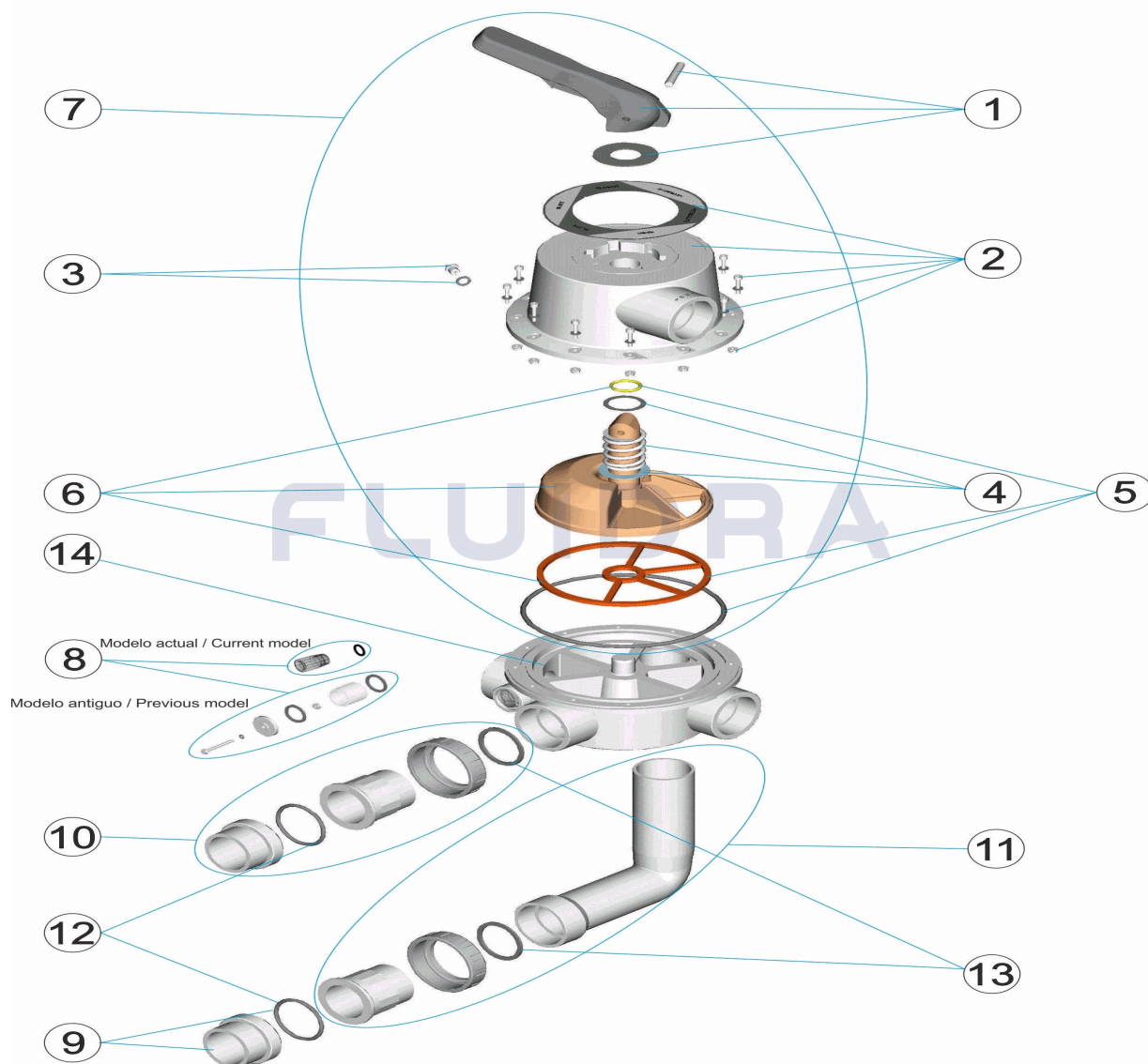
DESCRIPTION: **VALVOLA SELETRICE 2 1/2"**

OBSERVATIONS

POS	CODE	OBSERVATIONS
8	* 4404120706	POUR: MODELO ANTIGUO / PREVIOUS MODEL
8	* 4404120014	POUR: MODELO ACTUAL / CURRENT MODEL

CODE **24840**

DESCRIPTION: **SÉLECTEUR 2 1/2"**



ENGLISH

POS	CODE	DESCRIPTION	QUANTITY	POS	CODE	DESCRIPTION	QUANTITY
1	4404120701	BLACK HANDLE 2 1/2'		8	* 4404120014	VISOR WITH SEAL MIDAS	
2	4404120042	BLACK TOP 2 1/2'		9	4404121002	EXTERNAL UNION 75 WITH SEAL	
3	4404120109	PLUG 1/4'		10	4404121308	UNION 2 1/2"	
4	4404120703	SPRING WITH WASHERS 2 1/2'		11	4404121309	ELBOW 2 1/2'	
5	4404120705	GASKETS 2 1/2'		12	4404121301	GASKET 2 1/2"	
6	4404120704	DISTRIBUTOR WITH GASKETS 2 1/2'		13	4404121303	INLET GASKET 72X61X3,5	
7	4404120043	SET. SUPERIOR 2 1/2		14	24840R0101	VALVE BODY 2 1/2"	
8	* 4404120706	VISOR COMPLETE					

CODE **24840**

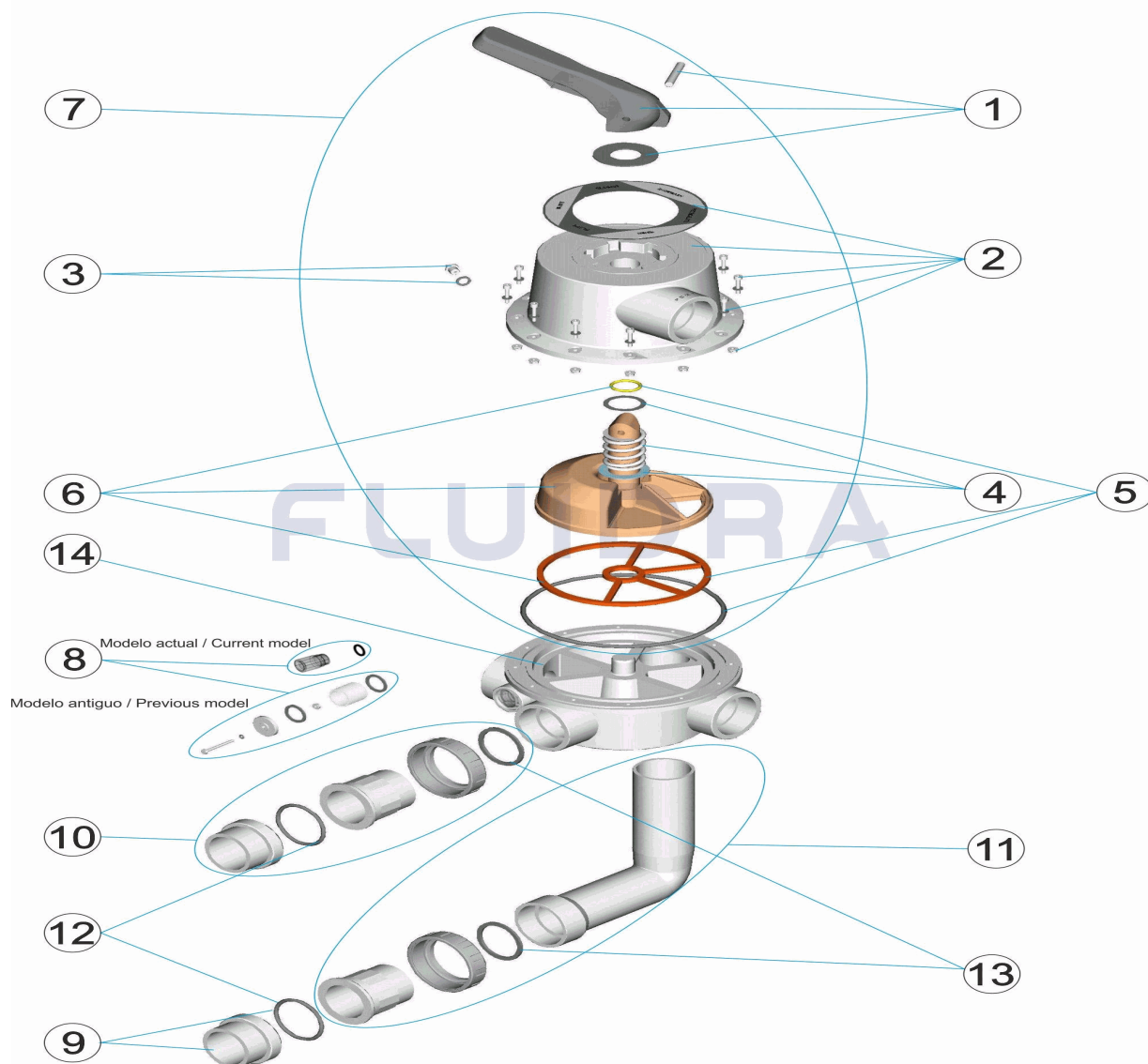
DESCRIPTION: **SÉLECTEUR 2 1/2"**

OBSERVATIONS

POS	CODE	OBSERVATIONS
8	* 4404120706	FOR: MODELO ANTIGUO / PREVIOUS MODEL
8	* 4404120014	FOR: MODELO ACTUAL / CURRENT MODEL

CODICE 24840

DESCRIZIONE: WECHSELVENTIL 2 1/2"



ITALIANO

POS	CODICE	DESCRIZIONE	QUANTITA'	POS	CODICE	DESCRIZIONE	QUANTITA'
1	4404120701	MANIGLIA NERA 2 1/2"		8	* 4404120014	VISORE CON GUARNIZIONE MIDAS	
2	4404120042	COPERCHIO CON MASCHERA NERA 2 1/2"		9	4404121002	MANICOTTO ESTERNO 75 CON GUARNIZIC	
3	4404120109	COPERCHIO 1/4" PER VALVOLA		10	4404121308	GUARNIZIONE PER RACCORDO 2 1/2"	
4	4404120703	MOLLA CON RONDELLE 2 1/2"		11	4404121309	RACCORDO A GOMITO 2 1/2"	
5	4404120705	GUARNIZIONI VALVOLA 2 1/2"		12	4404121301	GUARNIZIONE D.2 1/2"	
6	4404120704	DISTRIBUTORE CON GUARNIZIONI 2 1/2" V		13	4404121303	GUERNIZIONE PIANA 72X61X3,5	
7	4404120043	KIT PARTE SUPERIORE SELETRICE 2 1/2"		14	24840R0101	CORPO VALVOLA SELETRICE 2 1/2"	
8	* 4404120706	VISORE COMPLETO					

CODICE **24840**

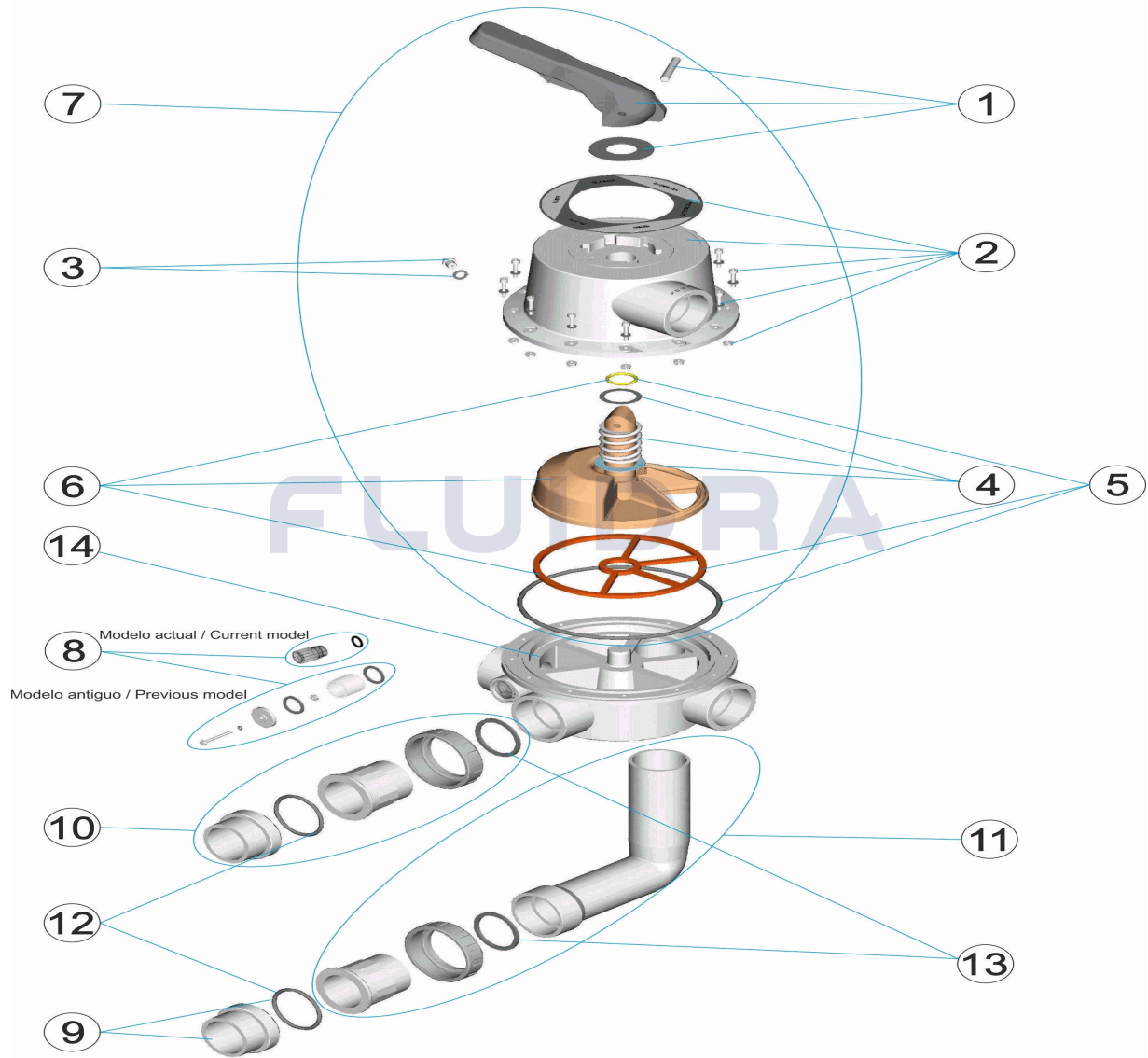
DESCRIZIONE: **WECHSELVENTIL 2 1/2"**

OSSERVAZIONI

POS	CODICE	OSSERVAZIONI
8	* 4404120706	PER: MODELO ANTIGUO / PREVIOUS MODEL
8	* 4404120014	PER: MODELO ACTUAL / CURRENT MODEL

CODE **24840**

BESCHREIBUNG: **MEHRWEGVENTIL 2 1/2"**



DEUTSCH

POS	CODE	BESCHREIBUNG	MENGE	POS	CODE	BESCHREIBUNG	MENGE
1	4404120701	GRIFF SCHWARZ 2 1/2'		8	* 4404120014	SCHAUGLAS UND DICHTUNG MIDA	
2	4404120042	ABDECKUNG MIT BEDIENFELD SCHWARZ		9	4404121002	NIPPEL AUSSEN 75 UND DICHTUNG	
3	4404120109	STOPFEN 1/4' VENTIL		10	4404121308	ANSCHLUSS GERADE 2 1/2"	
4	4404120703	FEDER MIT UNTERLEGSCHIEBEN 2 1/2'		11	4404121309	ANSCHLUSSWINKEL 2 1/2"	
5	4404120705	VENTILDICHTUNGEN 2 1/2'		12	4404121301	DICHTUNG ANSCHLUSS 2 1/2"	
6	4404120704	VERTEILER UND DICHTUNGEN 2 1/2'		13	4404121303	FLACHDICHTUNG 72 X 61 X 3,5	
7	4404120043	SET OBEN 2 1/2"		14	24840R0101	GEHÄUSE MEHRWEGVENTIL 2 1/2"	
8	* 4404120706	SCHAUGLAS KOMPLETT					

CODE **24840**

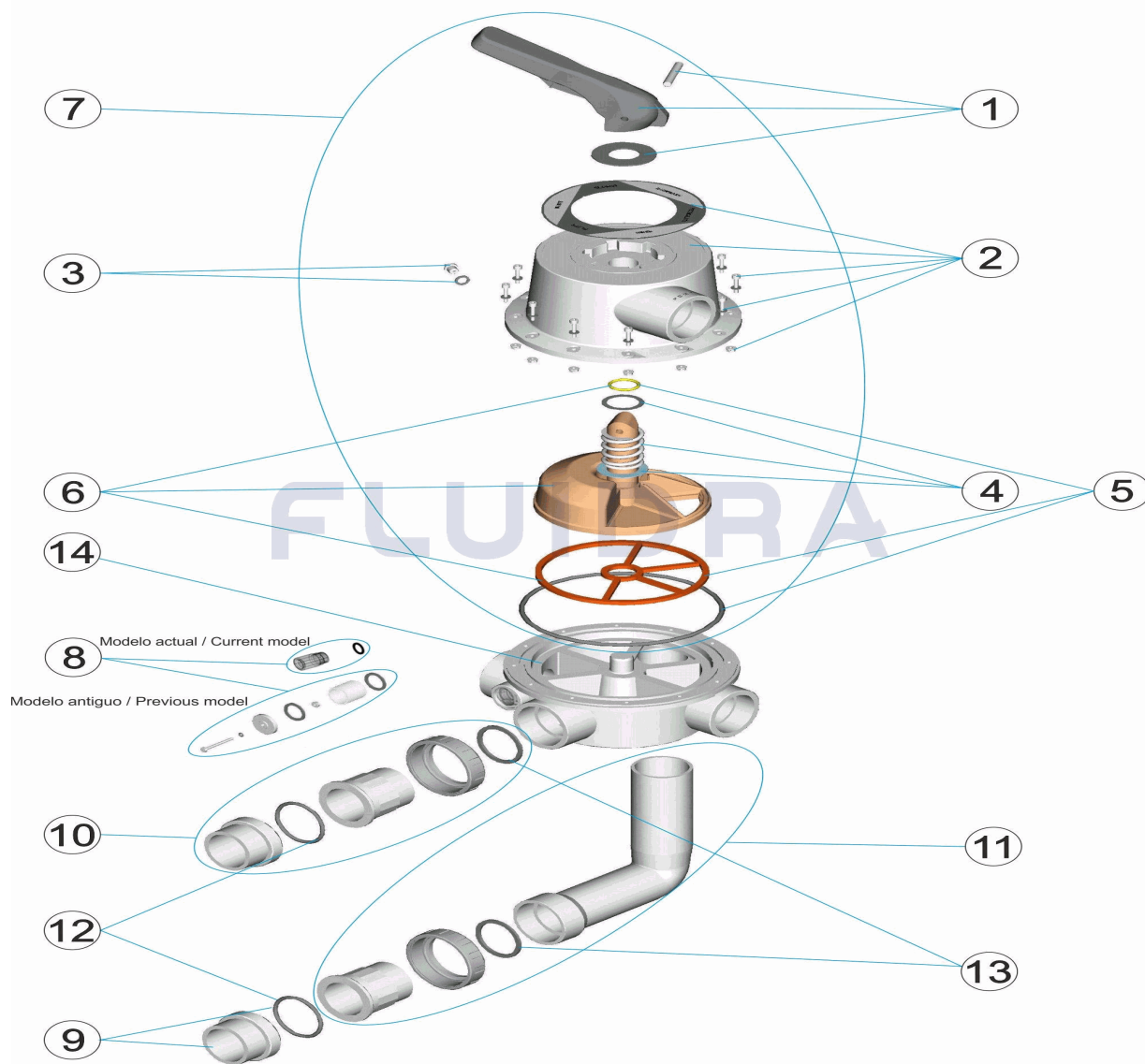
BESCHREIBUNG: **MEHRWEGVENTIL 2 1/2"**

HINWEISE

POS	CODE	HINWEISE
8	* 4404120706	FÜR: MODELO ANTIGUO / PREVIOUS MODEL
8	* 4404120014	FÜR: MODELO ACTUAL / CURRENT MODEL

CODIGO **24840**

DESCRIÇÃO: **VÁLVULA SELECTORA 2 1/2"**



PORTUGUES

POS	CODIGO	DESCRIÇÃO	JANTIDADE	POS	CODIGO	DESCRIÇÃO	JANTIDADE
1	4404120701	MANIPULO PRETO 2 1/2'		8	* 4404120014	VISOR COM JUNTA MIDAS	
2	4404120042	TAMPA DA VÁLVULA PRETA 2 1/2'		9	4404121002	MANGUITO EXTERIOR 75 COM JUNTA	
3	4404120109	TAMPÃO 1/4' VÁLVULA		10	4404121308	LIGAÇÃO RECTA 2	
4	4404120703	MOLA COM ANILHAS 2 1/2'		11	4404121309	LIGAÇÃO CURVA 2 1/2"	
5	4404120705	JUNTAS VÁLVULA 2 1/2'		12	4404121301	JUNTA 2 1/2"	
6	4404120704	DISTRIBUIDOR COM JUNTAS 2 1/2'		13	4404121303	JUNTA PLANA 72X61X3,5	
7	4404120043	CONJUNTO SUPERIOR 2 1/2"		14	24840R0101	CORPO VALVULA SELECTORA 2 1/2"	
8	* 4404120706	VISOR COMPLETO					

CODIGO 24840

DESCRIÇÃO: VÁLVULA SELECTORA 2 1/2"

OBSERVAÇÕES

POS	CODIGO	OBSERVAÇÕES
8	* 4404120706	PARA: MODELO ANTIGUO / PREVIOUS MODEL
8	* 4404120014	PARA: MODELO ACTUAL / CURRENT MODEL