



**TSURUMI PUMP**

# *Float Switches*

**MC**  
**MF**  
**RF**



# Level Sensor MC

for sensing water levels



## Features

- Simple structure made of a ball float with a shock absorber wrapped around it
- Rugged construction withstanding impact from collision with the tank walls or piping
- Assures trouble-free operations in the water containing any types of suspended solids including scum-filled wastewater
- Switching on and off can be made at steadier angle than mercury type float switches
- Contacts switchable, "a" (normally-open) or "b" (normally-close), at will

## Applications

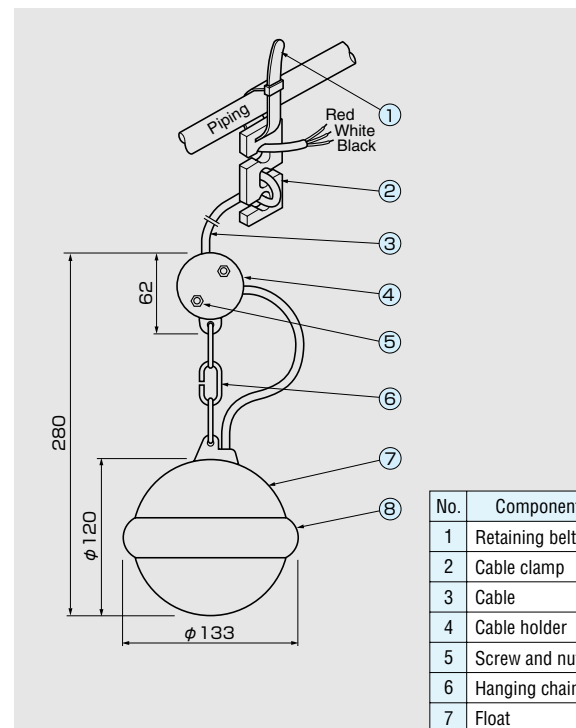
- Automatic pumping of the wastewater containing lots of scum and suspended solids
- For sensing alert water levels like high water level or lower water level

Conductor color	In the air	Submerged	Contact
Red-Black	off (open)	on (closed)	"a" (normally-open)
Red-White	on (closed)	off (open)	"b" (normally-close)

In the air		Submerged	
White B	Black A	White B	Black A

## Dimensions and Structure (mm)



No.	Components	Material
1	Retaining belt	Nylon
2	Cable clamp	ABS Resin
3	Cable	PVC
4	Cable holder	ABS Resin
5	Screw and nut	304 Stainless Steel
6	Hanging chain	316 Stainless Steel
7	Float	ABS Resin
8	Shock absorber	ABS Resin

## Standard Specifications

Model		MC-2
Electric characteristics	Breaking capacity	50VA AC
	Max. current	2A AC
	Working voltage	30V AC
Switch	Contact	c <sup>®</sup>
	Type	Microswitch
Mechanical characteristics	Proof pressure (static)	98kPa (1.0 kgf/cm <sup>2</sup> )
	Working temperature range	0 to 50°C
Cable	Cores × area	3 × 0.75mm <sup>2</sup>
	Outside diameter	7.6mm
	Standard length	6, 10, 15, 20, 25, 30m
Weight	1,087g (Float only)	

※ Usable either at contact "a" (normally-open) or contact "b" (normally-close).

# Mini-Float Sensor MF

for sensing water levels



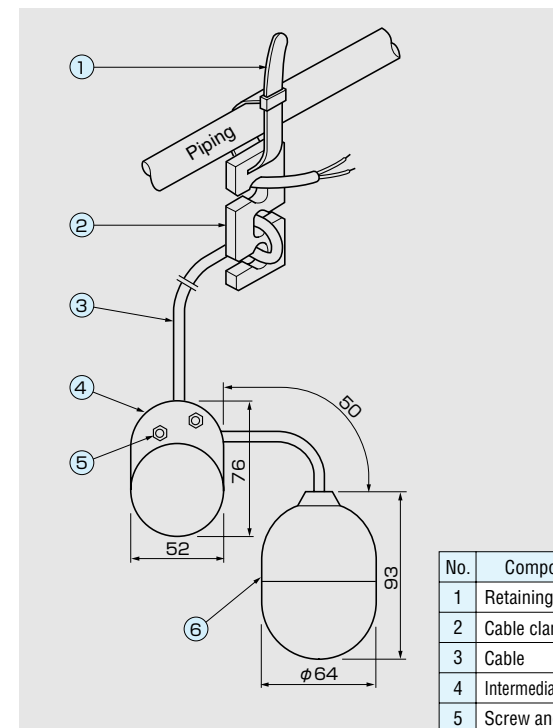
## Features

- Float cut down to the smallest possible size
- Available in two types; contact "a" (normally-open) and contact "b" (normally-close)
- Ideal for a maximum/minimum water-level alert system
- Two floats usable in case the sensor is connected to the control panel for automatic pump operations

## Applications

- Automatic pumping of water, wastewater, etc.
- Ideal for sensing alert water levels like high water level or lower water level

## Dimensions and Structure (mm)



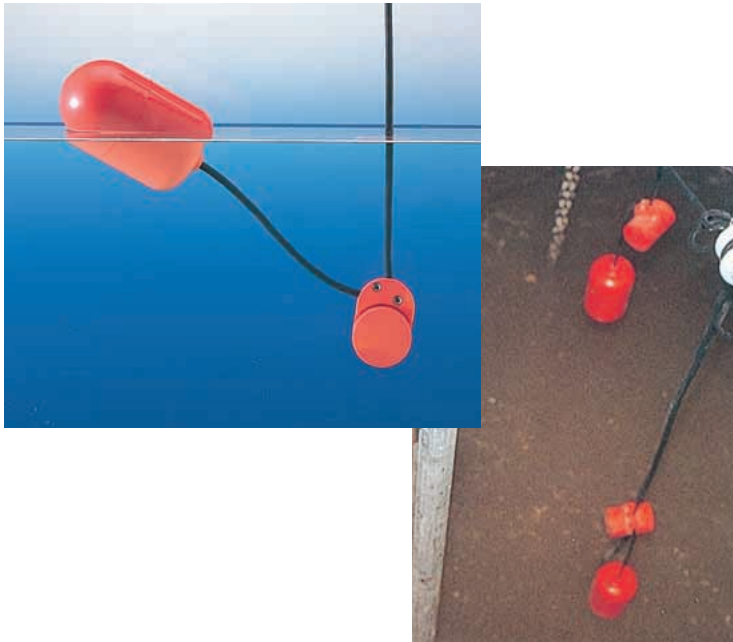
No.	Components	Material
1	Retaining belt	Nylon
2	Cable clamp	ABS Resin
3	Cable	CSPE
4	Intermediate weight	ABS Resin
5	Screw and nut	304 Stainless Steel
6	Float	ABS Resin

## Standard Specifications

Model		MF-3	
		MF-3A	MF-3B
Electric characteristics	Breaking capacity	50VA AC	
	Max. current	2A AC	
	Working voltage	30V AC	
Switch	Contact	"a" (normally-open)	"b" (normally-close)
	Type	Microswitch	
Mechanical characteristics	Proof pressure (static)	98kPa (1.0 kgf/cm <sup>2</sup> )	
	Working temperature range	0 to 50°C	
Cable	Cores × area	2 × 0.3mm <sup>2</sup>	
	Outside diameter	5.3mm	
	Standard length	6, 10, 15, 20, 25, 30m	
Weight	98g (Float only)		

# Snap-Action Float Sensor RF

for sensing water levels



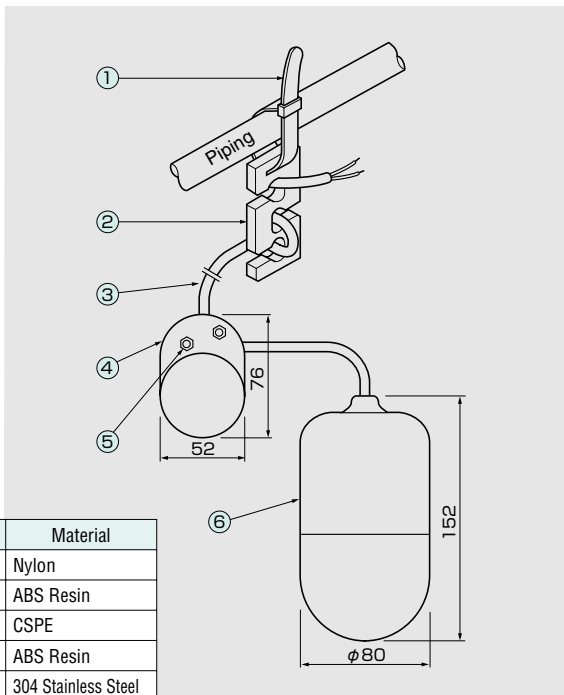
## Features

- Detecting cut-in and cutout water levels with single float
- Snap on-off action ensures stable operations in clean water, wastewater or liquids containing suspended matter or oil and fat
- Hanging length readily adjustable with cable clamp

## Applications

- Automatic pumping of water, wastewater, etc.
- For sensing alert water levels like high water level or lower water level

## Dimensions and Structure (mm)



No.	Components	Material
1	Retaining belt	Nylon
2	Cable clamp	ABS Resin
3	Cable	CSPE
4	Intermediate weight	ABS Resin
5	Screw and nut	304 Stainless Steel
6	Float	ABS Resin

## Standard Specifications

Item		Model	RF-5
Electric characteristics	Breaking capacity		50VA AC
	Max. current		2A AC
	Working voltage		30V AC
Switch	Contact		"a" (normally-open)
	Type		Microswitch
Mechanical characteristics	Proof pressure (static)		98kPa (1.0 kgf/cm <sup>2</sup> )
	Working temperature range		0 to 50°C
Level control			Min. 400mm, Max. 3,000mm
Cable	Cores × area		2×0.5mm <sup>2</sup>
	Outside diameter		6.5mm
	Standard length		6, 10, 15, 20, 25, 30m
Weight			207g (Float only)

We reserve the right to change specifications and designs herein for improvement without prior notice.

**TSURUMI**  
MANUFACTURING CO.,LTD.

Your Dealer

Chainaris Phuket Engineering Co., Ltd.

63/13 Moo.2, T.Vichit, A.Muang Phuket 83000

Tel. 076-513100-3

Fax. 076-513105

[www.chainaris.co.th](http://www.chainaris.co.th)

