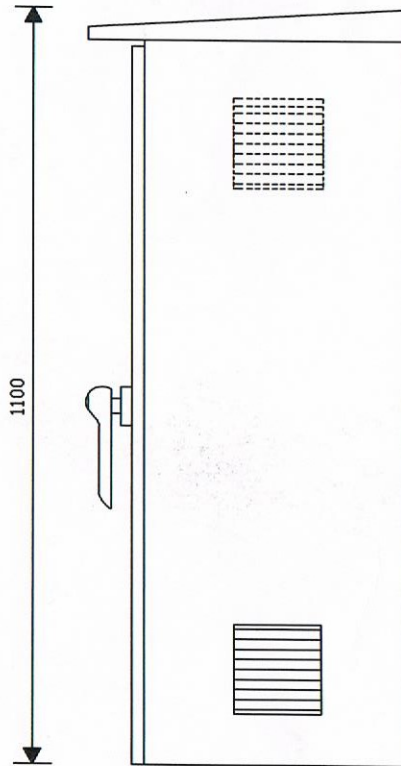


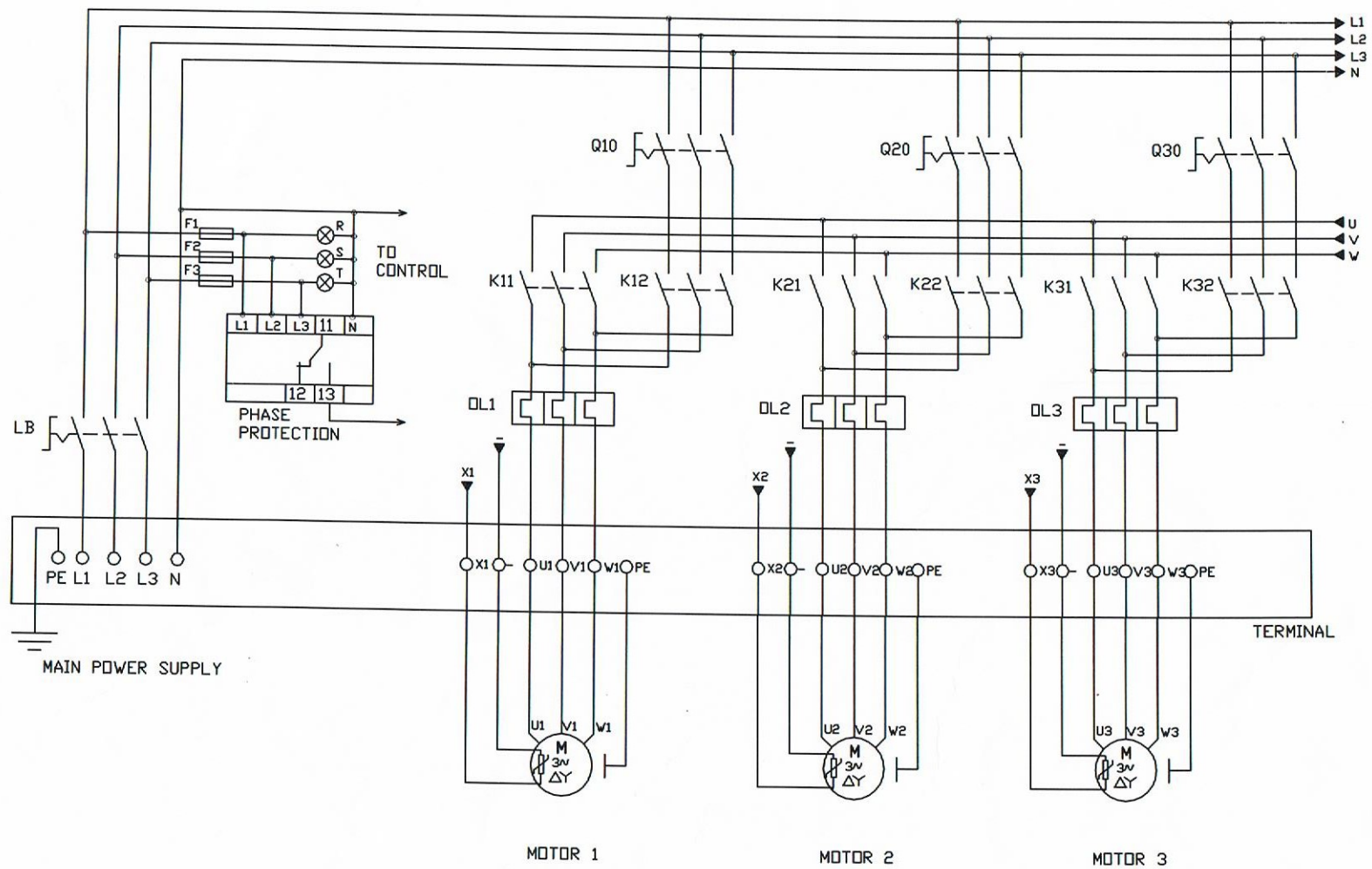
FRONT VIEW



SIDE VIEW

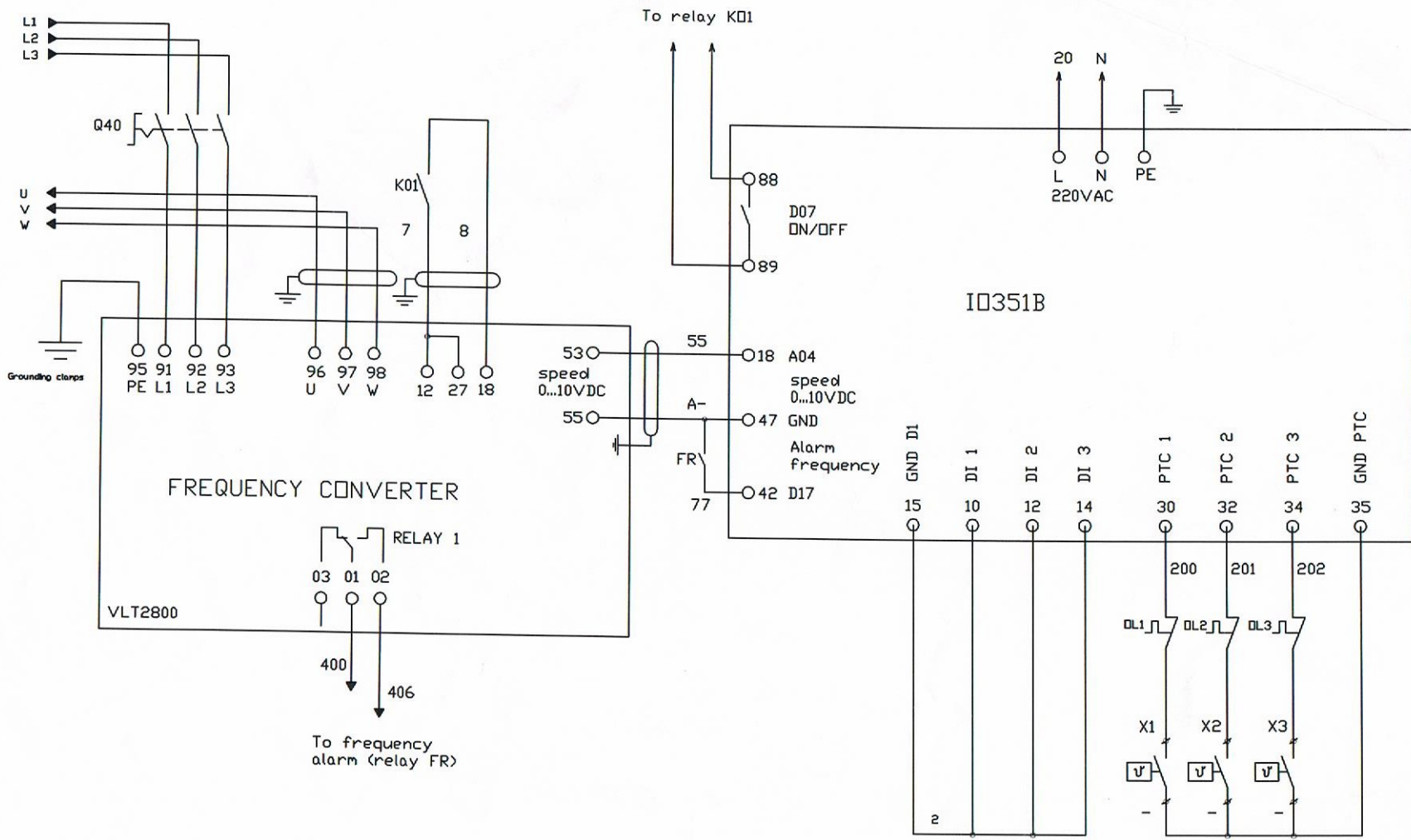
**NOTE**

ITEM	SYMBOL	DESCRIPTION
1	R	PHASE R
2	S	PHASE S
3	T	PHASE T
4	L1	HIGH LEVEL
5	L2	LOW LEVEL
6	L3	CONTROL ON
7	L4	ALARM MPC
8	L5	FREQ ALARM
9	L6	FREQ RUN 1
10	L7	MAIN RUN 1
11	L8	OVERLOAD 1
12	L9	FREQ RUN 2
13	L10	MAIN RUN 2
14	L11	OVERLOAD 2
15	L12	FREQ RUN 3
16	L13	MAIN RUN 3
17	L14	OVERLOAD 3
18	SL1	OFF-CONTROL-ON
19	SL2	MUTE ALARM
20	BZ	ALARM BUZZER
21	LB	LOAD BREAK SWITCH
22	MPC	MPC CONTROLLER



**GRUNDFOS(Thailand)Limited.**  
 92 Chaloen Phrakitat Rama 9 Road  
 Kwang Dokmai, Khet Pravej, Bangkok 10260  
 Thailand. Phone +662 725 8999

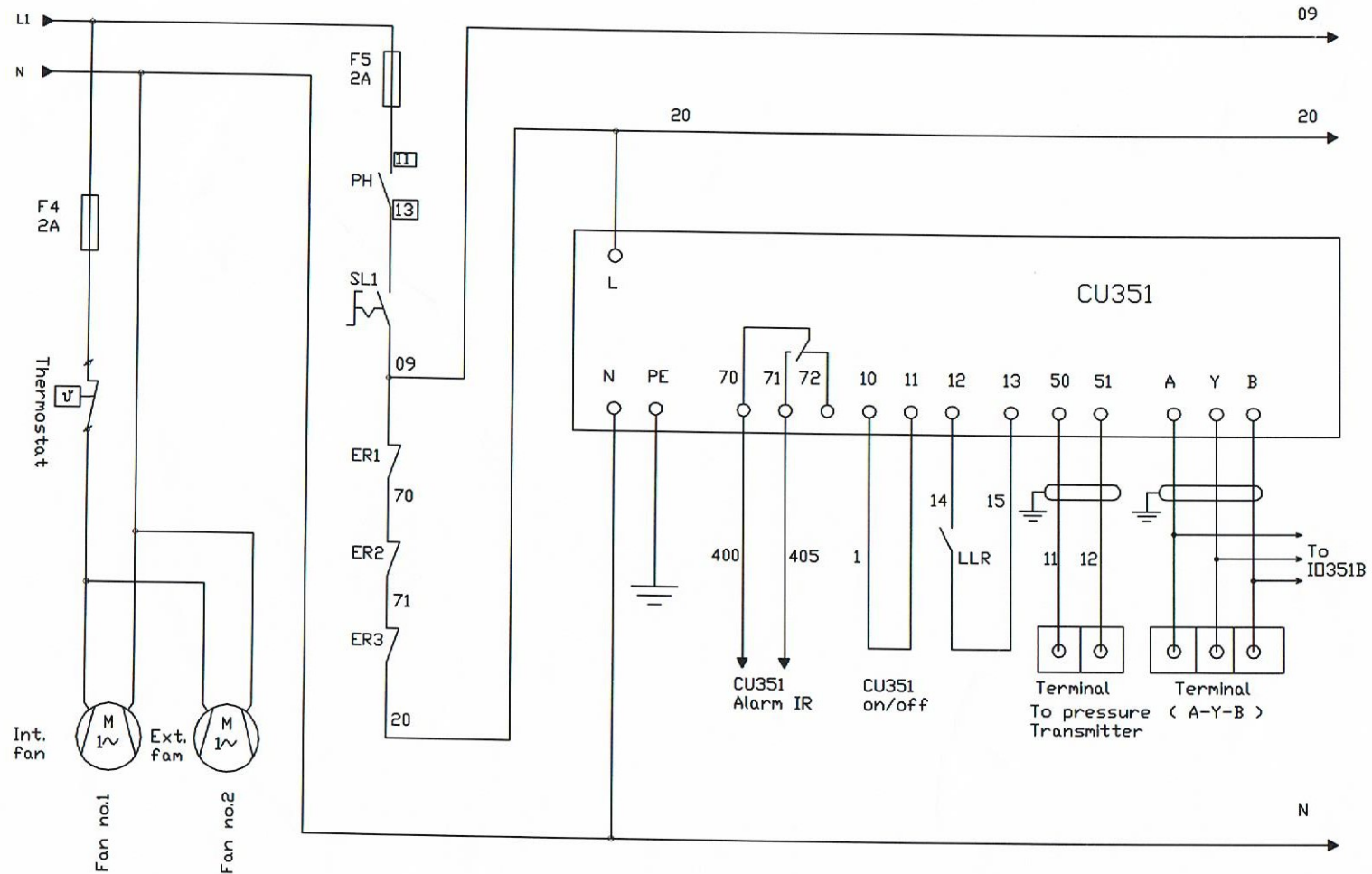
TITLE HYDRO MPC-F 3PUMP (DOL)		DRAWING NO GTH-EE-2008-011
PROJELT	DATE 17-09-08	PAGE 02

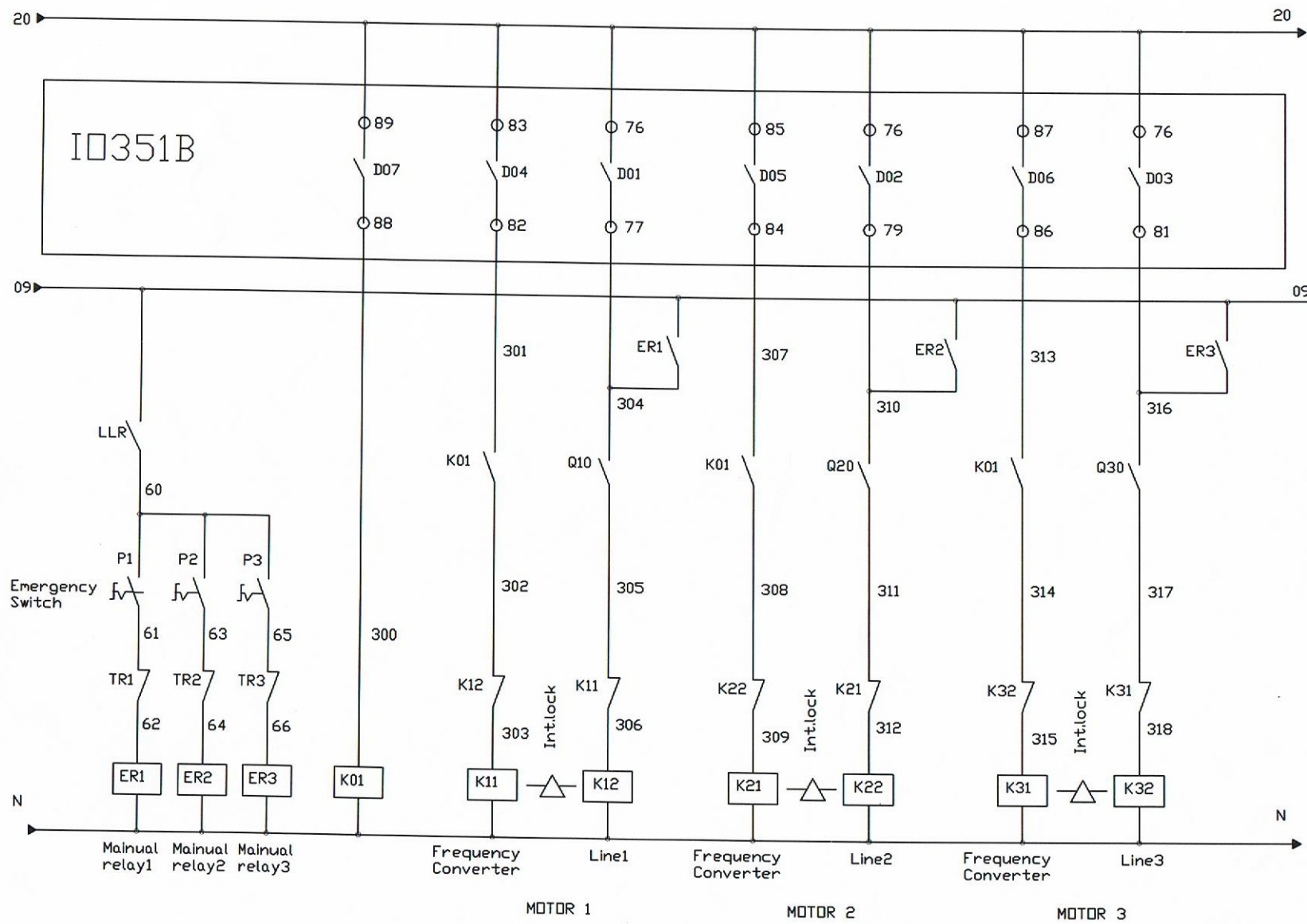


**GRUNDFOS(Thailand)Limited.**  
 92 Chaloe Phrakitat Rama 9 Road  
 Kwang Dokmai, Khet Pravej, Bangkok 10260  
 Thailand. Phone +662 725 8999

TITLE		DRAWING NO
HYDRO MPC-F 3PUMP (DOL)		GTH-EF-2008-012
PROJELT	DATE	PAGE
	17-09-08	03

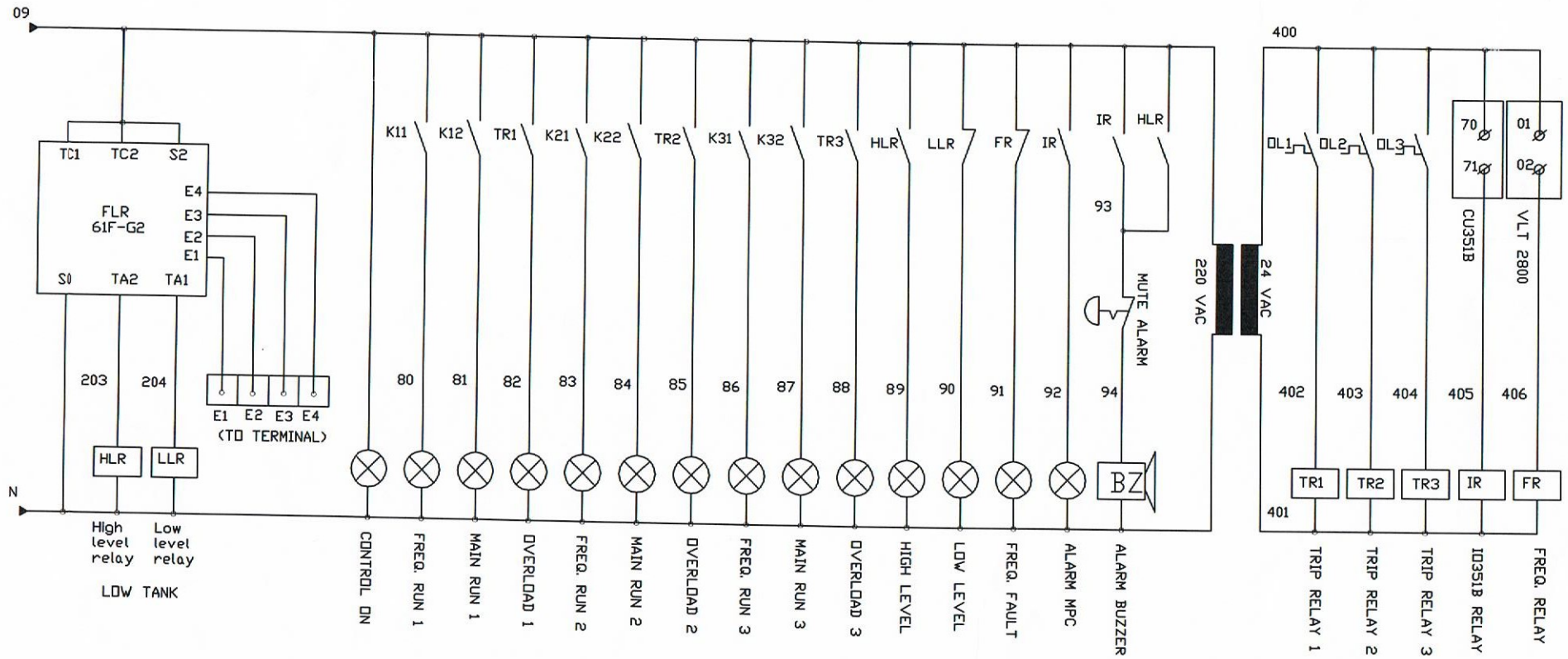






**GRUNDFOS(Thailand)Limited.**  
 92 Chaloeam Phrakitat Rama 9 Road  
 Kwang Dokmai,Khet Pravej,Bangkok 10260  
 Thailand. Phone +662 725 8999

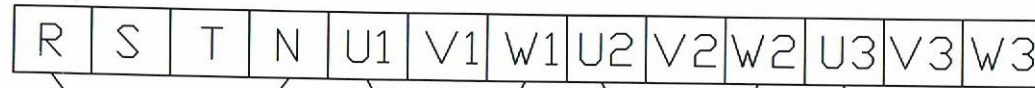
TITLE HYDRO MPC-F 3PUMP (DOL)		DRAWING NO GTH-EE-2008-014
PROJELT	DATE 17-09-08	PAGE 05



**GRUNDFOS(Thailand)Limited.**  
 92 Chaloem Phrakitat Rama 9 Road  
 Kwang Dokmai, Khet Pravej, Bangkok 10260  
 Thailand. Phone +662 725 8999

TITLE	HYDRO MPC-F 3PUMP (DOL)		DRAWING NO
			GTH-EE-2008-015
PROJELT	DATE	PAGE	
	17-09-08	06	

TERMINAL



MAIN POWER  
3x380V.50HZ.

PUMP 1

PUMP 2

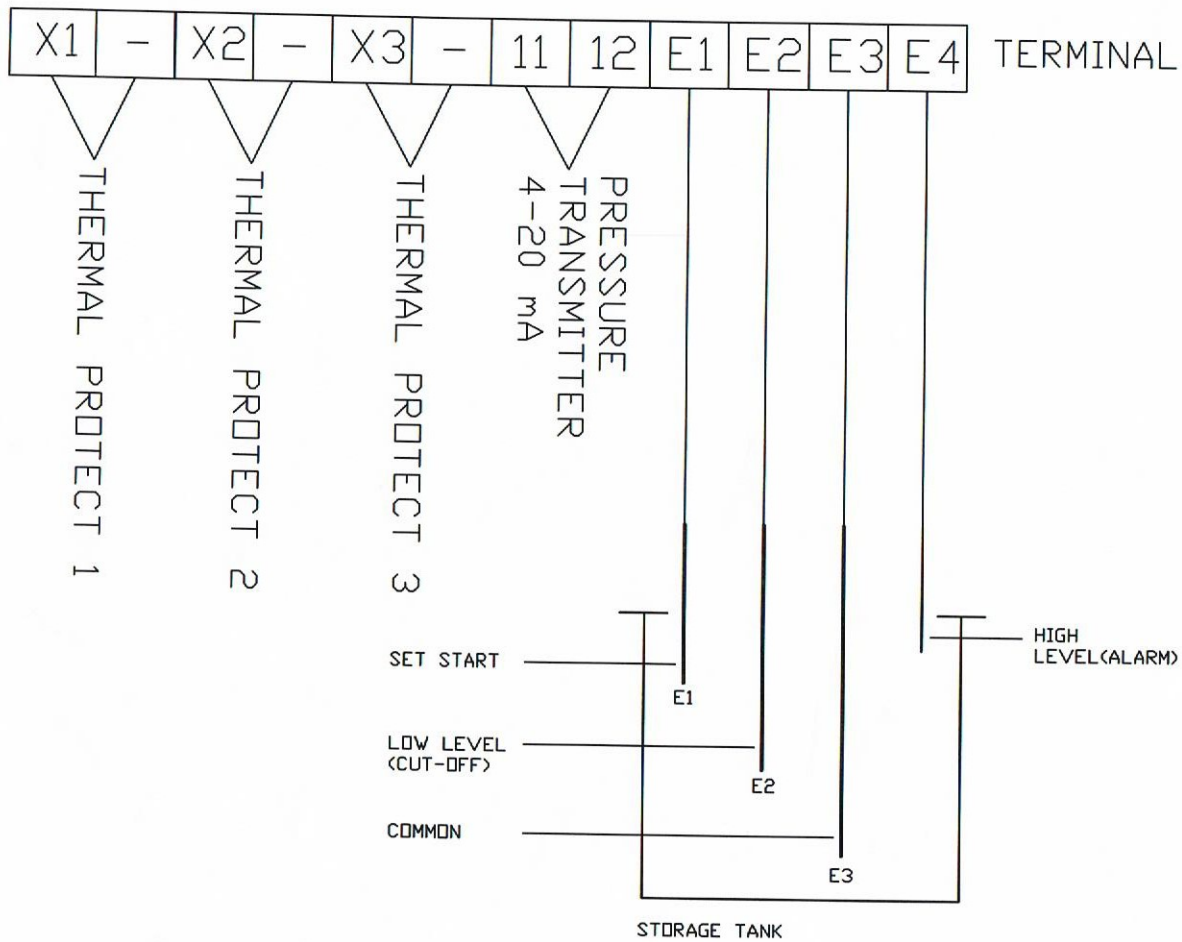
PUMP 3



**GRUNDFOS(Thailand)Limited.**  
92 Chaloem Phra kitat Rama 9 Road  
Kwang Dokmai, Khet Pravej, Bangkok 10260  
Thailand. Phone +662 725 8999

TITLE		DRAWING NO
HYDRO MPC-F 3PUMP (DOL)		GTH-EE-2008-016
PROJELT	DATE	PAGE
	17-09-08	07

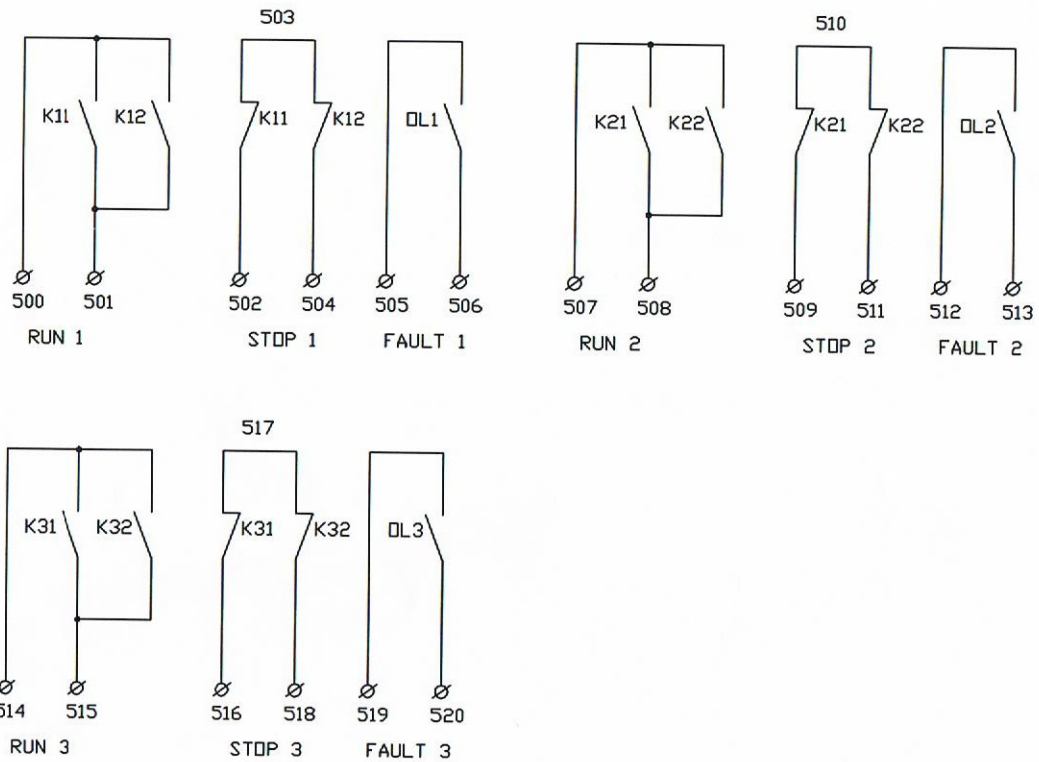




**GRUNDFOS(Thailand)Limited.**  
 92 Chaloen Phrakiat Rama 9 Road  
 Kwang Dokmai, Khet Pravej, Bangkok 10260  
 Thailand. Phone +662 725 8999

TITLE HYDRO MPC-F 3PUMP (DOL)		DRAWING NO GTH-EE-2008-017
		PAGE 08
PROJELT	DATE 17-09-08	





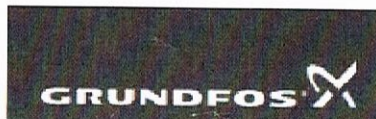
500	501	502	504	505	506	507	508	509	511	512	513	514	515	516	518	519	520	A	Y	B
-----	-----	-----	-----	-----	-----	-----	-----	-----	-----	-----	-----	-----	-----	-----	-----	-----	-----	---	---	---

Free Contact  
Pump1 status

Free Contact  
Pump2 status

Free Contact  
Pump3 status

Grundfos Bus  
Communication



**GRUNDFOS(Thailand)Limited.**  
 92 Chaloem Phrakitat Rama 9 Road  
 Kwang Dokmai, Khet Pravej, Bangkok 10260  
 Thailand. Phone +662 725 8999

TITLE	HYDRO MPC-F 3PUMP (DOL)		DRAWING NO
			GTH-EE-2008-018
PROJELT	DATE	PAGE	
	17-09-08	09	