



HCP 3000 Series

3" CLASS SINGLE- AND 3-PHASE PUMPS
2-7 HP

Your Dealer:

Chainaris Phuket Engineering Co., Ltd.

63/13 Moo.2, T.Vichit, A.Muang Phuket 83000

Tel. 076-513100-3 Fax. 076-513105

www.chainaris.co.th



HARNESS THE POWER.



Modular (removable) strainer basket

Totally enclosed fan-cooled (TEFC)
motor in all models

Chemical-resistant Viton® seal

2.5" x 3" inlet and outlet unions



3" ANSI Standard
flanged connection
allows strainer
basket to be
removed and
mounted remotely



Digital control interface
can be rotated on the
pump or detached and
wall-mounted for
convenient access and
viewing. *(VS model only)*



VARIABLE-SPEED MODEL

HCP 3000 Series pumps offer best-in-class efficiency and versatility for a wide range of pools.

HCP 3000 Series pumps are raising the bar for commercial pump capabilities, setting a new flow rate standard for the 3" union class. With a wide selection of power options (from 2 to 7 HP) available in single- and 3-phase motors, as well as a variable-speed model, they're the most efficient solution for a variety of pools.



UNPARALLELED PERFORMANCE

HCP 3000 Series pumps are the first 3" pumps to achieve hydraulic performance of more than 250 gallons per minute at 60' of head (7 HP model), saving more energy than any comparable pump on the market.



LONGER LIFE AND LOWER MAINTENANCE

TEFC motors in all models, in addition to a chemical-resistant Viton seal, ensure less wear-and-tear and minimize potential down time. Oversized strainer baskets reduce daily cleaning and maintenance.



SIMPLE, VERSATILE INSTALLATION

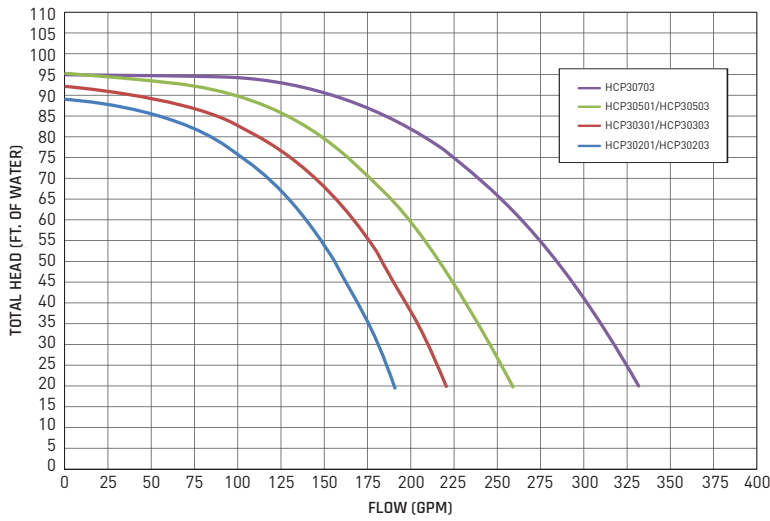
The wide variety of power options and the detachable, modular strainer basket enable HCP 3000 Series pumps to deliver unmatched versatility, allowing for simple drop-in installation in virtually any pool application.

TECHNICAL SPECIFICATIONS

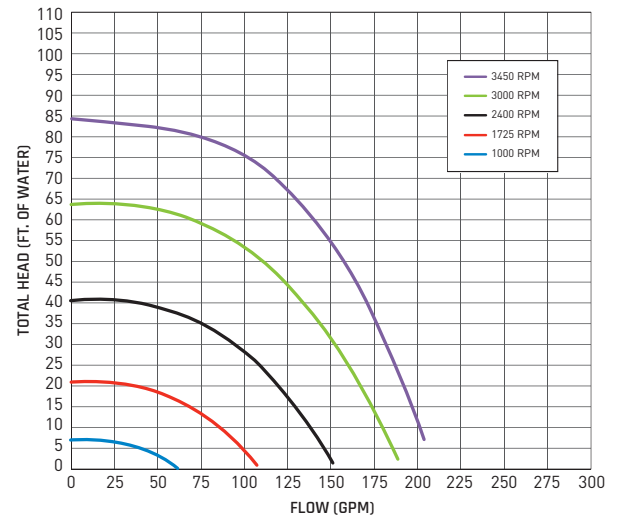
PART NUMBER	RATED HORSEPOWER	VOLTAGE	HZ	RATED CURRENT (AMPS)	LIMITED WARRANTY	CARTON QTY	CARTON WEIGHT (LBS.)
HCP3020VSP	2.7	230V Single Phase, Variable Speed	50/60	10.9	3 years	1	65
HCP30201	2.0	208-230V Single Phase, Single Speed	50/60	8.7-7.9	1 year	1	91
HCP30301	3.0	208-230V Single Phase, Single Speed	50/60	11.7-11.5	1 year	1	96
HCP30501	5.0	208-230V Single Phase, Single Speed	60	21.0-20.0	1 year	1	102
HCP30203	2.0	208-230/460V 3-Phase, Single Speed	50/60	7.8-7.6/3.8	1 year	1	91
HCP30303	3.0	208-230/460V 3-Phase, Single Speed	50/60	9.2-9.0/4.5	1 year	1	96
HCP30503	5.0	208-230/460V 3-Phase, Single Speed	50/60	13.6-13.2/6.6	1 year	1	102
HCP30703	7.0	230/460V 3-Phase, Single Speed	50/60	17.2-8.6	1 year	1	107

PERFORMANCE DATA

HCP 3000 SERIES PERFORMANCE DATA 60HZ (SINGLE- AND 3-PHASE MODELS)



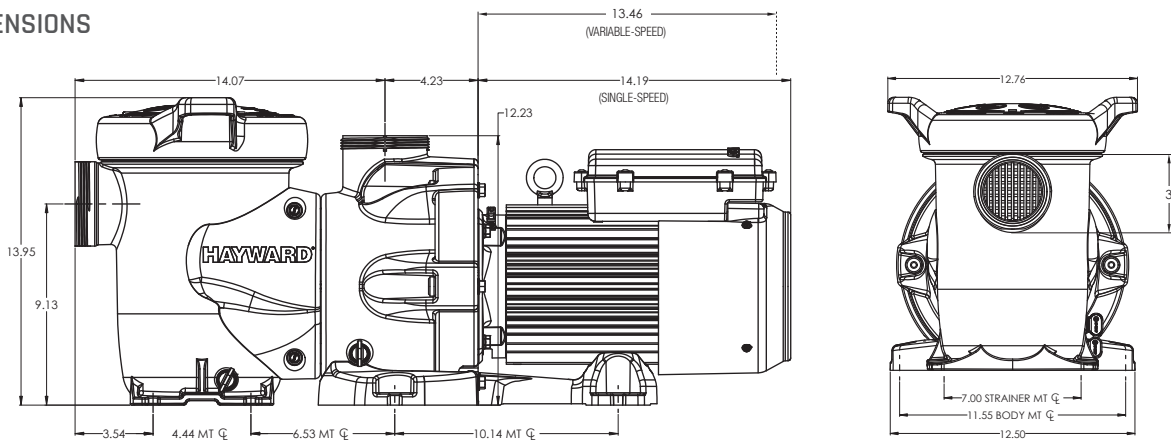
HCP3020VSP PERFORMANCE DATA



SPECIFICATIONS

PART NUMBER			PUMP OUTPUT (GPM) VS. TOTAL RESISTANCE TO FLOW (PER FT OF HEAD)					
			40	50	60	70	80	90
SINGLE PHASE	3-PHASE	HP	FLOW RATE (GPM)					
HCP30201	HCP30203	2.0	170	156	140	120	85	—
HCP30301	HCP30303	3.0	198	185	166	145	115	40
HCP30501	HCP30503	5.0	232	217	200	179	150	100
—	HCP30703	7.0	303	285	265	240	210	155

DIMENSIONS



» haywardcommercialpool.com » 1-800-657-2287

Hayward, Hayward & Design and the H logo are registered trademarks of Hayward Industries, Inc. All other trademarks not owned by Hayward are the property of their respective owners. Hayward is not in any way affiliated with or endorsed by those third parties. © 2017 Hayward Industries, Inc.

LITHCP300017C

