

PUMPING ON ANY SCALE



STRENGTH FOR YOUR SYSTEMS

Submersible pumps: from 5,5 to 520 kW and 9 frame sizes

The Grundfos S range consists of submersible sewage pumps fitted with a channel or SuperVortex impeller. The number of motor sizes – from 5,5 to 520 kW – and models is wide, but the new, updated range provides an easier overview: We have divided the range into 9 frame sizes – each of them available with many different motors.

S pumps form the backbone in many sewage systems. They get chosen for their strength, their durability, and for innovative features such as the SmartTrim impeller clearance adjustment system.

When you design systems, we invite you to draw on our experience. We can help you ensure the right sizing, avoid structural design errors, and so on. Often, our recommendations can save you substantial sums on construction. The sooner you call Grundfos, the sooner we can make our recommendations.

For full details on your options, individual pumps, sizing, etc., go online. Everything you need to know is there.

Begin at: grundfos.com/water-utility



THE S RANGE AT WORK

For unscreened raw sewage and raw water

S pumps are designed to handle unscreened raw sewage or raw water in wastewater/water infrastructure and industrial applications.

The scope of the S range lets it be used for sewage/liquid handling on any scale. Popular applications include sewage pumping stations – both local and main stations – but clean-water systems and industries also find uses for the power of S pumps.

Stainless steel versions, available with motors up to 21 kW, are excellent for corrosive liquids.

Typical application areas

- Sewage pumping stations
- Wastewater treatment plants
- Raw/potable water intake and distribution
- Industry/corrosive liquids
- Large-scale buildings
- Building facilities (car parks, hotel facilities, etc.)

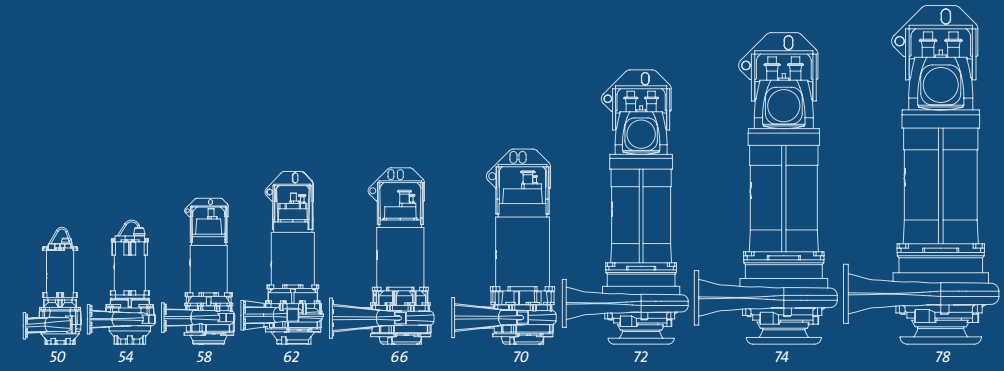
S pumps are suitable in submerged installations for both temporary and permanent use, whereas dry-installed pumps can be installed both vertically and horizontally. Necessary installation accessories are auto-coupling, base stand, and ring stand available for each individual pump.



S pumps are often found in large-scale pumping stations.



S pumps can be used for dry installation when fitted with cooling jackets.



S PUMP FEATURES

– and what they do for you



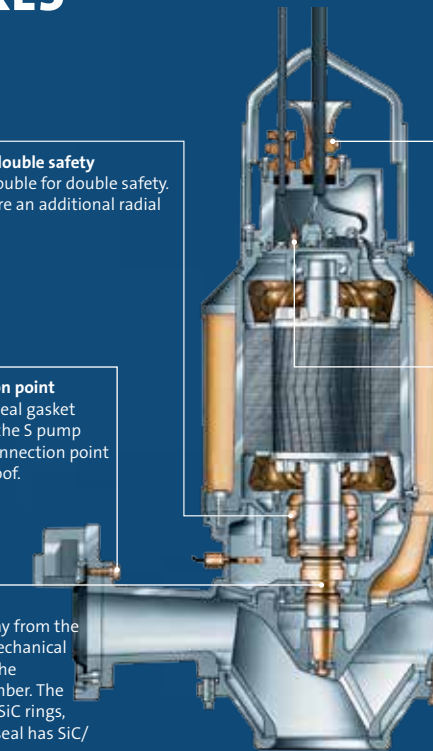
Double bearings for double safety
Lower bearings are double for double safety. Certain models feature an additional radial bearing.



No leaks at connection point
The Grundfos SmartSeal gasket system ensures that the S pump and auto-coupling connection point is completely leak-proof.



No leaks into motor
The liquid is kept away from the motor by a double mechanical shaft seal system in the intermediate oil chamber. The primary seal has SiC/SiC rings, while the secondary seal has SiC/carbon rings.



No leaks at cable entry point
The cable entry point is watertight, preventing liquid from entering at this often vulnerable spot. Rounded edges also prevent cable wear.



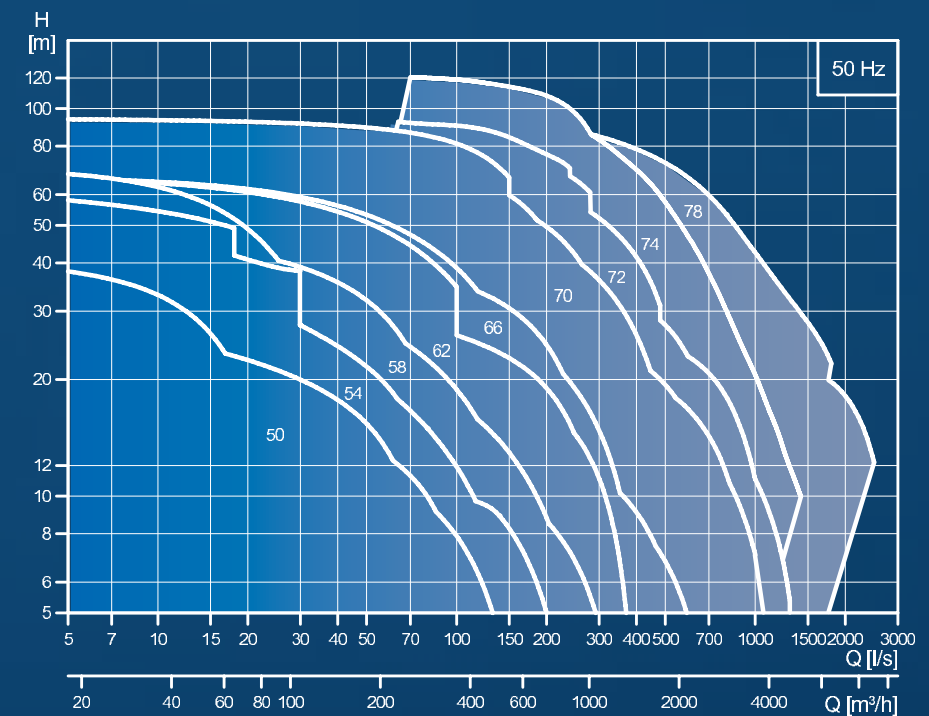
Prevent leakage-related damage
A moisture detector monitors the motor enclosure and automatically cuts off the power in the event of leakage.



Maintain top efficiency with minimum effort
The patented SmartTrim system lets you adjust the impeller clearance by turning a few screws – maximum pump efficiency can be restored in a moment.



Performance overview



GRUNDFOS WATER UTILITY – OPTIMISED WATER SOLUTIONS

Grundfos Water Utility is a full-range supplier of intelligent pumps and systems for all water supply and wastewater applications. We optimise pumping solutions to provide maximum reliability and resource efficiency for our customers. Our solutions are made with tried and tested technology and our expertise is part of any delivery.

We offer solutions and expertise within the following applications:

- Raw Water Intake
- Drinking Water Treatment
- Water Distribution
- Wastewater Transport and Flood Control
- Wastewater Treatment

Our products are the result of decades of engineering expertise. Supported by a worldwide service network. Visit grundfos.com/water-utility for more.

Your Dealer:

Chainaris Phuket Engineering Co., Ltd.

63/13 Moo.2, T.Vichit, A.Muang Phuket 83000

Tel. 076-513100-3 Fax. 076-513105

www.chainaris.co.th

